

MASTER CATALOG



Quality Is Choice

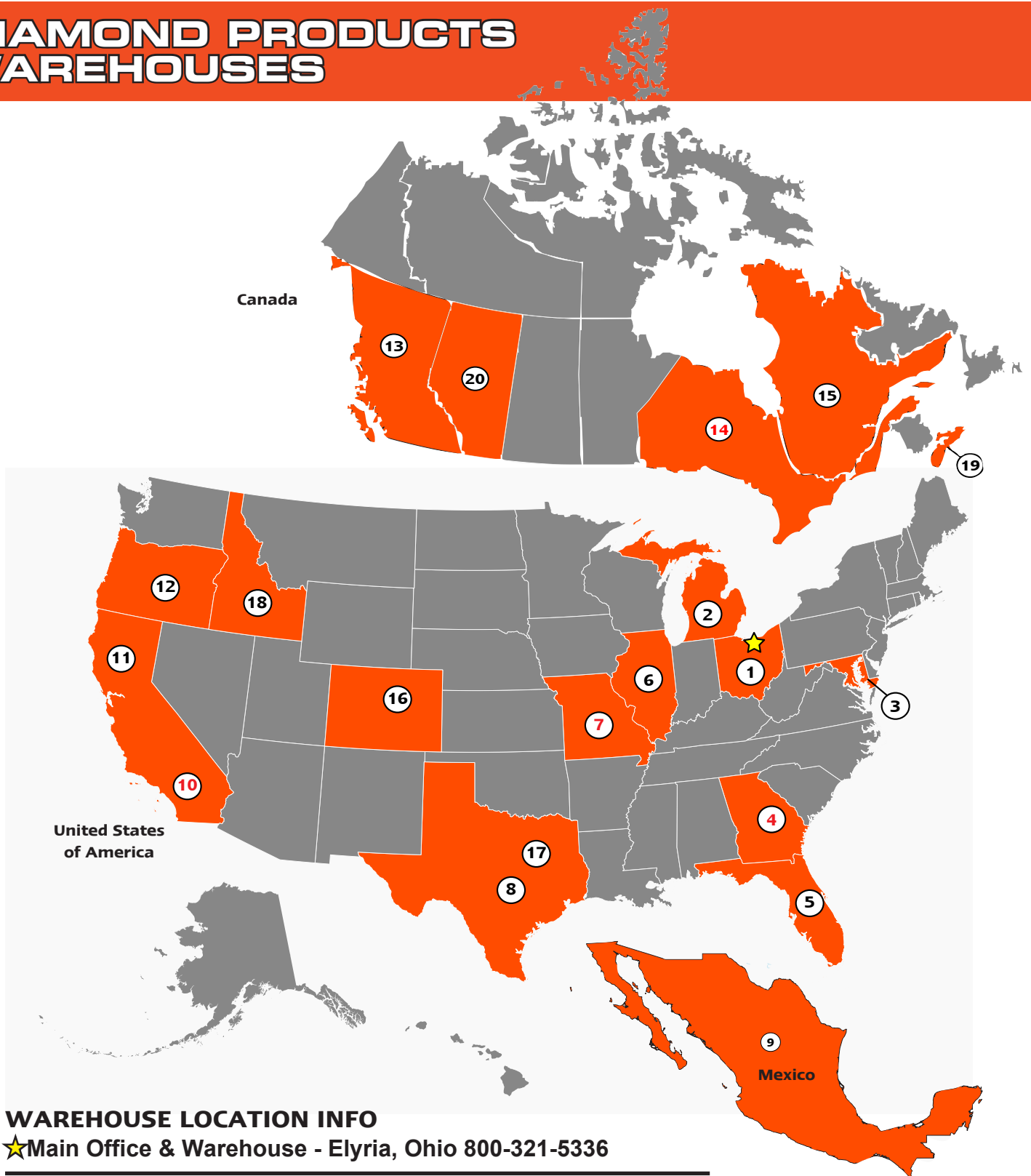
800-321-5336

diamondproducts.com



U.S.A. Pricing
Valid January 6, 2020
to January 6, 2021

DIAMOND PRODUCTS WAREHOUSES



WAREHOUSE LOCATION INFO

★ Main Office & Warehouse - Elyria, Ohio 800-321-5336

- | | |
|--|---|
| 1. Cleveland, OH - 216-712-6973 | 11. Hayward, CA - 510-264-9199 |
| 2. Kentwood, MI - 616-554-4686 (Specialty Equipment) | 12. Portland, OR - 503-232-3480 |
| 3. Annapolis Junction, MD - 800-342-4750 | 13. Coquitlam, BC Canada - 604-628-7272 |
| 4. Atlanta, GA - 888-472-2930 - Regional Warehouse | 14. Mississauga, ON Canada - 905-565-1355 - Regional Warehouse |
| 5. Orlando, FL - 407-896-1800 | 15. L'Assomption, PQ Canada - 514-990-2262 |
| 6. Franklin Park, IL - 847-678-9543 | 16. Aurora, CO - 303-373-2121 |
| 7. Blue Springs, MO - 877-990-1385 - Regional Warehouse | 17. Dallas, TX - 972-247-8871 |
| 8. Stafford, TX - 281-491-0351 | 18. Nampa, ID - 800-225-0142 (Grooving & Grinding Division) |
| 9. Monterrey, Mexico - +52 (81) 8307-7477 | 19. Oxford, NS Canada - 888-715-5111 |
| 10. Orange, CA - 714-282-7816 - Regional Warehouse | 20. Calgary, AB Canada - 403-287-0311 |



Table of Contents	1-7
Literature and Merchandising	8
Point of Purchase Products Marketing Aids	9
Aggregate Map of the USA and Canada	10
Diamond Cutting Process	11
Diamond Blade Information	12
Website and Online Information	13
RPM Charts	14
Electrical Information	15



WET BLADES

Imperial Purple Cured Walk Behind Wet Blades	16
Heavy Duty Orange Cured Walk Behind Wet Blades	17
Premium Black Cured Walk Behind Wet Blades	18
Pro Blue Cured Walk Behind Wet Blades	19
Super Premium Silver Cured Walk Behind Wet Blades	20
Mega Premium Green Cured Walk Behind Wet Blades	21
Giga Titanium Cured Walk Behind Wet Blades	22
Imperial Purple Asphalt/Green/Overlay Walk Behind Wet Blades	23
Heavy Duty Orange Asphalt/Green/Overlay Walk Behind Wet Blades	24
Premium Black Asphalt/Green/Overlay Walk Behind Wet Blades	25
Pro Blue Asphalt/Green/Overlay Walk Behind Wet Blades	26
Super Premium Silver Asphalt/Green/Overlay Walk Behind Wet Blades	27
Wall Saw/Hand Saw Blade Information and Specifications	28
Hydraulic Hand Saw Blades	29
Wall Saw Blades - Premium Black, Pro Blue	30
Wall Saw Blades - Super Premium Silver	31
Crack Saw & Loop Blades	32
Bevel & Refractory Blades	33
Joint Widening Blades	34
Chamfer & Grinding Blades	35
Floor Grinding Heads	36-37
Diamond Wire & Accessories	38-39
Ring Saw Blades	40

DRY BLADES

Dry Blade Specification Charts & Blade Bushings	41
High Speed Dry Blades	42-43
High Speed Ultimate Blades	44
High Speed Specialty Blades	45
High Speed Turbo Blades	46-47
X-Line Turbo Blades	48
High Performance Turbo Blades	49
Small Diameter Blades	50-51
Masonry Blades	52-53
Tuck Point Blades & V-Crack Blades	54-55
Cup Grinders - Single & Double Row & Low Profile Cups	56-57
Turbo Cup Grinders	58-59
First-Cut Blades	60-61
First-Cut Skid Plates & True Early Entry System Information	62-63
Dry Walk Behind Blades	64-65
Tile Blades	66-67
Core Prep Surface Preparation Products	68-71
Core Prep Floor Grinders	72-75
Core Lock Diamond Inserts	76
HTC Compatible Diamond Inserts	77



Tile Saws - CC600T, CC900TE, CC1000T	80-81
CC300M Masonry Saw	83
CC500MXL2 Masonry Saw	84-85
CC800M Block Saw	86-87
CC1000 Mini Joint Cutting Saw	88
CC1100XL Small Joint Cutting Saw	89
CC150XL-EE First-Cut True Early Entry Saw	90
CC190PRO-EE First-Cut True Early Entry Saw	91
CCE0900 Portable Saw	92
CC1200XL Portable Walk Behind Saw	93
CC1300XL Small Walk Behind Saw	94-95
CC1500E Modular Walk Behind Saw	96-97
CC1800XL Medium Walk Behind Saw	98-99
CC2500 Medium Walk Behind Saw	100-101
CC3500 Walk Behind Saw	102-103
CC3500E Electric Walk Behind Saw	104-105
CC5555GK Rear Pivot Saw	106-107
CC6561GK Gas Large Walk Behind Saw	108-109
CC6571D Liquid Cooled Large Diesel Walk Behind Saw	110-111
CC7574DD In-Line Deutz Turbo Diesel Walk Behind Saw	112-113
CC7574DK In-Line Kubota Turbo Diesel Walk Behind Saw	114-115
CC9074DK Deep Cut Saw	116-117
CC7874KT4 EZ Rider Saw	118-119
CC8574DD Rider Saw	120-121
C14, C14PRO & C16 Electric High Speed Hand Saws	122-123
WEKA High Cycle Hand Held Equipment	124-125
Hydraulic Hand Saws	126-127
Mini-Dragon Electric Ring Saw	128
Dragon Ring Saws - Hydraulic & Electric	129
CSH24 Chain Saw, Weka Chain Saw, Chains and Competition Chains and Bars	130-133
CC1600 Hydraulic Wall Saw	134-135
CC1600 Wall Saw Blade Guards	136-137
Hydrostress Wall Saw Systems - FZ-4S & WZ	138-139
WSE1621 Wall Saw System	140-141
WSE2226 Walk Saw System	142-143
Hydrostress SB, WCH14 & WCE14 Wire Saws	144-145
Hydrostress CCH25/CCE25 Circular/Plunge Wire Saws	146
WS25 Wire Saw System	147
WS30-XLE High-Cycle Wire Saw	148
Wire Saw Accessories	149
WS50-XLE High-Cycle Wire Saw	150-151



CORE BORE TABLE OF CONTENTS



Core Bore Bit Information	154
Star Blue & Standard Gold Wet Bore	155
Heavy Duty Orange Wet Bore	156
Premium Black Wet Core Bore	157
Large Diameter Heavy Duty Orange & Premium Black	158-159
Professional Wet Core Bore	160
Precast Wet Core Bore	161
Turbo Wet Core Bore	162
Specialty Turbo Core Bore	163
Pro Specialty - Great White and Commander Core Bore	164
Thinwall Wet Core Bore	165
Dry Hole Saws & Dry Vacuum Core Bore	166-167
Threaded Core Bits, Barrels and Caps	168-169
Carbide Rebar, Carbide Plate Cutter & Carbide Wood Core Bore	170
Specialty Core Bore Bits - Walk Duct, Step Bits & Pancake	171-172
Expansion Adapters & Information	173
Diamond Core Bore Segments and Crowns	174-177
Core Bore Bit Information	178
Core Bore Bit Resegmenting	179



Core Rig Basics	182
M1-AA-15 Rigs	183
M-1 Core Bore Rigs	184-185
M-2 Heavy Duty Core Bore Rigs	186-187
M-3 Stair Core Bore Rigs	188-189
M-4 Portable Core Bore Rigs	190-191
M-5 Quick Disconnect Core Bore Rigs	192-193
M-5PRO Professional Quick Disconnect Core Bore Rigs	194-195
M-6 Large Hydraulic Core Bore Rigs	196-197
Hydraulic Motors and Accessories	198-199
Milwaukee & Core Bore Mountable Motors	201
Weka Mountable Motors	202-203
CB515 & Weka Hand Held Motors	204-205
Core Bore Bit Adapters	206
Competition Style Drilling Adapters	207
Core Rig Masts/Columns	208
Core Bore Drilling Extensions	209
Drilling Accessories	210-215
Core Vac Dust Bandits	216-217
Core Vac CV150C Hepa Wet/Dry Dust Control Vacuum	218
Core Vac CV258B, CV258C Dust Containment Vacuums	219
Core Vac CV358B Dust Containment Vacuum	220
Core Vac CV1900AV Dust Containment Vacuum	221
Drilling Accessories- Water Tanks and Trap Rings	222
Hydraulic Power Information	223
Hydraulic Power Units - CB15EXL, CB18BVXL, CB20EXL, CB21HXL	224-225
Hydraulic Power Units - CB35BVXL, CB30EXL, CB40EXL & CB50E	226-227
Hydra-Gen Hydraulic Power System	228
CCSK-70 Open Generator	229
CB74D Skid Mount & CB80DT Trailer Mounted Hydraulic Power Units	230-231
Custom Utility Truck	232-233



Tyrolit Abrasives Icons & Information	234
Abrasives Safety Information	235
Depressed Center Wheels - Cutting & Light Grinding	236-237
Depressed Center Wheels - Grinding	238-239
Super-Thin Cut-Off Wheels	240-241
Super-Thin Cut-Off Wheels	242
Small Diameter Cut-Off Wheels	243
High Speed Cut-Off Wheels with Universal Arbors	244-245
Cut-Off Wheels	246
Flap Discs	247-248
Wire Brushes	249
Wire Wheels	250
Cups, Blocks, Stones & Grinding Wheels	251



CG1 & CG2 Mini-Groovers	252-253
TBG134C Bridge Deck Groover	254
PC1504 Pavement Grinder & Groover	255
PC4505 Pavement Bump Grinder	256-257
PC6004EC Highway Grinder	258-259
CG3R Pavement Groover	260
Warranty Information	261-262



LITERATURE & MERCHANDISING



Master Product Catalog
Full color catalog of diamond tools, abrasives and equipment
Part # LIT0003



First-Cut Booklet
Presenting the full line of early entry products - Update March 2020
Part # LIT0016



DP Basics Booklet Expanded Edition
Highlighting basic products for the Diamond Products Distributor
Part # LIT0017



Saw Lineup Booklet
Walk Behind Saws
Part # LIT0009



Training Booklet
Offering instructional information on cutting and coring along with troubleshooting diamond tools.
Part # LIT0009



CORE VAC Booklet
Dust Control Products
Part # LIT0009



Core Rig Lineup Booklet
Core Rigs
Part # LIT0009

LITERATURE & MERCHANDISING ITEMS

Description	Part #
Master Product Catalog	LIT0003
Training Booklet	LIT0009
First-Cut Booklet	LIT0016
DP Basics Booklet	LIT0017
Tyrolit Counter Display	POP0003
Saw Lineup Booklet	LIT0505
Rig Lineup Booklet	LIT0506
Core Vac Booklet	LIT0507
Diamond Products Banner 36" x 48" Vinyl	MER0002



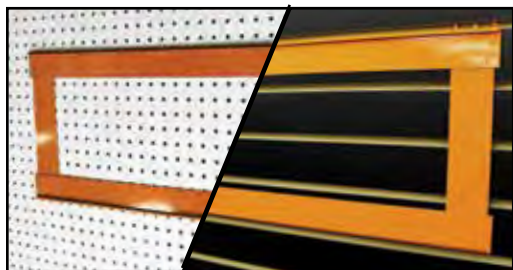
CUSTOM MODULAR DISPLAY STANDS

Custom Is the Way to Go!

Modular Design Lets You Pick Which Display Parts You Need For Your Products

- Lighted Sign Kit
- Abrasive Display Rack
- Core Bit Display Rack
- Multiple Different Display Hooks
- Header Image Sign and Sub Header Text
- Product Description and Pricing Hooks

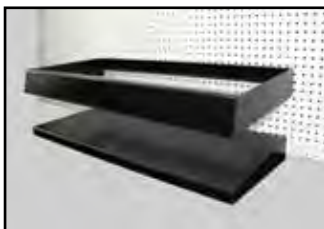
Header Signs, Shelving, Display Hooks, Literature Holders, Abrasive Shelf Holders and More



Ask About Options That Fit to Your Existing Slatwall or Pegboard



Shelving to hold product boxes and Hand Saws



Core Bit Holder



Header sign for graphic available with many options

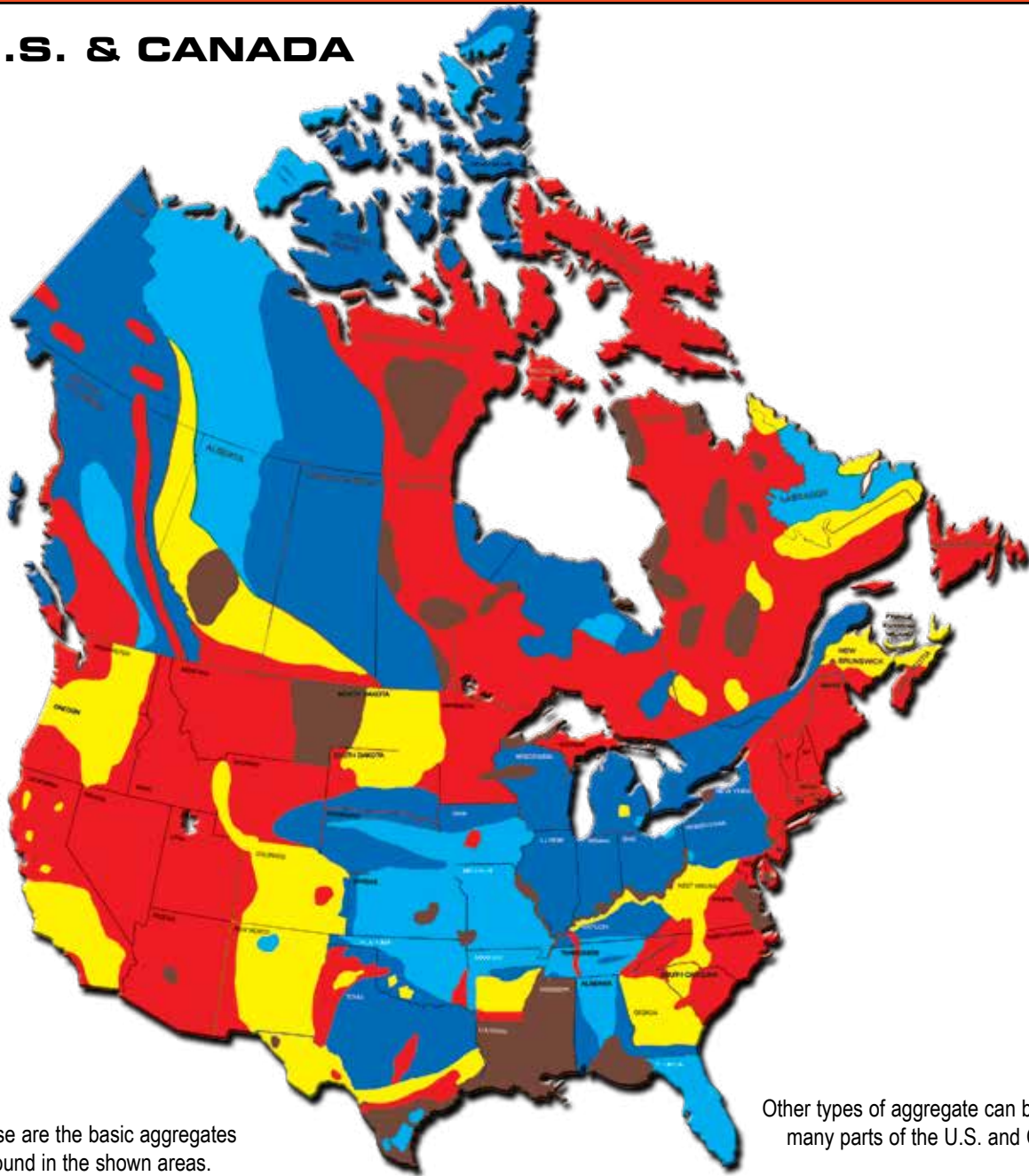
DP WALL SKINS available in 4ft wide sections. Sticks to your existing pegboard or slat-walls. 3ft tall sections with two header give you an 8ft tall section.

Logo Header (1' tall x 4' wide) Part # GS0014A
Main wall skin panel (3' tall x 4' wide) Part # GS0024A



AGGREGATE MAP

U.S. & CANADA



These are the basic aggregates found in the shown areas.

Other types of aggregate can be found in many parts of the U.S. and Canada

Soft Limestone
 Sandstone
 Dolomite
 Limestone
 Siliceous
 Soft Shell



SOFT

Pit Gravel
 Limestone
 Dolomite



MEDIUM SOFT

**Medium Hard
River Rock**
 Medium Traprock
 Decomposed
Granite
 Medium Crushed
Gravel



MEDIUM

Granite
 Slate
 Traprock
 Basalt
 Quartzite

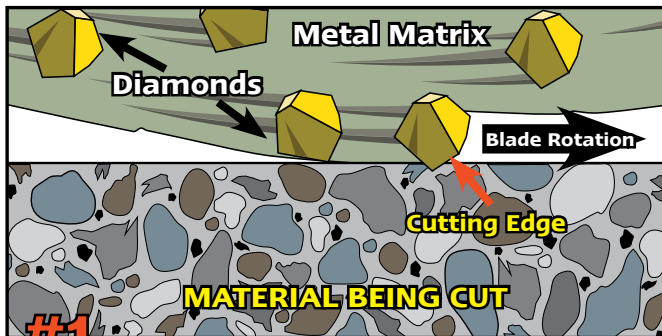


MEDIUM HARD

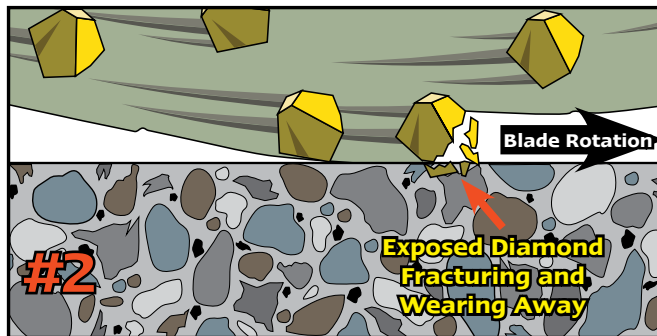
Hard Chert
 Quartz
 Flint Rock
 Hard River
Rock



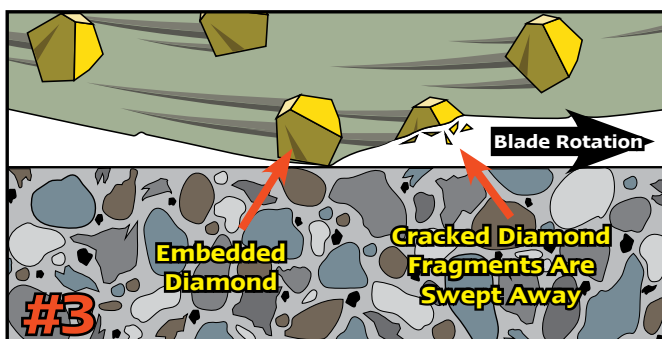
HARD



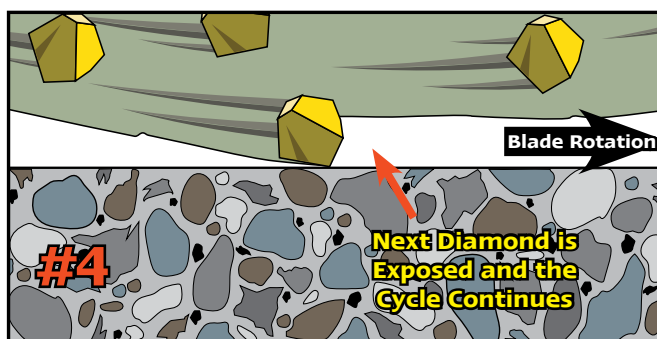
#1 The exposed diamond crystals do the grinding work. The metal matrix or bond holds the diamond in place. Trailing behind each exposed diamond is a bond tail which helps to support the diamond. As the blade rotates through the material, the exposed surface diamonds grind the material.



#2 After several thousand passes through the material, the exposed diamonds begin to crack and fracture. The matrix holding the diamonds also begins to wear away.



#3 Eventually the diamond completely breaks apart and its fragments are swept away with the material it is grinding. When the blade is cooled with water this material, included with water, produces slurry.



#4 As the old diamonds are fractured and worn away they are replaced by new diamonds and the process continues until the segments are worn down to the core.

#1 Rule for Diamond Blades:

Use a Hard Bond to Cut Something Soft and Use a Soft Bond to Cut Something Hard

DIAMOND QUALITY - YOU GET WHAT YOU PAY FOR



LOW QUALITY SYNTHETIC DIAMONDS

- Weaker crystals with irregular shape
- Shorter life & lower cutting rates
- Lower thermal stability
- Does not handle steel & hard aggregates well
- Jagged points that break causing faster wear & lower cutting & drilling performance
- Widely used in low priced dry products



MEDIUM QUALITY SYNTHETIC DIAMONDS

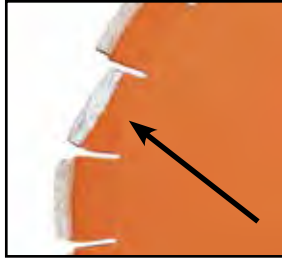
- Good crystal strength & shape
- Good for sawing & drilling applications
- Good cutting speed
- Handles moderate steel & hard aggregate applications



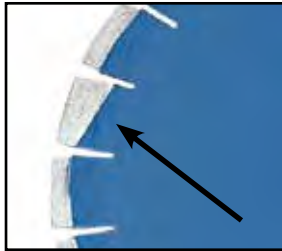
HIGH QUALITY SYNTHETIC DIAMONDS

- Strongest crystals
- Lasts longer
- Withstands high temperatures
- Octahedral shape for increased tool life & faster cutting
- High impact strength against steel & hard aggregate

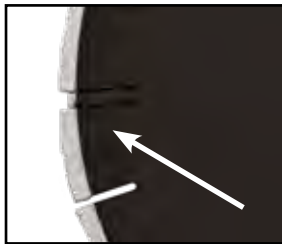
DIAMOND BLADE INFO



(X) Slant Seg Protection
No extra charge on any blade. Used on cured concrete, asphalt and green concrete blades when undercutting conditions are occurring
EXAMPLE BOND: C56HX \underline{M}



(R) Radius Protection
Low cost undercut protection for average undercutting situations.
EXAMPLE BOND: A606TR \underline{M}
Asphalt and Green Concrete Wet Blades



(Q) Insert Protection
Our most popular, maximum wear retardant protection used in tough undercut conditions across North America. Noted with an "I" in the part number.
EXAMPLE BOND: A606PQM
Asphalt and Green Concrete Wet Blades

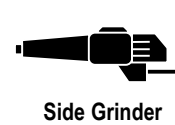
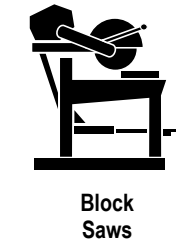
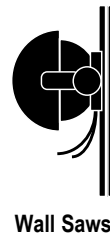


To ensure maximum performance, water is required to cool these blades during the cutting process.



Dry cutting products use air to cool the blade. Intermittent cuts are required to allow proper cooling. Dry products can also be used with water.

MACHINE ICONS FOR BLADES:

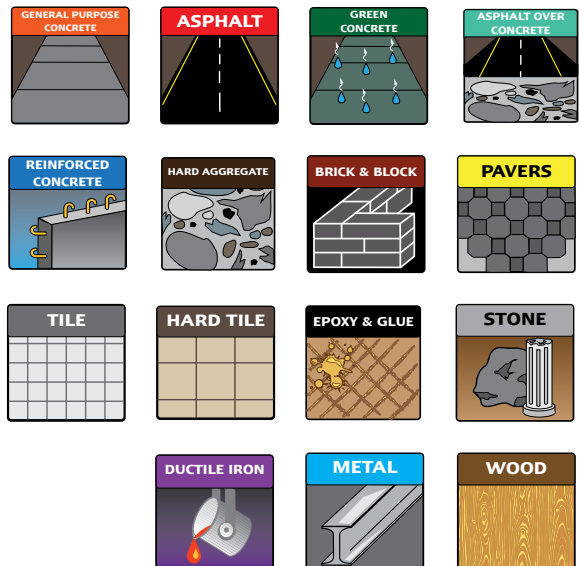


Wet Blade Diamond Depth By Quality Grade

Quality Grade	Quality Code	Diamond Depth	Segment Height
Imperial Purple Wet Cured	I	.394	.494
Imperial Purple Asphalt/Green	I	.312	.412
Heavy Duty Orange	H	.250	.350
Premium Black	P	.275	.375
Pro Blue	T	.310	.410
Super Premium Silver	SP	.375	.475
Pro Heavy Duty	TH	.310	.410
Super Heavy Duty	SH	.375	.475
Mega Premium Green	MP	.437	.537

Diamond Depth indicates the measurement of diamonds in a segment. This measurement is different than the segment height. Segment height is the total measurement of the diamond depth plus the backer pad. A backer pad is the side of the segment that does not have diamonds in it to ensure a good weld to the blade core.

MATERIAL ICONS:

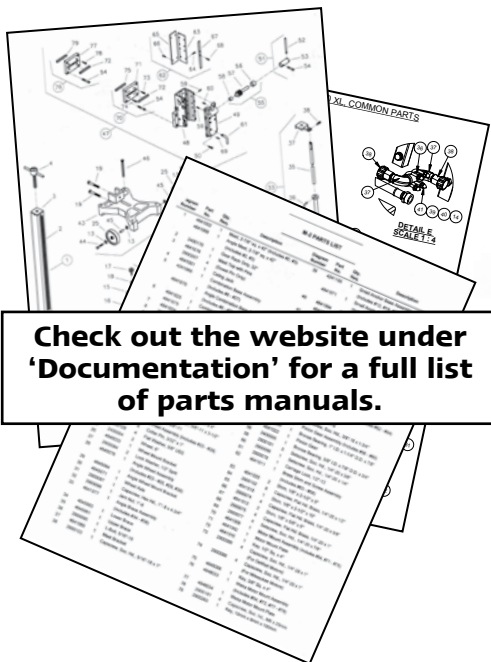




REGISTER FOR YOUR ONLINE ACCOUNT TO GET THESE BENEFITS:

- Net pricing
- Place orders with our easy ordering system
- Order history
- Order tracking and ship dates
- Create pricing quotes
- Download parts lists and operator manuals
- Access training information

Call 1-800-321-5336 to obtain your login information



Check out the website under 'Documentation' for a full list of parts manuals.

FOLLOW US ONLINE:



www.diamondproducts.com
Current Company News
New Product Information
Order Confirmations
Place Orders

Send Us Your Email Address

For the latest product updates, press releases, promotions and more.

Send To: marketing@diamondproducts.com

Diamond Products protects all contact information and will not sell, give or share any consumer information with outside sources.

Things to Consider About Operating Speeds & Safety

Horsepower: High horsepower may require harder bonds and higher diamond concentration. Lower horsepower may require softer bonds and lower diamond concentration.

Shaft Speed: Increasing blade shaft speed makes the diamond blade cut harder. Decreasing shaft speed makes the blade wear faster.

Material Hardness/Abrasive: Harder, less abrasive materials require slower shaft speed. Softer, more abrasive materials require faster shaft speed.

WARNING: Operating saw blades at rotational speeds greater than the maximum RPM can cause blade damage and possibly personal injury.



Walk Behind Wet Blades

Blade Diameter	Maximum Cutting Depth	Recommended Operating Speed RPM	Maximum Safe Speed RPM
12"	3-3/4"	2900	4500
14"	4-3/4"	2900	3900
16"	5-3/4"	2600	3400
18"	6-3/4"	2600	3000
20"	7-3/4"	2450	2700
24"	9-3/4"	1950	2250
26"	10-3/4"	1950	2100
30"	11-3/4"	1650	1800
36"	14-3/4"	1300	1500
42"	17"	1050	1300
48"	20"	900	1000
54"	22-1/2"	600	700
60"	25-1/2"	540	640
72"	31-1/2"	500	500



Wall Saw Blades

Blade Diameter	Maximum Cutting Depth	Recommended Operating Speed RPM	Maximum Safe Speed RPM
18"	6-1/4"	2600	3000
20"	7-1/4"	2450	2700
24"	9-1/4"	1950	2250
30"	12-1/4"	1650	1800
36"	15-1/4"	1300	1500
42"	18-1/4"	1050	1300
48"	21-1/4"	900	1000
54"	24-1/4"	600	700
60"	27-1/4"	540	640
72"	33-1/4"	500	500



Dry Blades



Blade Diameter	Maximum Cutting Depth	Maximum Safe Speed RPM
4"	1"	18000
4-1/2"	1-1/4"	16000
5"	1-1/2"	15000
6"	2"	13000
7"	2-1/2"	11000
8"	2-5/8"	9000
9"	2-3/4"	8300
10"	2-7/8"	7500
12"	3-3/4"	6300
14"	4-3/4"	5400
16"	5"	4200
18"	5-1/2"	3800



Masonry Blades



Blade Diameter	Maximum Cutting Depth	Recommended Operating Speed RPM	Maximum Safe Speed RPM
14"	5"	2550	3900
18"	7"	2300	3000
20"	8"	2300	2700
24"	10"	2250	1950



Tile Blades

Blade Diameter	Maximum Cutting Depth	Recommended Operating Speed RPM	Maximum Safe Speed RPM
4"	1"	8000	13000
4-1/2"	1-1/4"	7500	12000
5"	1-1/2"	7000	11000
6"	1-3/4"	6050	9000
7"	2-1/4"	5175	8000
8"	2-3/4"	4500	7000
9"	3-1/4"	4025	5400
10"	3-3/4"	3625	5300



RECOMMENDED POWER CORD GAUGE-1 PHASE								
Horsepower	Phase	Voltage	Amps	50ft Cord	100ft Cord	150ft Cord	200ft Cord	300ft Cord
1.5	1	115	13	#12	#10	#8	--	--
1.5	1	230	6	#14	#14	#12	--	--
2	1	115	16	#10	#8	#6	--	--
2	1	230	8	#14	#14	#12	--	--
2.5	1	115	21	#10	#8	#6	--	--
2.5	1	230	11	#14	#12	#10	--	--
5	1	230	23	#10	#8	#6	#6	#4
7.5	1	230	33	#8	#8	#6	#4	#2

CAUTION: Use of a wire gauge that is too small will cause loss of power or overheating and will damage the electric motor.

RECOMMENDED POWER CORD GAUGE-3 PHASE								
Horsepower	Phase	Voltage	Amps	50ft Cord	100ft Cord	150ft Cord	200ft Cord	300ft Cord
5	3	230	12	#14	#12	#10	#8	#6
5	3	460	6	#14	#14	#14	#14	#12
7.5	3	230	17	#12	#10	#8	#6	#6
10	3	230	24	#10	#8	#6	#6	#4
10	3	460	12	#14	#14	#12	#12	#10
15	3	230	36	#8	#6	#6	#4	#2
15	3	460	18	#12	#12	#12	#10	#8
20	3	230	52	#6	#6	#4	#2	N/A
20	3	460	26	#10	#10	#8	#8	#6
25	3	230	58	#6	#4	#4	#2	N/A
25	3	460	29	#10	#10	#8	#8	#6
30	3	460	37	#8	#8	#8	#6	#4
40	3	460	48	#6	#6	#6	#6	#4
50	3	460	62	#4	#4	#4	#4	#2

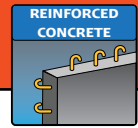
Minimum Recommended Generator Sizes				
Saw	H.P.	Phase	KW	Soft Start
CC850ME1	5	1	15	--
CC850ME3	5	3	12	--
CC875ME1	7.5	1	20	--
CC875ME3	7.5	3	20	--
CC1305E1XL	5	1	15	--
CC1305E3XL	5	3	12	--
CC1875E1XL	7.5	1	20	--
CC1810E3XL	10	3	25	--
CC2515E	15	3	30	--
CC3520E	20	3	40	25kw
CC3530E	30	3	60	40kw
CC3725E	25	3	50	30kw
CC3730E	30	3	60	40kw
CC3740E	40	3	80	60kw
CC4120E	20	3	50	30kw
CC4130E	30	3	60	40kw
CC7250E	50	3	100	80kw

Note: Electric saws do not ship with electric cord or pigtails.

3-Phase powered saws do not include male electric connector for control box



IMPERIAL PURPLE CURED CONCRETE BLADES



Imperial Purple-I

- .394" Diamond Depth
- Economical blades that work well for contractors who don't have a heavy volume of cutting to do.
- Delivers the speed and convenience of a diamond blade compared with conventional abrasive blades that require frequent blade changes.
- Basic quality diamond and economical cutting value.

**Cost Saving
Cutting**



IMPERIAL PURPLE WET CURED BLADES			
SIZE	PART #	CAT #	LIST PRICE
14" x .125	CI14125M	36800	\$488
16" x .125	CI16125M	36808	559
18" x .125	CI18125M	36809	626
20" x .140	CI20140M	36811	729
20" x .155	CI20155M	39504	766
20" x .187	CI20187M	37037	880
24" x .155	CI24155M	36814	1,069
26" x .155	CI26155M	36815	1,224
26" x .165	CI26165M	39498	1,302
26" x .187	CI26187M	37039	1,318
30" x .155	CI30155M	36817	1,354
30" x .187	CI30187M	36818	1,438
36" x .187	CI36187M	36834	1,690

1" arbor with drive pin hole standard.



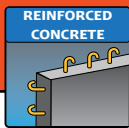
For use on
walk behind saws.



To ensure maximum performance, water is required to cool these blades during the cutting process.

AGGREGATE HARDNESS
MEDIUM AGGREGATE
Imperial Purple Specifications for Light to Medium Reinforced Concrete
C2650I

See page 10 for color coded aggregate map of the U.S. and Canada



HEAVY DUTY ORANGE CURED CONCRETE BLADES



HEAVY DUTY ORANGE CURED CONCRETE BLADES

SIZE	H.D. ORANGE (H) LIST PRICE	PRO H.D. (TH) LIST PRICE	SUPER H.D. (SH) LIST PRICE	SIZE	H.D. ORANGE (H) LIST PRICE	PRO H.D. (TH) LIST PRICE	SUPER H.D. (SH) LIST PRICE
10" x .110	\$441	\$496	\$527	24" x .140	\$1,374	\$1,578	\$1,681
10" x .125	479	539	574	24" x .155	1,476	1,702	1,798
12" x .110	506	562	604	24" x .165	1,536	1,757	1,878
12" x .125	548	621	662	24" x .175	1,582	1,829	1,959
12" x .140	600	671	720	24" x .187	1,647	1,909	2,065
12" x .155	657	742	799	24" x .210	1,880	---	---
12" x .187	770	919	982	24" x .250	2,113	2,460	2,642
12" x .250	959	1,132	1,217	26" x .155	1,625	1,853	1,978
12" x .375	1,366	1,639	1,771	26" x .165	1,672	1,952	2,087
14" x .110	619	699	736	26" x .175	1,737	2,011	2,150
14" x .125	679	775	814	26" x .187	1,847	2,138	2,313
14" x .140	736	846	906	26" x .250	2,252	2,625	2,825
14" x .155	795	913	968	28" x .187	1,987	---	---
14" x .187	936	1,129	1,197	30" x .175	1,911	2,181	2,324
14" x .250	1,157	1,406	1,498	30" x .187	1,986	2,270	2,422
14" x .375	1,672	2,036	2,177	30" x .210	2,139	---	---
16" x .125	787	886	945	30" x .250	2,529	2,929	3,164
16" x .140	847	958	1,028	32" x .175	1,958	---	---
16" x .155	908	1,029	1,102	32" x .187	2,050	---	2,667
16" x .187	1,068	1,271	1,364	32" x .210	2,216	---	---
16" x .250	1,309	---	1,717	32" x .250	2,733	2,984	---
18" x .125	890	992	1,072	36" x .175	2,308	2,590	2,757
18" x .140	962	1,088	1,166	36" x .187	2,389	2,687	2,869
18" x .155	1,074	1,214	1,299	36" x .210	2,657	---	---
18" x .165	1,179	1,330	1,422	36" x .250	3,036	3,427	3,633
18" x .175	1,228	1,384	1,483	42" x .187	3,524	4,114	4,323
18" x .187	1,258	1,447	1,551	42" x .210	3,702	---	---
18" x .210	1,288	---	---	42" x .220	3,814	4,396	4,632
18" x .250	1,499	1,797	1,936	48" x .210	4,299	---	---
20" x .125	987	1,134	1,209	48" x .250	5,053	6,002	6,587
20" x .140	1,053	1,226	1,311	54" x .220	5,345	5,841	6,565
20" x .155	1,241	1,369	1,465	60" x .220	5,969	7,592	9,160
20" x .165	1,281	1,485	1,588	---	---	---	---
20" x .187	1,322	1,616	1,732	---	---	---	---
20" x .250	1,653	2,031	2,136	---	---	---	---

Heavy Duty Orange-H

- .250" Diamond Depth

Pro Heavy Duty-TH

- .310" Diamond Depth
- Taller segment, high diamond concentration

Super Heavy Duty-SH

- .375" Diamond Depth
- Even taller segment and higher diamond concentration
- Fast cutting blade that works well with a wide variety of high or low HP saws.
- Combines long life performance while maximizing your blade dollars.



HEAVY DUTY ORANGE Concrete Specification Chart

Aggregate Hardness	SOFT	MEDIUM SOFT	MEDIUM	MEDIUM HARD	HARD
Reinforcement	Light to Medium Reinforcement				
Bond Spec	C62H	C60H	C56H	C52H	C50WH
Reinforcement	Heavy Reinforcement				
Bond Spec	C56H	C56H	C52H	C51WH	C45H
Aggregate Type	Soft Limestone Sandstone Dolomite Limestone Siliceous Soft Shell	Pit Gravel Limestone Dolomite	Medium Hard River Rock Medium Traprock Decomposed Granite Crushed Gravel	Granite Slate Traprock Basalt Quartzite	Hard Chert Quartz Flint Rock Hard River Rock

1" arbor with drive pin hole standard.

Custom arbor sizes/types are available.

When ordering, please specify arbor size/type if different from 1".

* Additional blade sizes available upon request.

NO CHARGE FOR 'X' SLANT SEG WEAR PROTECTION OR CUSTOM BOLT PATTERNS (Example: LOUIE or ROGER bolt pattern)



To ensure maximum performance, water is required to cool these blades during the cutting process.

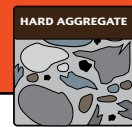
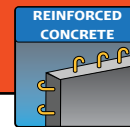


For use on walk behind saws.

See page 10 for color coded aggregate map of the U.S. and Canada



PREMIUM BLACK CURED CONCRETE BLADES



Premium Black-P

- .275" Diamond Depth
- A high quality blade that delivers long lasting, fast cutting performance.
- Designed for contractors who demand maximum efficiency and value.



PREMIUM BLACK CURED BLADES			
SIZE	PREMIUM BLACK (P) LIST PRICE	SIZE	PREMIUM BLACK (P) LIST PRICE
10" x .110	\$543	24" x .140	\$1,669
10" x .125	595	24" x .155	1,786
12" x .110	622	24" x .165	1,862
12" x .125	686	24" x .175	1,942
12" x .140	739	24" x .187	2,031
12" x .155	824	24" x .210	2,292
12" x .187	903	24" x .250	2,621
12" x .250	1,205	26" x .155	2,005
12" x .375	1,736	26" x .165	2,048
14" x .110	762	26" x .175	2,136
14" x .125	849	26" x .187	2,272
14" x .140	934	26" x .250	2,805
14" x .155	999	28" x .187	2,412
14" x .187	1,182	30" x .175	2,305
14" x .250	1,470	30" x .187	2,405
14" x .375	2,133	30" x .210	2,580
16" x .125	974	30" x .250	3,077
16" x .140	1,057	32" x .175	2,402
16" x .155	1,139	32" x .187	2,503
16" x .187	1,339	32" x .210	2,748
16" x .250	1,659	32" x .250	3,337
18" x .125	1,081	36" x .175	2,781
18" x .140	1,175	36" x .187	2,893
18" x .155	1,311	36" x .210	3,245
18" x .165	1,436	36" x .250	3,700
18" x .175	1,510	42" x .187	4,141
18" x .187	1,539	42" x .210	4,381
18" x .210	1,582	42" x .220	4,483
18" x .250	1,858	48" x .210	4,828
20" x .125	1,200	48" x .250	5,816
20" x .140	1,300	54" x .220	5,799
20" x .155	1,441	60" x .220	7,764
20" x .165	1,475	---	---
20" x .187	1,632	---	---
20" x .250	2,062	---	---

1" arbor with drive pin hole standard.
 Custom arbor sizes/types are available.
 When ordering, please specify arbor size/type if different from 1".
 * Additional blade sizes available upon request.

NO CHARGE FOR 'X' SLANT SEG WEAR PROTECTION OR CUSTOM BOLT PATTERNS (Example: LOUIE or ROGER bolt pattern)



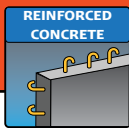
For use on walk behind saws.



To ensure maximum performance, water is required to cool these blades during the cutting process.

PREMIUM BLACK Concrete Specification Chart					
Aggregate Hardness	SOFT	MEDIUM SOFT	MEDIUM	MEDIUM HARD	HARD
Reinforcement	Light to Medium Reinforcement				
Bond Spec	C62P	C60P	C56P	C52P	C50WP
Reinforcement	Heavy Reinforcement				
Bond Spec	C56P	C56P	C52P	C51WP	C45P
Aggregate Type	Soft Limestone Sandstone Dolomite Limestone Siliceous Soft Shell	Pit Gravel Limestone Dolomite	Medium Hard River Rock Medium Traprock Decomposed Granite Crushed Gravel	Granite Slate Traprock Basalt Quartzite	Hard Chert Quartz Flint Rock Hard River Rock

See page 10 for color coded aggregate map of the U.S. and Canada



PRO BLUE CURED CONCRETE BLADES



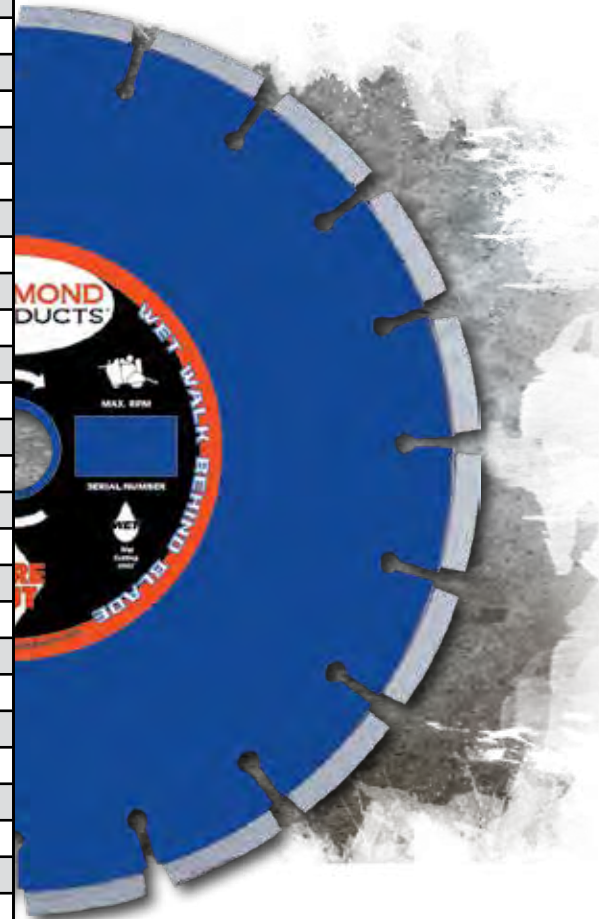
PRO BLUE CURED BLADES					
SIZE	PRO BLUE (T) LIST PRICE	PRO PLUS (T+) LIST PRICE	SIZE	PRO BLUE (T) LIST PRICE	PRO PLUS (T+) LIST PRICE
10" x .110	\$580	\$631	24" x .140	\$1,864	\$2,011
10" x .125	631	694	24" x .155	2,015	2,160
12" x .110	661	726	24" x .165	2,088	2,263
12" x .125	730	802	24" x .175	2,179	2,365
12" x .140	795	871	24" x .187	2,301	2,481
12" x .155	879	969	24" x .210	2,621	2,818
12" x .187	1,030	1,190	24" x .250	2,952	3,219
12" x .250	1,293	1,490	26" x .155	2,216	2,401
12" x .375	1,870	2,184	26" x .165	2,318	2,512
14" x .110	830	913	26" x .175	2,416	2,625
14" x .125	919	1,011	26" x .187	2,573	2,797
14" x .140	1,022	1,115	26" x .250	3,166	3,498
14" x .155	1,096	1,209	28" x .187	2,631	---
14" x .187	1,283	1,502	30" x .175	2,599	2,815
14" x .250	1,616	1,883	30" x .187	2,716	2,974
14" x .375	2,355	2,747	30" x .210	2,924	3,209
16" x .125	1,062	1,166	30" x .250	3,524	3,827
16" x .140	1,158	1,271	32" x .175	2,648	2,984
16" x .155	1,245	1,374	32" x .187	2,766	3,021
16" x .187	1,460	1,689	32" x .210	2,968	2,990
16" x .250	1,823	---	32" x .250	3,686	---
18" x .125	1,209	1,329	36" x .175	3,054	3,374
18" x .140	1,329	1,446	36" x .187	3,182	3,526
18" x .155	1,480	1,610	36" x .210	3,574	3,956
18" x .165	1,601	1,755	36" x .250	4,087	4,538
18" x .175	1,632	1,834	42" x .187	4,531	4,994
18" x .187	1,662	1,923	42" x .210	4,810	5,321
18" x .210	1,817	2,054	42" x .220	4,931	5,462
18" x .250	2,090	2,432	48" x .210	5,499	6,342
20" x .125	1,330	1,457	48" x .250	6,620	7,557
20" x .140	1,458	1,589	54" x .220	6,593	7,516
20" x .155	1,617	1,776	60" x .220	8,855	9,764
20" x .165	1,746	1,915	---	---	---
20" x .187	1,832	2,103	---	---	---
20" x .250	2,305	2,578	---	---	---

Professional Blue-T

- .310" Diamond Depth

Professional Blue Plus-T+

- .310" Diamond Depth
- Additional diamond concentration for longer life
- Same high quality as our Premium Black blade with a taller segment to lower your cutting costs.
- Made for 35HP saws and larger



PRO BLUE Concrete Specification Chart					
Aggregate Hardness	SOFT	MEDIUM SOFT	MEDIUM	MEDIUM HARD	HARD
Reinforcement	Light to Medium Reinforcement				
Bond Spec	C62T	C60T	C56T	C52T	C50WT
Reinforcement	Heavy Reinforcement				
Bond Spec	C56T	C56T	C52T	C51WT	C45T
Aggregate Type	Soft Limestone Sandstone Dolomite Limestone Siliceous Soft Shell	Pit Gravel Limestone Dolomite	Medium Hard River Rock Medium Traprock Decomposed Granite Crushed Gravel	Granite Slate Traprock Basalt Quartzite	Hard Chert Quartz Flint Rock Hard River Rock

See page 10 for color coded aggregate map of the U.S. and Canada

1" arbor with drive pin hole standard.

Custom arbor sizes/types are available.

When ordering, please specify arbor size/type if different from 1".

* Additional blade sizes available upon request.

NO CHARGE FOR 'X' SLANT SEG WEAR PROTECTION OR CUSTOM BOLT PATTERNS (Example: LOUIE or ROGER bolt pattern)



For use on walk behind saws.

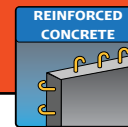


To ensure maximum performance, water is required to cool these blades during the cutting process.

Concrete Blades



SUPER PREMIUM SILVER CURED CONCRETE BLADES



Super Premium Silver-SP

- .375" Diamond Depth

Super Premium Silver Plus-SP+

- .375" Diamond Depth
- Additional diamond concentration for longer life
- Especially well suited for sawing in tough applications.



SUPER PREMIUM SILVER CURED BLADES					
SIZE	SUPER PREM SILVER (SP) LIST PRICE	SUPER PREM PLUS (SP+) LIST PRICE	SIZE	SUPER PREM SILVER (SP) LIST PRICE	SUPER PREM PLUS (SP+) LIST PRICE
10" x .110	\$653	\$675	24" x .140	\$2,104	\$2,139
10" x .125	718	734	24" x .155	2,288	2,328
12" x .110	749	776	24" x .165	2,398	2,413
12" x .125	830	857	24" x .175	2,507	2,557
12" x .140	908	932	24" x .187	2,633	2,766
12" x .155	1,017	1,051	24" x .210	2,960	3,064
12" x .187	1,170	1,278	24" x .250	3,389	3,514
12" x .250	1,476	1,587	26" x .155	2,513	2,561
12" x .375	2,157	2,307	26" x .165	2,633	2,653
14" x .110	945	976	26" x .175	2,727	2,768
14" x .125	1,059	1,090	26" x .187	2,905	3,096
14" x .140	1,169	1,222	26" x .250	3,679	3,869
14" x .155	1,259	1,314	28" x .187	3,156	3,160
14" x .187	1,471	1,601	30" x .175	2,943	3,121
14" x .250	1,867	2,006	30" x .187	3,083	3,138
14" x .375	2,730	2,914	30" x .210	3,330	3,528
16" x .125	1,210	1,269	30" x .250	3,975	4,139
16" x .140	1,320	1,364	32" x .175	3,016	3,105
16" x .155	1,428	1,466	32" x .210	3,443	---
16" x .187	1,671	1,766	32" x .250	3,966	---
16" x .250	2,041	2,261	36" x .175	3,408	3,472
18" x .125	1,379	1,442	36" x .187	3,562	3,617
18" x .140	1,502	1,565	36" x .210	3,997	4,202
18" x .155	1,673	1,760	36" x .250	4,552	4,749
18" x .165	1,819	1,822	42" x .187	4,987	5,130
18" x .175	1,860	1,902	42" x .210	5,276	5,420
18" x .187	1,900	2,060	42" x .220	5,368	5,456
18" x .210	2,031	2,248	48" x .210	5,870	5,938
18" x .250	2,398	2,579	48" x .250	7,062	7,528
20" x .125	1,509	1,566	54" x .220	7,288	7,371
20" x .140	1,648	1,696	60" x .220	9,467	9,560
20" x .155	1,843	1,886	---	---	---
20" x .165	1,985	2,010	---	---	---
20" x .187	2,093	2,261	---	---	---
20" x .250	2,662	2,887	---	---	---

1" arbor with drive pin hole standard.
 Custom arbor sizes/types are available.
 When ordering, please specify arbor size/type if different from 1".
 * Additional blade sizes available upon request.

NO CHARGE FOR 'X' SLANT SEG WEAR PROTECTION OR CUSTOM BOLT PATTERNS (Example: LOUIE or ROGER bolt pattern)



For use on walk behind saws.

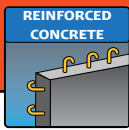


To ensure maximum performance, water is required to cool these blades during the cutting process.

SUPER PREMIUM SILVER Concrete Specification Chart

Aggregate Hardness	SOFT	MEDIUM SOFT	MEDIUM	MEDIUM HARD	HARD
Reinforcement	Light to Medium Reinforcement				
Bond Spec	C62SP	C60SP	C56SP	C52SP	C50WSP
Reinforcement	Heavy Reinforcement				
Bond Spec	C56SP	C56SP	C52SP	C51WSP	C45SP
Aggregate Type	Soft Limestone Sandstone Dolomite Limestone Siliceous Soft Shell	Pit Gravel Limestone Dolomite	Medium Hard River Rock Medium Traprock Decomposed Granite Crushed Gravel	Granite Slate Traprock Basalt Quartzite	Hard Chert Quartz Flint Rock Hard River Rock

See page 10 for color coded aggregate map of the U.S. and Canada



MEGA PREMIUM GREEN CURED CONCRETE BLADES



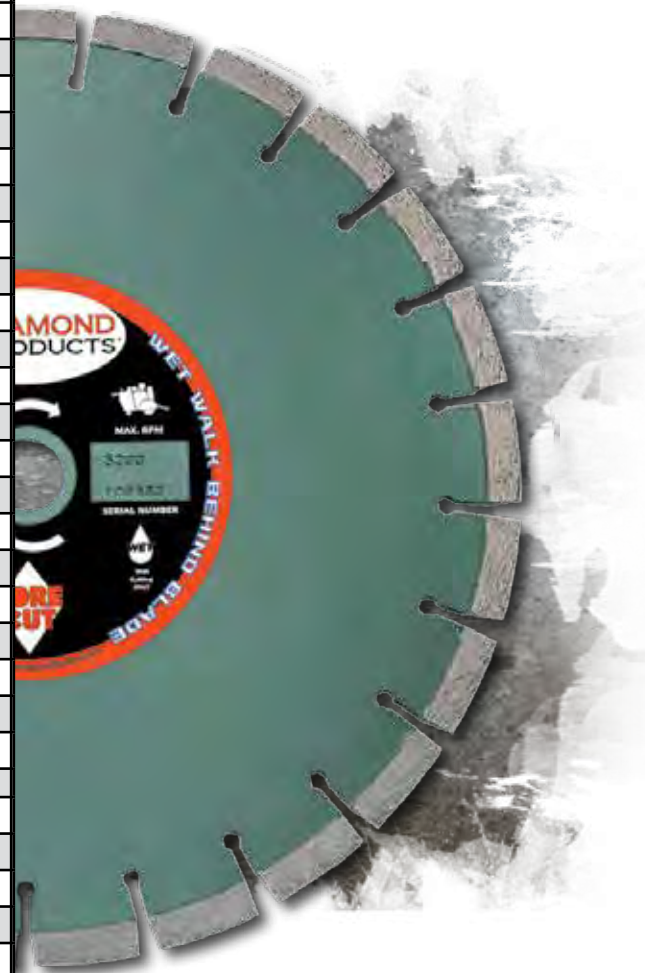
MEGA PREMIUM GREEN CURED BLADES					
SIZE	MEGA PREM (MP) LIST PRICE	MEGA PREM PLUS (MP+) LIST PRICE	SIZE	MEGA PREM (MP) LIST PRICE	MEGA PREM PLUS (MP+) LIST PRICE
12" x .110	\$807	\$834	24" x .140	\$2,224	\$2,299
12" x .125	892	923	24" x .155	2,420	2,505
12" x .155	1,090	---	24" x .165	2,533	2,598
12" x .187	1,329	1,376	24" x .175	2,687	2,751
12" x .250	1,656	1,715	24" x .187	2,876	2,974
12" x .375	2,408	2,501	24" x .210	3,221	3,332
14" x .110	1,019	1,054	24" x .250	3,661	3,792
14" x .125	1,134	1,174	26" x .155	2,679	2,726
14" x .140	1,260	1,314	26" x .165	2,756	2,856
14" x .155	1,367	1,418	26" x .175	2,923	3,012
14" x .187	1,665	1,741	26" x .187	3,219	3,324
14" x .250	2,094	2,170	26" x .250	4,030	4,216
14" x .375	3,045	3,163	28" x .187	3,357	3,507
16" x .125	1,313	1,363	30" x .175	3,122	3,352
16" x .140	1,426	1,465	30" x .187	3,228	3,339
16" x .155	1,517	1,662	30" x .210	3,718	3,786
16" x .187	1,833	1,906	30" x .250	4,559	4,515
18" x .125	1,486	1,535	32" x .175	---	3,393
18" x .140	1,627	1,699	36" x .175	3,607	4,365
18" x .155	1,856	1,874	36" x .187	3,761	4,578
18" x .165	1,938	1,963	42" x .187	5,303	5,451
18" x .175	1,994	2,072	42" x .210	5,535	5,865
18" x .187	2,143	2,219	42" x .220	5,763	5,937
18" x .210	2,342	2,427	48" x .210	5,785	6,293
18" x .250	2,689	2,744	48" x .250	7,498	---
20" x .125	1,627	1,682	54" x .220	7,551	---
20" x .140	1,801	1,827	---	---	---
20" x .155	1,980	2,031	---	---	---
20" x .165	2,035	2,128	---	---	---
20" x .187	2,373	2,459	---	---	---
20" x .250	3,010	3,153	---	---	---

Mega Premium Green-MP

- .437" Diamond Depth

Mega Premium Green Plus-MP+

- .437" Diamond Depth
- Additional diamond concentration for longer life
- Extremely long life blade especially good for hard aggregates.
- Delivers the lowest diamond tool cost per inch foot in the industry.



MEGA PREMIUM GREEN Concrete Specification Chart					
Aggregate Hardness	SOFT	MEDIUM SOFT	MEDIUM	MEDIUM HARD	HARD
Reinforcement	Light to Medium Reinforcement				
Bond Spec	C62MP	C60MP	C56MP	C52MP	C50WMP
Reinforcement	Heavy Reinforcement				
Bond Spec	C56MP	C56MP	C52MP	C51WMP	C45MP
Aggregate Type	Soft Limestone Sandstone Dolomite Limestone Siliceous Soft Shell	Pit Gravel Limestone Dolomite	Medium Hard River Rock Medium Traprock Decomposed Granite Crushed Gravel	Granite Slate Traprock Basalt Quartzite	Hard Chert Quartz Flint Rock Hard River Rock

1" arbor with drive pin hole standard.
Custom arbor sizes/types are available.
When ordering, please specify arbor size/type if different from 1".
* Additional blade sizes available upon request.

NO CHARGE FOR 'X' SLANT SEG WEAR PROTECTION OR CUSTOM BOLT PATTERNS (Example: LOUIE or ROGER bolt pattern)



For use on walk behind saws.

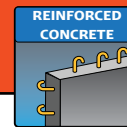


To ensure maximum performance, water is required to cool these blades during the cutting process.

See page 10 for color coded aggregate map of the U.S. and Canada



GIGA TITANIUM CURED CONCRETE BLADES



Giga Premium Titanium-GP

- .500" Diamond Depth

Giga Premium Plus Titanium-GP+

- .500" Diamond Depth
- Additional diamond concentration for longer life

Giga Supreme Titanium-GU

- .500" Diamond Depth
- Ultra-High diamond concentration for maximum life
- Especially well suited for sawing in tough applications.

GIGA TITANIUM CURED CONCRETE BLADES							
SIZE	GIGA PREM (GP) TITANIUM LIST PRICE	GIGA PREMIUM PLUS (GP+) LIST PRICE	GIGA SUPREME (GU) LIST PRICE	SIZE	GIGA PREM (GP) TITANIUM LIST PRICE	GIGA PREMIUM PLUS (GP+) LIST PRICE	GIGA SUPREME (GU) LIST PRICE
12" x .125	\$954	---	\$1,017	24" x .155	\$2,571	\$2,599	\$2,732
12" x .140	---	---	---	24" x .165	2,575	2,631	2,863
12" x .155	---	1,134	---	24" x .175	2,780	2,872	3,037
12" x .187	1,334	---	1,512	24" x .187	2,949	2,970	3,068
14" x .110	---	---	1,158	24" x .210	---	---	3,564
14" x .125	1,239	1,232	1,282	24" x .250	3,873	---	4,123
14" x .140	---	1,378	1,414	26" x .155	2,799	2,922	3,027
14" x .155	1,417	1,449	1,565	26" x .165	2,931	3,070	3,084
14" x .187	1,726	1,785	1,921	26" x .175	3,226	3,294	3,227
14" x .250	---	2,191	2,249	26" x .187	3,428	3,471	3,659
16" x .125	1,423	1,471	1,495	26" x .250	4,123	4,002	4,713
16" x .140	1,509	1,571	---	28" x .187	3,598	3,667	3,819
16" x .155	1,644	---	1,816	30" x .175	3,393	3,414	3,541
16" x .187	1,925	2,015	2,237	30" x .187	3,578	3,551	4,052
16" x .250	---	1,604	---	30" x .210	---	3,857	4,162
18" x .125	1,578	1,783	1,687	36" x .175	3,787	---	4,094
18" x .140	1,751	1,963	1,775	36" x .187	3,903	---	4,245
18" x .155	1,981	---	1,696	36" x .210	4,393	---	---
18" x .165	2,039	---	2,162	36" x .250	---	---	5,549
18" x .175	2,116	---	2,266	42" x .187	5,322	---	6,357
18" x .187	2,286	---	2,447	42" x .210	---	---	---
18" x .210	---	1,827	2,693	42" x .220	5,716	6,004	6,841
20" x .125	1,644	---	1,851	48" x .210	7,007	7,122	---
20" x .140	1,884	2,127	2,016	---	---	---	---
20" x .155	2,053	2,254	2,221	---	---	---	---
20" x .165	2,277	2,579	2,331	---	---	---	---
20" x .187	2,444	2,467	3,007	---	---	---	---



1" arbor with drive pin hole standard.
 Custom arbor sizes/types are available.
 When ordering, please specify arbor size/type if different from 1".
 * Additional blade sizes available upon request.

NO CHARGE FOR 'X' SLANT SEG WEAR PROTECTION OR CUSTOM BOLT PATTERNS (Example: LOUIE or ROGER bolt pattern)



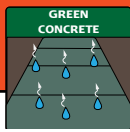
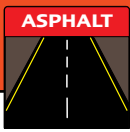
For use on walk behind saws.



To ensure maximum performance, water is required to cool these blades during the cutting process.

GIGA PREMIUM TITANIUM Concrete Specification Chart					
Aggregate Hardness	SOFT	MEDIUM SOFT	MEDIUM	MEDIUM HARD	HARD
Reinforcement	Light to Medium Reinforcement				
Bond Spec	C62GP	C60GP	C56GP	C52GP	C50WGP
Reinforcement	Heavy Reinforcement				
Bond Spec	C56GP	C56GP	C52GP	C51WGP	C45GP
Aggregate Type	Soft Limestone Sandstone Dolomite Limestone Siliceous Soft Shell	Pit Gravel Limestone Dolomite	Medium Hard River Rock Medium Traprock Decomposed Granite Crushed Gravel	Granite Slate Traprock Basalt Quartzite	Hard Chert Quartz Flint Rock Hard River Rock

See page 10 for color coded aggregate map of the U.S. and Canada



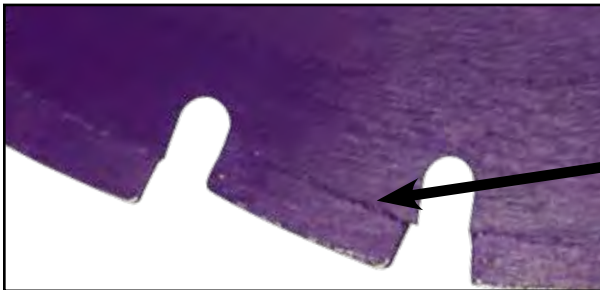
IMPERIAL PURPLE ASPHALT/GREEN CONCRETE BLADES



Imperial Purple-1

- .312" Diamond Depth
- Delivers the speed and convenience of a diamond blade compared with abrasive blades that require frequent blade changes.
- Basic quality diamond and economical cutting value

IMPERIAL PURPLE ASPHALT/GREEN CONCRETE /ASPHALT OVER CONCRETE WET BLADES			
SIZE	PART #	CAT #	LIST PRICE WITH SLANT SEG 'X' PROTECTION
14" x .140	AI14140XM	36821	\$579
18" x .140	AI18140XM	36822	769
20" x .140	AI20140XM	36823	860
24" x .155	AI24155XM	36824	1,117
26" x .165	AI26165XM	36825	1,278
30" x .187	AI30187XM	36828	1,395
36" x .187	AI36187XM	36831	1,750



Includes Slant (x) Segment Wear Protection.

AGGREGATE HARDNESS
MEDIUM AGGREGATE ASPHALT/GREEN CONCRETE
Imperial Purple Specification
A6000I



For use on
walk behind saws.

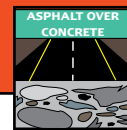
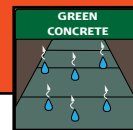
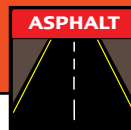


To ensure maximum performance, water is required to cool these blades during the cutting process.

See page 10 for color coded aggregate map of the U.S. and Canada



HEAVY DUTY ORANGE ASPHALT/GREEN/OVERLAY BLADES



Heavy Duty Orange-H

- .250" Diamond Depth
- Fast cutting blade that works well with a wide variety of high or low HP saws.
- Combines long life performance while maximizing your blade dollars.



See page 12 for undercut protection options

1" arbor with drive pin hole standard.

Custom arbor sizes/types are available.

When ordering, please specify arbor size/type if different from 1".

* Additional blade sizes available upon request.

When determining an Asphalt, Green Concrete or Asphalt over Concrete specification use this formula:

Blade type A, G or AC, (spec #) (grade) optional wear protection) M

A = Asphalt, G = Green Concrete, AC = Asphalt over Concrete

Example: A606TRM or AC62SWSPQM

Low HP = 18 HP or lower

High HP = 20 HP or higher

HEAVY DUTY ORANGE ASPHALT-GREEN CONCRETE AND ASPHALT OVER CONCRETE WET BLADES			
SIZE	LIST PRICE WITH 'X' SLANT SEGMENT	LIST PRICE WITH 'R' RADIUS SEGMENT	LIST PRICE WITH 'Q' INSERT SEGMENTS
12" x .125	\$562	\$590	\$618
12" x .140	651	---	716
12" x .187	781	---	859
12" x .250	942	---	1,035
12" x .375	1,364	---	1,500
14" x .125	691	726	760
14" x .140	798	826	850
14" x .187	943	980	1,013
14" x .250	1,159	1,217	1,275
14" x .375	1,673	---	1,840
16" x .125	808	848	889
16" x .140	912	---	1,005
18" x .125	905	950	996
18" x .140	1,039	1,091	1,143
18" x .155	1,149	1,186	1,254
18" x .175	1,180	---	1,356
18" x .187	1,226	1,287	1,349
18" x .250	1,499	1,574	1,649
20" x .125	1,007	1,057	1,108
20" x .140	1,133	1,163	1,246
20" x .155	1,241	1,321	1,361
20" x .165	1,281	---	1,419
24" x .155	1,473	1,547	1,620
24" x .175	1,588	1,707	1,802
24" x .187	1,652	1,808	1,901
26" x .155	1,622	---	1,765
26" x .187	1,855	1,892	2,016
30" x .175	1,940	1,849	1,939
30" x .187	1,849	1,918	2,010
32" x .187	2,031	---	2,202
36" x .175	2,286	---	2,465
36" x .187	2,364	2,517	2,608



For use on walk behind saws.

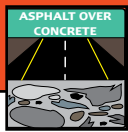
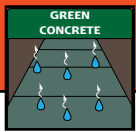
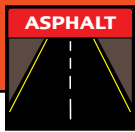


To ensure maximum performance, water is required to cool these blades during the cutting process.

If you need a price for something not shown, please call customer service at (800) 321-5336.

SOFT	MED. SOFT	MEDIUM	MED. HARD	HARD
H.D. ORANGE Cutting Asphalt with Low HP Saw Specifications				
A635H	A615H	A606H	A605H	A350H
H.D. ORANGE Cutting Asphalt with High HP Saw Specifications				
A665H	A635H	A630H	A606H	A605H
H.D. ORANGE Cutting Green Concrete with Low HP Saw Specifications				
G670H	G660H	G606H	G606H	G605H
H.D. ORANGE Cutting Green Concrete with High HP Saw Specifications				
G670H	G660H	G606H	G606H	G605H
H.D. ORANGE Cutting Asphalt Over Concrete with Low HP Saw Specifications				
AC64DWH	AC64DWH	AC64DWH	AC62DWH	AC62DWH
H.D. ORANGE Cutting Asphalt Over Concrete with High HP Saw Specifications				
AC64DWH	AC64DWH	AC64DWH	AC62DWH	AC62DWH

See page 10 for color coded aggregate map of the U.S. and Canada



PREMIUM BLACK ASPHALT/GREEN/OVERLAY BLADES



PREMIUM BLACK ASPHALT/GREEN CONCRETE /ASPHALT OVER CONCRETE WET BLADES

SIZE	LIST PRICE WITH 'X' SLANT SEGMENT	LIST PRICE WITH 'R' RADIUS SEGMENT	LIST PRICE WITH 'Q' INSERT SEGMENTS
12" x .125	\$690	\$725	\$759
12" x .140	808	830	974
12" x .187	935	1,012	1,167
12" x .250	1,176	1,247	1,438
12" x .375	1,709	---	1,880
14" x .125	847	889	932
14" x .140	978	1,027	1,076
14" x .187	1,177	1,236	1,295
14" x .250	1,507	1,582	1,658
14" x .375	2,104	2,209	2,314
16" x .125	1,008	1,031	1,229
16" x .140	1,143	1,171	1,378
18" x .125	1,082	1,136	1,190
18" x .140	1,246	1,308	1,371
18" x .155	1,396	1,466	1,536
18" x .175	1,408	1,522	1,929
18" x .187	1,477	1,551	1,625
18" x .250	1,834	1,926	2,017
20" x .125	1,207	1,267	1,328
20" x .140	1,379	1,448	1,517
20" x .155	1,521	1,561	1,831
20" x .165	1,588	1,630	1,905
24" x .155	1,778	1,851	2,160
24" x .175	1,956	2,009	2,341
24" x .187	2,026	2,127	2,229
26" x .155	1,983	2,040	2,371
26" x .187	2,288	2,355	2,720
30" x .175	2,194	2,304	2,413
30" x .187	2,294	2,366	2,733
32" x .187	2,483	---	2,731
36" x .175	2,790	2,885	3,285
36" x .187	2,898	3,043	3,188

Premium Black-P

- .275" Diamond Depth
- A high quality blade that delivers long lasting, fast cutting performance.
- Designed for contractors who demand maximum efficiency and value.



See page 12 for undercut protection options
1" arbor with drive pin hole standard.

Custom arbor sizes/types are available.

When ordering, please specify arbor size/type if different from 1".

* Additional blade sizes available upon request.

When determining an Asphalt, Green Concrete or Asphalt over Concrete specification use this formula:

Blade type A, G or AC, (spec #) (grade) optional wear protection M

A = Asphalt, G = Green Concrete, AC = Asphalt over Concrete

Example: A606TRM or AC62SWSPQM

Low HP = 18 HP or lower

High HP = 20 HP or higher

SOFT	MED. SOFT	MEDIUM	MED. HARD	HARD
PREMIUM BLACK Cutting Asphalt with Low HP Saw Specifications				
A635P	A615P	A606P	A605P	A350P
PREMIUM BLACK Cutting Asphalt with High HP Saw Specifications				
A665P	A635P	A630P	A606P	A605P
PREMIUM BLACK Cutting Green Concrete with Low HP Saw Specifications				
G670P	G660P	G606P	G606P	G605P
PREMIUM BLACK Cutting Green Concrete with High HP Saw Specifications				
G670P	G660P	G606P	G606P	G605P
PREMIUM BLACK Cutting Asphalt Over Concrete with Low HP Saw Specifications				
AC64DWP	AC64DWP	AC64DWP	AC62DWP	AC62DWP
PREMIUM BLACK Cutting Asphalt Over Concrete with High HP Saw Specifications				
AC64DWP	AC64DWP	AC64DWP	AC62DWP	AC62DWP

See page 10 for color coded aggregate map of the U.S. and Canada



For use on
walk behind saws.

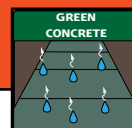
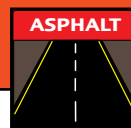


To ensure maximum performance, water is required to cool these blades during the cutting process.

If you need a price for something not shown, please call customer service at (800) 321-5336.



PRO BLUE ASPHALT/GREEN/OVERLAY BLADES



Professional Blue-T

- .310" Diamond Depth
- Same high quality as our Premium Black blade with a taller segment to lower your cutting cost.
- Best used with 35HP and up



See page 12 for undercut protection options

1" arbor with drive pin hole standard.
 Custom arbor sizes/types are available.
 When ordering, please specify arbor size/type if different from 1".
 * Additional blade sizes available upon request.

When determining an Asphalt, Green Concrete or Asphalt over Concrete specification use this formula:

Blade type A, G or AC, (spec #) (grade) optional wear protection) M

A = Asphalt, G = Green Concrete, AC = Asphalt over Concrete
 Example: A606TRM or AC62SWSPQM

Low HP = 18 HP or lower
 High HP = 20 HP or higher

PRO BLUE ASPHALT/GREEN CONCRETE ASPHALT OVER CONCRETE WET BLADES			
SIZE	LIST PRICE WITH 'X' SLANT SEGMENT	LIST PRICE WITH 'R' RADIUS SEGMENT	LIST PRICE WITH 'Q' INSERT SEGMENTS
12" x .125	\$739	\$776	\$813
12" x .140	860	885	1,028
12" x .187	1,033	1,085	1,136
12" x .250	1,274	1,342	1,527
12" x .375	2,016	2,117	2,218
14" x .125	930	977	1,023
14" x .140	1,073	1,127	1,180
14" x .187	1,275	1,353	1,494
14" x .250	1,591	1,671	1,750
14" x .375	2,516	2,460	2,675
16" x .125	1,097	1,123	1,320
16" x .140	1,231	1,293	1,354
18" x .125	1,212	1,275	1,495
18" x .140	1,394	1,455	1,685
18" x .155	1,567	1,610	1,851
18" x .175	1,648	1,746	1,997
18" x .187	1,687	1,755	2,051
18" x .250	2,251	2,364	2,476
20" x .125	1,368	1,399	1,654
20" x .140	1,551	1,589	1,851
20" x .155	1,703	1,746	2,022
20" x .165	1,782	1,717	2,113
24" x .155	2,037	2,088	2,413
24" x .175	2,218	2,275	2,619
24" x .187	2,323	2,382	2,739
26" x .155	2,217	2,328	2,439
26" x .187	2,585	2,666	3,049
30" x .175	2,502	2,570	2,941
30" x .187	2,595	2,725	2,855
32" x .187	---	---	3,255
36" x .175	3,067	3,157	3,493
36" x .187	3,196	3,292	3,722



For use on walk behind saws.



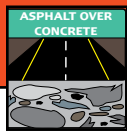
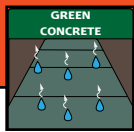
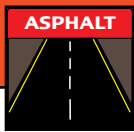
To ensure maximum performance, water is required to cool these blades during the cutting process.

If you need a price for something not shown, please call customer service at (800) 321-5336.

SOFT	MED. SOFT	MEDIUM	MED. HARD	HARD
PRO BLUE Cutting Asphalt with Low HP Saw Specifications				
A635T	A615T	A606T	A605T	A350HT
PRO BLUE Cutting Asphalt with High HP Saw Specifications				
A665T	A635T	A630T	A606T	A605T
PRO BLUE Cutting Green Concrete with Low HP Saw Specifications				
G670T	G680T	G606T	G606T	G605T
PRO BLUE Cutting Green Concrete with High HP Saw Specifications				
G670T	G660T	G606T	G606T	G605T
PRO BLUE Cutting Asphalt Over Concrete with Low HP Saw Specifications				
AC64DWT	AC64DWT	AC64DWT	AC62DWT	AC62DWT
PRO BLUE Cutting Asphalt Over Concrete with High HP Saw Specifications				
AC64DWT	AC64DWT	AC64DWT	AC62DWT	AC62DWT

See page 10 for color coded aggregate map of the U.S. and Canada

Asphalt Wet Blades



SUPER PREMIUM SILVER ASPHALT/GREEN/OVERLAY BLADES



SUPER PREMIUM SILVER ASPHALT/GREEN CONCRETE/ ASPHALT OVER CONCRETE WET BLADES 12"-36"

SIZE	LIST PRICE WITH 'X' SLANT SEGMENT	LIST PRICE WITH 'R' RADIUS SEGMENT	LIST PRICE WITH 'Q' INSERT SEGMENTS
12" x .125	\$844	\$860	\$995
12" x .140	---	---	1,123
12" x .187	1,233	1,201	1,358
14" x .125	1,058	1,111	1,164
14" x .140	1,203	1,252	1,377
14" x .187	1,447	1,515	1,655
14" x .250	1,867	1,915	2,084
14" x .375	2,902	---	3,192
16" x .125	1,231	1,262	1,353
16" x .140	1,369	1,417	1,625
18" x .125	1,385	1,421	1,638
18" x .140	1,608	1,620	1,849
18" x .155	1,750	1,789	2,031
18" x .175	1,883	1,946	---
18" x .187	---	1,956	2,208
18" x .250	2,376	---	2,768
20" x .125	---	1,563	1,898
20" x .140	1,711	1,827	2,025
20" x .155	1,885	1,943	2,217
20" x .165	2,006	2,091	2,348
24" x .155	2,272	2,397	2,647
24" x .187	2,623	2,673	3,026
26" x .155	2,505	2,563	2,844
26" x .187	2,872	2,982	3,359
30" x .175	2,837	2,904	3,245
30" x .187	2,937	3,017	3,392
36" x .187	3,614	---	---

Super Premium Silver-SP

- .375" Diamond Depth
- A high quality long life blade.
- Made with high diamond concentration.
- Especially well suited for sawing in tough applications.



See page 12 for undercut protection options

1" arbor with drive pin hole standard.
Custom arbor sizes/types are available.
When ordering, please specify arbor size/type if different from 1".
* Additional blade sizes available upon request.

When determining an Asphalt, Green Concrete or Asphalt over Concrete specification use this formula:

Blade type A, G or AC, (spec #) (grade) optional wear protection) M

A = Asphalt, G = Green Concrete, AC = Asphalt over Concrete

Example: A606TRM or AC62SWSPQM

Low HP = 18 HP or lower

High HP = 20 HP or higher

SOFT	MED. SOFT	MEDIUM	MED. HARD	HARD
SP SILVER Cutting Asphalt with Low HP Saw Specifications				
A635SP	A615SP	A606SP	A605SP	A350SP
SP SILVER Cutting Asphalt with High HP Saw Specifications				
A665SP	A635SP	A630SP	A606SP	A605SP
SP SILVER Cutting Green Concrete with Low HP Saw Specifications				
G670SP	G660SP	G606SP	G606SP	G605SP
SP SILVER Cutting Green Concrete with High HP Saw Specifications				
G670SP	G660SP	G606SP	G606SP	G605SP
SP SILVER Cutting Asphalt Over Concrete with Low HP Saw Specifications				
AC64DWSP	AC64DWSP	AC64DWSP	AC62DWSP	AC62DWSP
SP SILVER Cutting Asphalt Over Concrete with High HP Saw Specifications				
AC64DWSP	AC64DWSP	AC64DWSP	AC62DWSP	AC62DWSP

See page 10 for color coded aggregate map of the U.S. and Canada



For use on
walk behind saws.

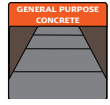
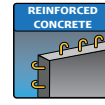


To ensure maximum performance, water is required to cool these blades during the cutting process.

If you need a price for something not shown, please call customer service at (800) 321-5336.



WALL SAW/HAND SAW BLADES



40mm Straight Segment



M

- Original segment for standard cutting and long life

9mm Split Segment



-9

- For fast cutting and enhanced blade life

20mm Split Segment



-20

- Give less resistance for faster and more economical cutting.
- Keeps segments cooler in higher steel applications.
- Not available on U-Gullet Core

16mm Split Segment



-16

- This 'horseshoe' shaped design provides faster cutting speeds and long life and also helps reduce segment loss

Our hand saw blades have multiple unique segment designs to choose from ensuring top performance, speed and life when cutting. All hand saw blades 20" and larger come standard with a 1" arbor and a LYFC bolt pattern. Other flush cut configurations are available upon request. Blades are available in diameters from 1" to 24". Custom sizes are available upon request.

When creating a specification for hand saw blades, use this formula:

W (spec) (grade) -20, -16, -9 or M (Example: W535P-20)

When ordering 40mm blades add M to end of part number: (WP24187M)

When ordering 20mm blades add MM to end of part number: (WP24187MM)

When ordering 16mm blades add M16 to end of part number: (WP24187M16)

When ordering 9mm blades add M9 to end of part number: (WP16187M9)

Bond Specification Chart

Material	Sandwich	Non-Sandwich
Fast cutting hard aggregate	W212	W20
General purpose hard aggregate	W323	W2033
Fast cutting and long life	W3A3	W33
Fast cutting general purpose	W434	W3342
Fast cutting general purpose-extended life in heavy steel and hard aggregate	---	W41
General purpose medium aggregate	W535	W42
Long life general purpose	W545	
Long life soft aggregate, brick & block	W5A5	W50



U-GULLET CORE STYLE

- Holds side clearances better
- Cuts faster due to less surface to surface contact
- Removes slurry more efficiently
- Just order your normal blade(s) and add a 'U' to the end of the part number or bond specification
- Not available in 20mm Split Segment Style



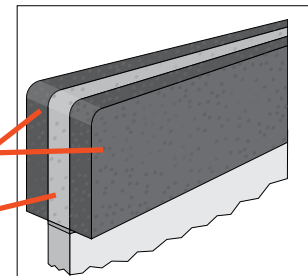
To ensure maximum performance, water is required to cool these blades during the cutting process.

Diamond Depths

Quality Grade	40mm	20mm	16mm	9mm
Premium Black (P)	.250	.310	.310	.310
Professional Blue (T)	.310	.375	.375	.375
Super Premium Silver (SP)	.375	.437	.450	.450

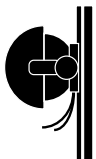
Sandwich Seg Wall Saw Blades

- Faster cutting-blades maintain better clearance for their full life and better tracking in the cut
- Longer life-sandwich segs help keep blades that are 75% worn in use by preventing breakdown due to binding and lack of side clearance



High Diamond Concentration

Low Diamond Concentration



For use on wall saws or hydraulic hand saws



HYDRAULIC HAND SAW BLADES



20MM



40MM



Premium Black

Size	Standard Core List Prices 9mm/16mm/20mm/40mm	U-Gullet Core List Prices 9mm/16mm/40mm
14" x .125	\$709	\$674
14" x .140	741	704
16" x .125	828	787
16" x .140	878	834
18" x .125	908	---
18" x .187	1,223	1,162
18" x .210	1,297	1,232
18" x .220	1,431	1,359
18" x .250	1,683	1,599
20" x .125	1,040	988
20" x .140	1,097	1,042
20" x .155	1,180	---
20" x .165	1,245	1,183
20" x .187	1,343	1,276
20" x .210	1,397	1,327
20-5/8" x .125	1,052	999
20-5/8" x .140	1,097	---
24" x .140	1,354	1,286

9MM



16MM



Pro Blue

Size	Standard Core List Prices 9mm/16mm/20mm/40mm	U-Gullet Core List Prices 9mm/16mm/40mm
14" x .125	\$822	\$781
14" x .140	869	826
16" x .125	943	896
16" x .140	1,000	950
18" x .125	1,031	979
18" x .187	1,352	1,284
18" x .210	1,434	1,362
18" x .220	1,589	1,510
18" x .250	1,830	1,739
20" x .125	1,148	1,091
20" x .140	1,203	1,143
20" x .155	1,270	1,207
20" x .165	1,338	1,271
20" x .187	1,470	1,397
20" x .210	1,556	1,478
20-5/8" x .125	1,172	---
20-5/8" x .140	1,203	1,143
24" x .140	1,394	1,324

Super Premium Silver

Size	Standard Core List Prices 9mm/16mm/20mm/40mm	U-Gullet Core List Prices 9mm/16mm/40mm
14" x .125	\$837	---
14" x .140	940	---
16" x .125	967	919
16" x .140	1,027	---
18" x .125	1,059	1,006
18" x .187	1,486	1,412
18" x .210	1,579	1,500
18" x .220	1,726	---
18" x .250	1,985	---
20" x .125	1,217	1,156
20" x .140	1,288	1,224
20" x .155	1,373	---
20" x .165	1,456	---
20" x .187	1,623	1,542
20" x .210	1,714	---
20-5/8" x .125	1,217	1,156
20-5/8" x .140	1,288	\$1,224
24" x .140	1,551	1,473





WALL SAW BLADES

Premium Black		
Size	Standard Core List Price 9mm/16mm/20mm/40mm	U-Gullet Core List Price 9mm/16mm/40mm
18" x .125	\$908	---
18" x .187	1,223	1,162
18" x .210	1,297	1,232
18" x .220	1,431	1,359
18" x .250	1,683	1,599
20" x .125	1,040	988
20" x .140	1,097	1,042
20" x .155	1,180	---
20" x .165	1,245	1,183
20" x .187	1,343	1,276
20" x .210	1,397	1,327
20-5/8" x .125	1,052	999
20-5/8" x .140	1,097	---
24" x .140	1,354	1,286
24" x .187	1,624	1,543
24" x .210	1,721	1,635
24" x .220	1,894	1,799
24" x .250	2,251	2,138
26" x .187	1,822	1,731
26" x .210	1,961	1,863
30" x .175	1,970	1,872
30" x .187	2,013	1,912
30" x .210	2,171	2,062
30" x .220	2,454	2,331
30" x .250	2,813	2,672
32" x .175	2,219	---
32" x .187	2,403	2,283
32" x .210	2,573	2,444
36" x .175	2,530	2,404
36" x .187	2,573	2,444
36" x .210	2,747	2,610
36" x .220	2,802	2,662
36" x .250	3,403	3,233
42" x .187	3,619	3,438
42" x .210	3,934	3,737
42" x .250	4,114	---
48" x .210	4,272	---
48" x .250	4,632	4,400
54" x .210	5,341	5,074
54" x .250	5,738	---
60" x .220	6,869	---
72" x .220	12,260	---

Pro Blue		
Size	Standard Core List Price 9mm/16mm/20mm/40mm	U-Gullet Core List Price 9mm/16mm/40mm
18" x .125	\$1,031	\$979
18" x .187	1,352	1,284
18" x .210	1,434	1,362
18" x .220	1,589	1,510
18" x .250	1,830	1,739
20" x .125	1,148	1,091
20" x .140	1,203	1,143
20" x .155	1,270	1,207
20" x .165	1,338	1,271
20" x .187	1,470	1,397
20" x .210	1,556	1,478
20-5/8" x .125	1,172	---
20-5/8" x .140	1,203	\$1,143
24" x .140	1,394	1,324
24" x .187	1,753	1,665
24" x .210	1,907	1,812
24" x .220	2,058	1,955
24" x .250	2,466	2,343
26" x .187	1,971	1,872
26" x .210	2,128	2,022
30" x .175	2,187	2,078
30" x .187	2,250	2,138
30" x .210	2,418	2,297
30" x .220	2,616	2,485
30" x .250	3,049	2,897
32" x .175	2,522	2,396
32" x .187	2,655	2,522
32" x .210	2,768	2,630
36" x .175	2,773	2,634
36" x .187	2,833	2,691
36" x .210	3,016	2,865
36" x .220	3,205	3,045
36" x .250	3,647	3,465
42" x .187	3,918	3,722
42" x .210	4,110	---
42" x .250	4,428	4,207
48" x .210	4,668	---
48" x .250	5,026	---
54" x .210	5,457	---
54" x .250	5,797	---
60" x .220	7,024	---
72" x .220	12,665	---

When creating a specification for hand saw blades, use this formula:

W (spec) (grade) -20, -16, -9 or M (Example: W535P-20)

When ordering 40mm blades add M to end of part number. (WP24187M)

When ordering 20mm blades add MM to end of part number. (WP24187MM)

When ordering 16mm blades add M16 to end of part number. (WP24187M16)

When ordering 9mm blades add M9 to end of part number (WP16187M9)

U-Gullet core is not available for 20mm blades.

U-Gullet core is available for 40mm blades upon request.



To ensure maximum performance, water is required to cool these blades during the cutting process.

Bond Specification Chart

Material	Sandwich	Non-Sandwich
Fast cutting hard aggregate	W212	W20
General purpose hard aggregate	W323	W2033
Fast cutting and long life	W3A3	W33
Fast cutting general purpose	W434	W3342
Fast cutting general purpose-extended life in heavy steel and hard aggregate	---	W41
General purpose medium aggregate	W535	W42
Long life general purpose	W545	---
Long life soft aggregate, brick & block	W5A5	W50



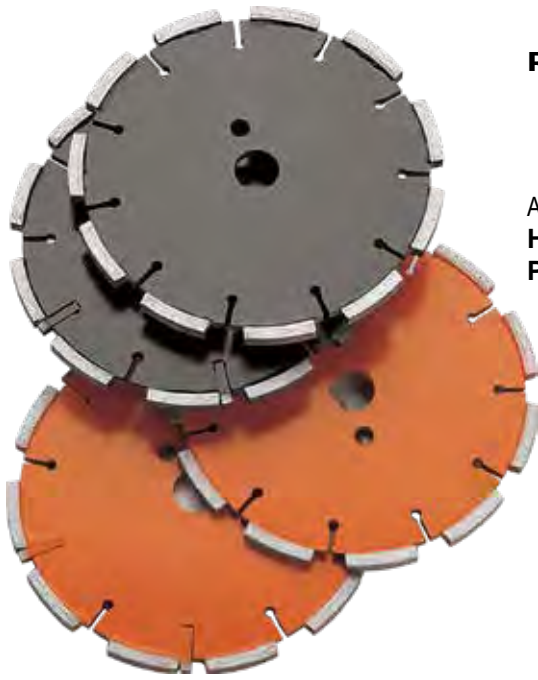
Super Premium Silver		
Size	Standard Core List Price 9mm/16mm/20mm/40mm	U-Gullet Core List Price 9mm/16mm/40mm
18" x .125	\$1,059	\$1,006
18" x .187	1,486	1,412
18" x .210	---	1,500
18" x .220	1,726	---
18" x .250	1,985	---
20" x .125	1,217	1,156
20" x .140	1,288	1,224
20" x .155	1,373	---
20" x .165	---	---
20" x .187	1,623	1,542
20" x .210	1,714	---
20-5/8" x .125	1,217	1,156
20-5/8" x .140	1,288	1,224
24" x .140	1,551	1,473
24" x .187	1,952	1,854
24" x .210	2,126	2,020
24" x .220	2,287	2,173
24" x .250	2,761	2,623
26" x .187	2,235	2,123
26" x .210	2,390	2,271
30" x .175	2,398	---
30" x .187	2,501	2,376
30" x .210	2,660	2,527
30" x .220	2,847	2,705
30" x .250	3,422	3,251
32" x .175	2,517	---
32" x .187	2,691	2,556
32" x .210	2,816	---
36" x .175	---	---
36" x .187	3,089	2,935
36" x .210	3,345	3,178
36" x .220	3,572	3,393
36" x .250	4,083	3,879
42" x .187	4,212	4,001
42" x .210	---	---
42" x .250	4,886	4,642
48" x .210	5,012	---
48" x .250	5,503	---
54" x .210	---	---
54" x .250	6,394	---
60" x .220	7,219	---



To ensure maximum performance, water is required to cool these blades during the cutting process.



CRACK SAW & LOOP BLADES



Random Crack Saw Blades

- Random Crack Saw Blades are used to prepare random cracks for resealing with joint sealant material

Available Quality Grades:

Heavy Duty Orange (H) (.250" diamond depth)

Premium Black (P) (.275" diamond depth)

Random Crack Saw Specifications		
Aggregate Type	Green Concrete	Cured Concrete
Hard to Medium Hard	G64DW	C56
Soft	G606DW	C60

Random Crack Saw Blades				
SIZE*	H.D. Orange (H) Part #	H.D. Orange LIST PRICE	Premium Black (P) Part #	Premium Black List Price
5" x .250	CCH05250	\$437	CCP05250	\$559
5" x .375	CCH05375	571	CCP05375	733
5" x .500	CCH05500	710	CCP05500	905
6" x .250	CCH06250	499	CCP06250	632
6" x .375	CCH06375	650	CCP06375	828
6" x .500	CCH06500	801	CCP06500	1,017
7" x .250	CCH07250	593	CCP07250	789
7" x .375	CCH07375	810	CCP07375	1,028
7" x .500	CCH07500	995	CCP07500	1,271
8" x .250	CCH08250	688	CCP08250	871
8" x .375	CCH08375	890	CCP08375	1,137
8" x .500	CCH08500	1,096	CCP08500	1,398

All crack saw blades can be either laser welded or silver brazed upon request. Undercut protection may be added to any random crack saw blade.

* Additional blade sizes are available upon request.



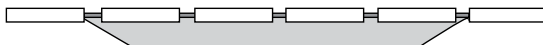
Traffic Loop Blades

Disc style core for use on competition style loop saws. Uses asphalt or concrete wet blade specifications-give us your application and we'll determine the blade for you. **Used for cutting wide joints for laying electric wire to activate traffic signals.**

Typical grades include:

Premium Black (P) (.275" diamond depth)

Professional Blue (T) (.310" diamond depth)



LOOP BLADE PROFILE VIEW

Traffic Loop Blades				
SIZE	Premium Black (P) Part #	Premium Black List Price	Pro Blue (T) Part #	Pro Blue List Price
14" x .375	CLP14375	3,450	CLT14375	3,504
18" x .375	CLP18375	4,273	CLT18375	4,341



To ensure maximum performance, water is required to cool these blades during the cutting process.



Bevel Blades

- Bevel wet blades are used in pairs with each blade having a 45 degree angle giving the user a 90 degree bevel in the cut.
- Blades must be ordered in pairs
- Bevel blades can be redressed to maintain chamfer for angle
- Diamond depth varies based on quality grade, thickness and angle thickness

Bevel Blades				
SIZE	H.D. Part #	H.D. List Price	Premium Part #	Premium List Price
8" x .250	CH08250MBVL	\$633	CP08250MBVL	\$823
12" x .250	CH12250MBVL	950	CP12250MBVL	1,193
12" x .500	CH12500MBVL	1,995	CP12500MBVL	2,520

Bevel Blade Specifications	
Aggregate Type	Specification
Hard	C56
Medium Hard	C60
Soft	C64

Additional blade sizes are available upon request. Prices are per single blade.

Available Quality Grades:

Heavy Duty Orange (H)

Premium Black (P)

(Spacers sold separately)

Refractory Blades

- Long Lasting, Fast Cutting in a Wide Range of Refractory Materials.

Available high concentration quality grades:

Heavy Duty Orange (H) (.295" diamond depth)

Premium Black (P) (.250" diamond depth)

Supreme Silver (U) (.250" diamond depth)

Refractory Blades						
SIZE	H.D. Orange (H) Part #	H.D. Orange List Price	Premium Black (P) Part #	Premium Black List Price	Supreme Silver (U) Part #	Supreme Silver List Price
12" x .110	RH12110M	\$393	RP12110M	\$531	RU12110M	\$639
12" x .125	RH12125M	416	RP12125M	578	RU12125M	696
14" x .110	RH14110M	488	RP14110M	645	RU14110M	765
14" x .125	RH14125M	524	RP14125M	704	RU14125M	826
16" x .125	RH16125M	585	RP16125M	748	RU16125M	995
18" x .125	RH18125M	666	RP18125M	850	RU18125M	1,030
20" x .125	RH20125M	757	RP20125M	961	RU20125M	1,146

Refractory Blade Specifications	
Material/Abrasive Level	Specification
High alumina, hard materials, fast cutting	R92
Medium duty fire brick, fast cutting	R95
General purpose, insulating brick, ladle brick	R98
Long life for silicon carbide & other abrasive materials	R99



1" arbor with drive pin hole is standard. Custom arbor sizes/types available upon request. When ordering, please specify arbor size/type. Additional blade sizes available upon request.

Refractory materials are used in linings for furnaces, kilns, incinerators and reactors.



To ensure maximum performance, water is required to cool these blades during the cutting process.



JOINT WIDENING BLADES



Available Quality Grades:

Heavy Duty Orange (H) (.250" depth)

Premium Black (P) (.275" depth)

Professional Blue (T) (.310" depth)

Joint Widening & Cleaning

- Widen control joints in green concrete or old sealed joints in cured concrete.
- Used in pairs with spacers, which allow the desired joint width to be maintained by flipping the blades inside out as the side gauge wears on the outside edge
- Spacers used between joint blades are made specifically for your machine and application

Joint Widening Blades						
SIZE	H.D. Part #	H.D. List Price	Premium Part #	Premium List Price	Pro Blue Part #	Pro Blue List Price
12" x .187	AH12187M	\$781	AP12187M	\$935	AT12187M	\$1,033
12" x .220	AH12220M	909	AP12220M	1,164	AT12220M	1,250
12" x .250	AH12250M	942	AP12250M	1,176	AT12250M	1,274
14" x .187	AH14187M	943	AP14187M	1,177	AT14187M	1,275
14" x .250	AH14250M	1,159	AP14250M	1,507	AT14250M	1,591

Joint Widening & Cleaning Specifications	
Aggregate Type	Specification
Hard-Average Abrasive	G62DW
Hard-High Abrasive	G64DW
Med Hard-Average Abrasive	G605DW
Soft-High Abrasive	G606DW

* Additional blade sizes are available upon request.

Ninja Joint Cleaning Blades

Used in pairs for fast, aggressive removal of sealants and compressibles in existing control joints while cutting joint face into smooth surface for resealing.

See Joint Widening Specifications for Bonds.

Available Quality Grades:

Heavy Duty Orange (H) (.250" diamond depth)

Premium Black (P) (.275" diamond depth)

Professional Blue (T) (.310" diamond depth)



Ninja Joint Cleaning Blades						
SIZE	H.D. Part #	H.D. List Price	Premium Part #	Premium List Price	Pro Blue Part #	Pro Blue List Price
12" x .187	CNH12187M	\$525	CNP12187M	\$688	CNT12187M	\$764
12" x .220	CNH12220M	642	CNP12220M	809	CNT12220M	914
12" x .250	CNH12250M	681	CNP12250M	942	CNT12250M	992
14" x .187	CNH14187M	647	CNP14187M	891	CNT14187M	1,007
14" x .220	CNH14220M	831	CNP14220M	911	CNT14220M	1,238
14" x .250	CNH14250M	900	CNP14250M	1,176	CNT14250M	1,258

These are typical blades sizes. Custom sizes may be available.

*Ninja blades must be used in pairs. Prices listed are for single blades. Spacers are required for Ninja blades. Please call the factory for customized spacers.

Spacers are used between Ninja blades and are made specifically for your machine and application. (Spacers sold separately.)



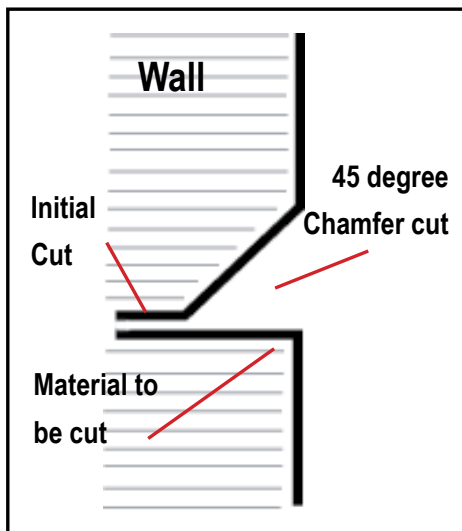
To ensure maximum performance, water is required to cool these blades during the cutting process.



Chamfer Grinding Blade

- 45 degree angled segments on thick disc to make chamfer cuts for decorative and angle applications in concrete and other wall materials
- Can be used in pairs
- Special Premium grade diamonds for long life
- For use on wall saws or walk behind saws
- Works great on our CC1600 wall saw

Chamfer Special Grinding Blade				
Size	Part #	Cat #	Description	List Price
12" x .250" x 1"	CP12250CHF15	04094	Premium with 1.575" long, 45 degree segments	\$3,283
12" x .250" x 1"	CP12250CHF1	41198	Premium with 1" long, 45 degree segments	3,128
12" x .250" x 1"	CP12250CHF1527	57392	Premium with 1" long, 27 degree segments	3,202



For use on walk behind saws.



For use on wall or hydraulic hand saws.



Grooving & Grinding Heads

Diamond Products helps maximize the life of its grooving and grinding heads by matching the correct diamond concentrations with machine horsepower

We manufacture high quality, long lasting CORE CUT™ grinding and grooving blades in all arbors for all types of machines. Call your local sales representative for blade specifications that fit your grooving and grinding machine.



To ensure maximum performance, water is required to cool these blades during the cutting process.



GRINDING BLOCKS & HEADS



Aluminum Disc Shown with Grinding Blocks



Diamond Segmented Grinding Block

Carbide Cutting Block

Grinding blocks have a bolt-on back which offers a more secure holding of the diamond grinding block.



GB4000XT Super Premium Block-11mm segment height-extra long life

*Designed for our dual head floor grinders. Recommended to replace all 6 blocks at the same time.

Floor Grinding Blocks

- Grinding blocks designed for wet floor grinding
- Can be easily re-segmented
- Set of three or six diamond blocks available that also work with competition-style floor grinders
- Works best for grinding high spots, preparation for new finished or polished concrete floors
- Made with top quality diamonds to ensure long lasting, fast grinding efficiency

Diamond Grinding Blocks

Part #	CAT #	Application	Spec	List Price
GB4000	39674	Hard Concrete, Non-Abrasive	GB64	\$203
GB4000	68323	General Purpose	GB66	203
GB4000	76121	Epoxy Mortar, Long Life	GB68	203
GB4000XT	40386	Super Premium, General Purpose	GBXT	253

Terrazzo Grinding-Contains Diamonds

GB4000	43782	60 Grit	GB50T60	\$203
GB4000	60218	80 Grit	GB50T80	203
GB4000	45915	120 Grit	GB50T120	203

Grinding Block Steel Shoe with 4 Segments

GB4000S	93642	Hard Concrete, Non-Abrasive	GB50	\$166
GB4000S	54071	Medium Hard Concrete	GB60	166
GB4000S	96260	Medium Concrete	GB64	166
GB4000S	96261	General Purpose	GB66	166
GB4000S	95837	Abrasive Materials	GB68	166
GB4000SV	33913	Extremely Hard Concrete (bolt on)	C19	243
GB4000SV	74985	Very Hard Concrete (bolt on)	C42	243
GB4000SV	33910	Hard Concrete (bolt on)	C51W	243
CCB4000	72741	Carbide Cutting Block	---	268
CCBI4000	85627	Carbide Cutting Insert Only	---	67
6041057	55473	Aluminum Disc-Right Side w/3 slot	---	146
6041058	47862	Aluminum Disc-Left Side w/3 slot	---	146
WEDGES	46872	Wooden Wedges for Holding Grinding Stones (See Abrasives Section)	---	1

PCD Grinding

For epoxy and glue removal. Use in multiples on 8" or 10" grinding head.

For use on **CORE CUT** single or dual head floor grinders.



PCD Grinding Wing

PCD Grinding Heads

Part #	CAT #	Application	List Price
PCDWING	21751	PCD wing for grinding (3 pieces per grinding head)	\$186
GH08PCD	13406	8" grinding head with 2 PCD grinding wings	549
GH10PCD	23758	10" grinding head with 3 PCD grinding wings	708
GH10PCDLEFT	54116	10" grinding head (Left) with 3 PCD grinding wings	708
CGPC4500	14986	4-1/2" x 5/8-11 PCD General Purpose Cup Grinder for epoxy, glue & mastic removal	335
CGPC7000	21715	7" x 5/8-11 PCD General Purpose Cup Grinder for epoxy, glue & mastic removal	419



PCD grinding heads use the DRY discount. All other grinding heads use the Wet discount.



For use on floor grinding machines.



To ensure maximum performance, water is required to cool grinding tools during the grinding process.



Floor Grinding Heads

- Large 10" and 12" grinding heads that take the rough spots out of concrete surfaces in a hurry along with an 8" head for smaller units
- Effective on floors, streets, highways, sidewalks and more
- Cleans, levels and smooths bumps and uneven areas
- Removes rain spots and epoxies
- For use on Core Cut floor grinders and other similar machines



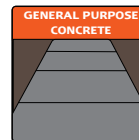
8" Heavy Duty Orange Floor Grinding Heads			
Material, Abrasive Level	8", 12 Seg Specification	CAT #	List Price
Hard, Non-Abrasive	GSH9	03330	\$539
Soft, Abrasive	GHH9	14317	539

10" Heavy Duty Orange Floor Grinding Heads			
Material, Abrasive Level	10", 12 Seg Specification	CAT #	List Price
Hard, Non-Abrasive	GSH10	11393	\$603
Soft, Abrasive	GHH10	23592	603
Material, Abrasive Level	10", 24 Seg Specification	CAT #	List Price
Hard, Non-Abrasive	GSH20	11401	\$999
Soft, Abrasive	GHH20	11398	999

12" Heavy Duty Orange Floor Grinding Heads			
Material, Abrasive Level	12", 12 Seg Specification	CAT #	List Price
Hard, Non-Abrasive	GSH12	69786	\$852
Soft, Abrasive	GHH12	76758	852
Material, Abrasive Level	12", 24 Seg Specification	CAT #	List Price
Hard, Non-Abrasive	GSH24	39534	\$1,247
Soft, Abrasive	GHH24	38541	1,247

10" Premium Black Floor Grinding Heads			
Material, Abrasive Level	10", 12 Seg Specification	CAT #	List Price
Hard, Non-Abrasive	GSP10	11406	\$746
Soft, Abrasive	GHP10	20198	746
Material, Abrasive Level	10", 24 Seg Specification	CAT #	List Price
Hard, Non-Abrasive	GSP20	00019	\$1,264
Soft, Abrasive	GHP20	11410	1,264

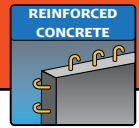
12" Premium Black Floor Grinding Heads			
Material, Abrasive Level	12", 12 Seg Specification	CAT #	List Price
Hard, Non-Abrasive	GSP12	41193	\$1,003
Soft, Abrasive	GHP12	41194	1,003
Material, Abrasive Level	12", 24 Seg Specification	CAT #	List Price
Hard, Non-Abrasive	GSP24	39164	\$1,494
Soft, Abrasive	GHP24	40051	1,494



For use on floor grinding machines.



To ensure maximum performance, water is required to cool grinding heads during the grinding process.



Diamond Beaded Wire

For use on all Core Cut wire saws for cutting reinforced concrete, masonry stone and metals. Available with rubber injected and plastic coated versions in Premium and Supreme grades.



BSG3 (Sharpened) – Electroplated Ultra Grade for Reinforced Concrete - 46 beads per meter

BSG3 – Electroplated Ultra Grade for Reinforced Concrete - 40 beads per meter



WS3C – Sintered Diamond Super Grade for Reinforced Concrete - 40 bead per meter



WV3B – Vacuum Brazed Ultra Grade for Reinforced Concrete 40 beads per meter



DWHP2S – Electroplated Super Grade for Steel - 46 beads per meter - Used on higher HP machines

BS-421 – Impregnated Premium Grade for Reinforced Concrete - 40 beads per meter

BS-30 – Impregnated Supreme Grade for Reinforced Concrete - 40 bead per meter - used for higher HP machines



BRW – Electroplated Super Grade - Wider Cut in Reinforced Concrete - 40 beads per meter

Diamond Beaded Wire							
Description	Color/Coating	Concentration	Diamond Grade	Specification	Part #	Cat #	List Price
10.2mm x 6mm Electroplated Wire (ideal for heavily reinforced concrete)	Black/Rubber	High	Ultra	BSG3	WRD10.2EP3S	48781	\$140
10mm x 6mm Electroplated Wire	Yellow/Rubber	High	Ultra	BSG3 (sharpened)	SWRD10EP3	28154	161
11mm x 6.5mm Sintered Wire	Black/Rubber	Very High	Super	WS3C	WRD1165PR	84547	150
10.2mm x 5.5mm Vacuum Brazed Wire	Orange/Rubber	Very High	Ultra	WV3B	WRD10255PR	79498	137
10.5mm x 5mm Electroplated Wire (For Steel Only)	Yellow/Rubber	High	Super	DWHP2S	WR1150URS	34118	165
11mm x 6mm Impregnated Wire	Yellow/Rubber	High	Premium	BS-421	WR1160PR	57519	151
11mm x 6mm Impregnated Wire	Yellow/Rubber	Very High	Supreme	BS-30	WR1160UR	99948	170
15mm x 5.5mm Electroplated Wire	Black/Rubber	High	Super	BRW	WR1555R	02205	178



HT45 Hydraulic Crimping Tool

Makes it easy to repair or connect diamond wire more easily



HT45 Crimping Tool Jaws

(set of 2 pieces) Measures:
1.100" wide x .355" thick x .830 high



Hand Crimping Tool



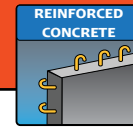
Screw Connectors



High Quality Diamond Beads

Wire and Bead Accessories

Description	Part #	Cat #	List Price
Brass Crimp Bead	1900182	00161	\$1
Swivel Crimp Pin	724037	87592	2
3/16" Galvanized Wire	1900235	53461	5
5/16" Wire Connector for use with 1400521 jaw set	1900183	00162	3
Swivel Crimp Tool	860404	67966	1,000
Hand Crimping Tool	1900074	00160	1,042
Wire Connectors 3/8"	1400177	74910	30
C-12 Hand Held Wire Cutter	1900073	00159	952
HT45 Hydraulic Crimping Tool	1400174	68408	1,795
Threaded crimps 7mmx20mm (inside thread)	1900296	82513	3
Crimping Jaws Use with Ht45	1400297	72310	125
Screw Wire Connector for Diamond Wire	1400180	51176	43
Swivel Wire Connector	1400178	48176	99
Wire Connector 5/16" Diameter	1900183	00162	3
Short Wire Connector 3/8" for Diamond Wire	1400177	74910	31
Crimping jaws use with HT45 and ONLY 5/16" crimp	1400521	42848	315



Dragon Claw Ring Saw Blades

- For use ONLY with the Dragon Ring Saw
- Special 16mm split segments for fast cutting and slurry removal
- Use with water only
- 12" cutting depth with 16" blade
- 16" cutting depth with 20" blade



Wear plate is included with Dragon Claw blades.

See Dragon Saw operator's manual for replacement frequency and instructions.

Replacement Wear Plate:
Part #-6061184, Cat # 86515 - \$184

Ring Saw Blades Specs

CRSDR18HM-16	Extremely Hard Aggregate with Heavy Steel (specifically designed for electric and gas Dragon saws)
CRSDR20HM-16	Very Hard Aggregate
C41HM-16	Hard Aggregate
C42HM-16	Hard to Medium Hard Aggregate

Heavy Duty Orange Wet Dragon Claw Ring Blades with Wear Plate

SIZE	C41HM-16 CAT #	C42HM-16 CAT #	CRSDR18HM-16 CAT #	CRSDR20HM-16 CAT #	List Price
12" x .155	-	-	69664	77770	\$791
16" x .155	29301	93866	61775	38330	1,456
20" x .155	29303	93865	61781	16362	1,625

Wear plate is included with each Dragon Claw Ring blade



NOTE: These blades DO NOT fit the Dragon Ring Saw

Ring Saw Blades Specs

C42HM	Very Hard Aggregate
C42WHM	Very Hard Aggregate with High Steel
C50HM	Hard Aggregate
C51WHM	Medium Hard Aggregate with Moderate Steel
G50HM	Green Concrete with Hard Aggregate

Wet Ring Saw Blades

- Available with or without drive wheel
- Custom wet bond specifications available
- Offers a 10" cutting depth
- Use for pre-cutting or following chain cutting
- For use on competition-style ring saws

Wet Ring Saw Blades

SIZE	CAT #	Specification	List Price
14" x .165	90666	C42HM	\$677
14" x .165	92209	C50HM	677
14" x .165	90021	C51WHM	677
14" x .165	92527	G50HM	677
14" x .235	91403	C42WHM	976
14" x .235	91404	C51WHM	976
14" x .165	91495*	C42HM	745
14" x .165	92666*	C50HM	745
14" x .165	90134*	C51WHM	745
14" x .165	54864*	G50HM	745
14" x .235	92576*	C42WHM	1,044
14" x .235	91057*	C51WHM	1,044

* Denotes blades that include drive wheel.



To ensure maximum performance, water is required to cool wire during the cutting process.

DRY BLADE SPECIFICATIONS



HIGH SPEED BLADE SPECIFICATIONS						
Application	Delux Cut	Star Blue	Standard Gold	Imperial Purple	X-Tra Plus Red	Heavy Duty Orange MAXX
Quality #	1	2	3	4	5	6
Reinforced Concrete	H7D	H7B	H7S	H7I	H7X	H7H
Hard Aggregate Concrete	H7D	H7B	H7S	H7I	H7X	H7H
Concrete	H8D	H8B	H8S	H8I	H8X	H8H
Asphalt	H10D	H10B	H10S	H10I	H10X	H10H
Green Concrete	H10D	H10B	H10S	H10I	H10X	H10H
Brick & Block	H10D	H10B	H10S	H10I	H10X	H10H

SMALL DIAMETER BLADE SPECIFICATIONS						
Application	Delux Cut	Star Blue	Standard Gold	X-Tra Plus Red	Heavy Duty Orange	Premium Black
Quality #	1	2	3	4	5	6
Reinforced Concrete	E2D	E2B	E2S	E2X	E2H	E2P
Hard Aggregate Concrete	E2D	E2B	E2S	E2X	E2H	E2P
Concrete	E2D	E2B	E2S	E2X	E2H	E2P
Asphalt	E5D	E5B	E5S	E5X	E5H	E5P
Green Concrete	E5D	E5B	E5S	E5X	E5H	E5P
Brick & Block	E5D	E5B	E5S	E5X	E5H	E5P

MASONRY BLADE SPECIFICATIONS					
Application	Delux Cut	Star Blue	Standard Gold	Heavy Duty Orange	Premium Black
Quality #	1	2	3	5	6
Hard Materials, Hard Brick	DM80B	DM80B	DM80S	DM80H	DM80P
Concrete Combo Brick/Block	DM85D	DM85B	DM85S	DM85H	DM85P
Combo Brick/Block	DM86D	DM86B	DM86S	DM86H	DM86P
Abrasive Brick/Block	DM87D	DM87B	DM87S	DM87H	DM87p

BLADE BUSHINGS			
Description	Part #	Cat #	List Price
7/8" outside diameter x 5/8" inside diameter x .045 thickness	1700001	00099	\$1
7/8" outside diameter x 5/8" inside diameter x .125 thickness	1700004	00102	5
7/8" outside diameter x 20 MM inside diameter x .125 thickness	1700005	00104	2
1" outside diameter x 20 MM inside diameter x .070 thickness	1700007	00106	6
1" outside diameter x 7/8" inside diameter x .070 thickness	1700009	00109	4
1-3/8" outside diameter x 1" inside diameter x .110 thickness	1700010	00110	18
1" outside diameter x 5/8" inside diameter x .070 thickness	1700011	00111	9
DIAMOND outside diameter x 5/8" inside diameter x .045 thickness	1700013	00113	1
1" outside diameter x 20 MM inside diameter x .375 thickness	1700020	00116	6
1" outside diameter x 7/8" inside diameter x .375 thickness	1700043	00129	10
1" outside diameter x 20MM inside diameter x .250 thickness	1700122	46799	4
1" outside diameter x 20MM inside diameter x .200 thickness * for FastCut saws	1700134	50326	4



HIGH SPEED BLADES



Diamond Depth: .440" (11mm)
Segment Height: .540" (14mm)

Diamond Depth: .375" (10mm)
Segment Height: .475" (12mm)

Diamond Depth: .395" (10mm)
Segment Height: .470" (12mm)

Delux-Cut

- Basic quality diamond and economical cutting value
- Sintered segment

Star Blue

- Good quality diamond and good cutting value

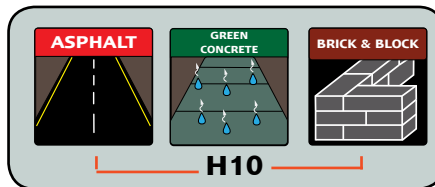
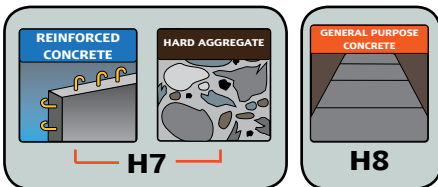
Standard Gold

- Better quality diamond and better cutting value

H8D		
SIZE	CAT #	List Price
10" x .110 x 1"	22856	\$105
12" x .110 x 1"	70495	119
14" x .125 x 1"	70499	126
16" x .125 x 1"	20926	259
H8D 5-Packs		
12" x .110 x 1"	01795	\$571
14" x .125 x 1"	01796	605
H8D 10-Packs		
12" x .110 x 1"	17560	\$1,142
14" x .125 x 1"	17580	1,210
H10D		
12" x .110 x 1"	50526	\$119
14" x .125 x 1"	50537	126
16" x .125 x 1"	50545	259
H10D 5-Packs		
12" x .110 x 1"	50563	\$571
14" x .125 x 1"	50595	605

H8B		
SIZE	CAT #	List Price
10" x .110 x 1"	17710	\$134
12" x .110 x UNV	92398	138
14" x .125 x UNV	85261	195
16" x .125 x UNV	21424	346
18" x .125 x 1"	63599	351
H8B 5-Packs		
12" x .110 x UNV	95054	\$662
14" x .125 x UNV	95055	936
H10B		
12" x .125 x 1"	03048	\$138
14" x .125 x 1"	14355	195
16" x .125 x UNV	21217	346
H10B 5-Packs		
12" x .125 x 1"	36841	\$662
14" x .125 x 1"	15889	936

H7S		
SIZE	CAT #	List Price
12" x .110 x UNV	57706	\$204
14" x .125 x UNV	57719	255
16" x .125 x UNV	91674	383
18" x .125 x 1"	16868	594
20" x .125 x 1"	28271	665
H8S		
12" x .110 x UNV	57707	\$204
14" x .125 x UNV	57720	255
16" x .125 x UNV	92873	383
H10S		
12" x .110 x UNV	57708	\$204
14" x .125 x UNV	57721	255
16" x .125 x UNV	91767	383
18" x .125 x 1"	14395	594
20" x .125 x 1"	13846	665



Specifications:

H7 - Reinforced concrete and hard materials

H8 - General Concrete

H10 - Asphalt, green concrete, brick and block

UNV = 1" to 20mm universal knockout arbor
1" arbor blades include a 20mm bushing

HIGH SPEED BLADES



Diamond Depth:
.394" (10mm)
Segment Height:
.494" (13mm)

Diamond Depth:
.250" (6mm)
Segment Height:
.350" (9mm)

Diamond Depth:
.295" (7mm)
Segment Height:
.395" (10mm)

Imperial Purple

- Better quality diamond and very good cutting life

H8I		
SIZE	CAT #	List Price
12" x .110 x UNV	85149	\$312
14" x .125 x UNV	78976	437
16" x .125 x UNV	96480	547
18" x .125 x 1"	34504	885
20" x .140 x 1"	29041	910
H10I		
12" x .110 x UNV	15376	\$312
14" x .125 x UNV	15379	437
16" x .125 x UNV	15381	547
18" x .125 x 1"	39209	885
20" x .140 x 1"	35259	910

X-tra Plus Red

- Higher quality diamond and long cutting life

H7X		
SIZE	CAT #	List Price
10" x .110 x 1"	11762	\$361
12" x .110 x UNV	53710	411
12" x .125 x UNV	53717	449
14" x .110 x UNV	53721	513
14" x .125 x UNV	53725	554
16" x .125 x UNV	75606	656
18" x .125 x 1"	15713	716
20" x .125 x 1"	11802	819
H8X		
10" x .110 x 1"	11763	\$361
12" x .110 x UNV	53714	411
12" x .125 x UNV	53718	449
14" x .110 x UNV	53722	513
14" x .125 x UNV	53726	554
16" x .125 x UNV	89386	656
18" x .125 x 1"	11799	716
20" x .125 x 1"	15137	819
H10X		
10" x .110 x 1"	11761	\$361
12" x .110 x UNV	53715	411
12" x .125 x UNV	53719	449
14" x .110 x UNV	53723	513
14" x .125 x UNV	53727	554
16" x .125 x UNV	76291	656
18" x .125 x 1"	11798	716
20" x .125 x 1"	11801	819

Heavy Duty Orange MAXX

- Very high quality diamond and longer cutting life

H7H		
SIZE	CAT #	List Price
10" x .110 x 1"	11421	\$438
12" x .110 x UNV	53729	491
12" x .125 x UNV	53733	539
14" x .110 x UNV	53737	618
14" x .125 x UNV	53741	668
14" x .235 x 1"	11546	1,196
16" x .125 x UNV	91045	785
18" x .125 x 1"	11555	873
20" x .125 x 1"	11560	1,002
H8H		
10" x .110 x 1"	11422	\$438
12" x .110 x UNV	53730	491
12" x .125 x UNV	53734	539
14" x .110 x UNV	53738	618
14" x .125 x UNV	53742	668
14" x .235 x 1"	11547	1,196
16" x .125 x UNV	90185	785
18" x .125 x 1"	11556	873
20" x .125 x 1"	11561	1,002
H10H		
10" x .110 x 1"	11418	\$438
12" x .110 x UNV	53731	491
12" x .125 x UNV	53735	539
14" x .110 x UNV	53739	618
14" x .125 x UNV	53743	668
14" x .235 x 1"	28280	1,196
16" x .125 x UNV	89971	785
18" x .125 x 1"	14231	873
20" x .125 x 1"	11558	1,002



Dry blades are cooled with air by using intermittent cutting. Dry blades can be used with water.



For use on high speed, masonry and low HP walk behind saws

ULTIMATE HIGH SPEED BLADES



Diamond Depth:
.250" (6mm)
Segment Height:
.350" (9mm)



Diamond Depth:
.295" (7mm)
Segment Height:
.395" (10mm)



Diamond Depth:
.433" (11mm)
Segment Height:
.533" (14mm)

X-Tra Plus Red Ultimate

- Higher quality diamond and long cutting life

Heavy Duty Orange Ultimate

- Very high quality diamond and longer cutting life

Cut-ALL Multi-Purpose Ultimate

- Very high quality diamond and longer cutting life
- Great for the general contractor that requires a faster cut to get the job done quickly

H7XU		
SIZE	CAT #	List Price
12" x .125 x UNV	78765	\$359
14" x .125 x UNV	78766	405
16" x .125 x UNV	78767	501
H8XU		
12" x .125 x UNV	66306	\$359
14" x .125 x UNV	66307	405
16" x .125 x UNV	66308	501
H10XU		
12" x .125 x UNV	78768	\$359
14" x .125 x UNV	78769	405
16" x .125 x UNV	78770	501

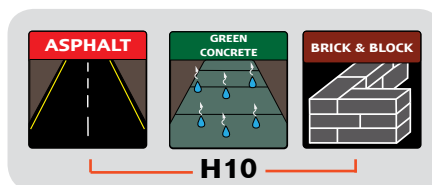
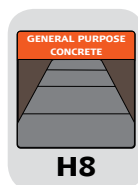
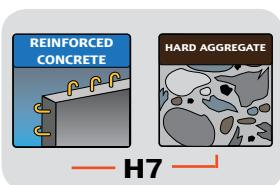
H7HU		
SIZE	CAT #	List Price
12" x .125 x UNV	73928	\$392
14" x .125 x UNV	74413	441
16" x .125 x UNV	73192	536
H8HU		
12" x .125 x UNV	66309	\$392
14" x .125 x UNV	66310	441
16" x .125 x UNV	66311	536
H10HU		
12" x .125 x UNV	68680	\$392
14" x .125 x UNV	70172	441
16" x .125 x UNV	78764	536

H8CAU		
SIZE	CAT #	List Price
12" x .125 x UNV	21922	\$427
14" x .125 x UNV	21927	537
16" x .125 x UNV	21928	590

Specifications:

- H7__ Reinforced concrete-hard materials
- H8__ Concrete
- H10__ Asphalt, green concrete, brick and block
- H8CAU -Multi-Purpose best suited for harder materials

UNV = 1" to 20mm universal knockout arbor
1" arbor blades include a 20mm bushing



For use on high speed, masonry and low HP walk behind saws

HIGH SPEED SPECIALTY BLADES



Diamond Depth: .310" (8mm)
Segment Height: .410" (10mm)

Diamond Depth: .354" (9mm)
Segment Height: .454" (12mm)

Cut-ALL Multi-Purpose Blades

- Great for the general contractor or landscaper whose job is different everyday.
- Split segment removes slurry more efficiently for faster and more economical cutting.

Heavy Duty Cut-ALL Multi-Purpose		
SIZE	H8CA Cat #	List Price
12" x .125 x UNV	84967	\$506
14" x .125 x UNV	84968	594
16" x .125 x UNV	84969	687
18" x .125 x 1"	86709	1,100
20" x .125 x 1"	84970	1,272
20 x .140 x 1"	86633	1,323
Cut-ALL Multi-Purpose 5-Packs		
12" x .125 x UNV	84989	\$2,429
14" x .125 x UNV	84990	2,851

Imperial Purple Cut-ALL Multi-Purpose		
SIZE	H8CA Cat #	List Price
12" x .125 x UNV	15372	\$460
14" x .125 x UNV	15373	534
16" x .125 x UNV	15375	611

The Cut-ALL Split Segment Creates a Larger Weld Surface, Offering Double the Weld Strength Than Conventional Split Segment Blades

UNV = 1" and 20 mm universal arbor. High speed blades have a drive pin hole for use on small low HP walk behind saws

A2Z Vacuum Bonded Blades

- Vacuum bonded technology-diamonds are adhered to the core landing
- Great for rescue and emergency situations
- Cuts a wide range of materials
- Holes in the core landing help with cooling while cutting metal and other heat generating materials

A2Z Vacuum Bonded Blade		
SIZE	T7AZ Cat #	List Price
4" x .080 x 7/8"	44795	\$117
4-1/2" x .080 x 7/8"	21511	125
6" x .090 x 7/8"	13565	152
7" x .095 x 7/8"	21531	200
9" x .125 x 7/8"	18751	213
12" x .125 x 1"	21535	400
14" x .125 x 1"	21571	453
16" x .125 x 1"	21576	596
18" x .145 x 1"	69187	701
20" x .155 x 1"	69190	911

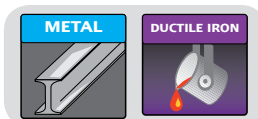
7/8" arbor blades include 5/8" bushing
1" arbor blades include 20mm heavy duty bushing

										H8CA
										H8ICA
										T7AZ

Demo-Cut

- Carbide-tipped for metals, roofing and building materials, wood, tar, fire doors, plastic and rubber. **Not suitable for concrete.**
- Made with .250" thick carbide chunks that allow extremely fast cutting that will not bind or load (an important factor in rescue cutting).

Demo-Cut Rescue Blade		
SIZE	Cat #	List Price
7" x .250 x 5/8"	04613	\$374
12" x .250 x 1"	96301	514
14" x .250 x 1"	96302	677
16" x .250 x 1"	26491	819



***Warning:** When sawing, dust and material particles will be common as this product is very aggressive. Wear protective safety equipment when using and handling this blade. Blade edges are very sharp. Do not exceed saw manufacturer recommended RPM. Periodic inspections are required to insure proper condition. Never use damaged or cracked blades. Please consult warning sheet provided with blade.



HIGH SPEED TURBO BLADES



Diamond Depth: .400" (10mm)
Segment Height: .500" (13mm)

Diamond Depth: .370" (9mm)
Segment Height: .470" (12mm)

Diamond Depth: .187" (5mm)
Segment Height: .287" (7mm)

Diamond Depth: .354" (9mm)
Segment Height: .454" (12mm)

Delux-Cut				
Basic quality diamond and economical cutting value				
SIZE	T7D Cat #	T7D List Price	T7D 5-pack Cat #	T7D 5-pack List Price
4" x .080 x 7/8"	21124	\$14	21242	\$67
4-1/2" x .080 x 7/8"	21134	16	21288	77
5" x .080 x 7/8"	21139	24	21289	115
6" x .080 x 7/8"	21141	32	21308	154
7" x .095 x 7/8"	21163	38	21318	182
8" x .095 x 7/8"	21183	44	---	---
9" x .095 x 7/8"	21203	61	---	---
10" x .110 x 1"	21204	81	---	---
12" x .125 x 1"	21205	115	21220	552
14" x .125 x 1"	21212	146	21229	701

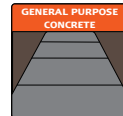
Star Blue				
Good quality diamond and good cutting value				
SIZE	T7B Cat #	List Price	T7B 5-pack Cat #	T7B 5-pack List Price
4" x .080 x 7/8"	74959	\$20	76589	\$96
4-1/2" x .080 x 7/8"	74960	22	76590	106
5" x .080 x 7/8"	80002	35	---	---
6" x .080 x 7/8"	80003	40	---	---
7" x .095 x 7/8"	74961	47	76591	226
8" x .095 x 7/8"	80004	58	---	---
9" x .095 x 7/8"	80005	77	---	---
10" x .110 x 1"	80006	105	---	---
12" x .125 x 1"	74962	150	84981	720
14" x .125 x 1"	74964	187	84983	898

Standard Gold		
Better quality diamond and better cutting value		
SIZE	T7S Cat #	List Price
4" x .080 x 7/8"	12480	\$45
4-1/2" x .080 x 7/8"	12483	55
5" x .080 x 7/8"	12486	74
6" x .080 x 7/8"	12487	85
7" x .095 x 7/8"	12489	92
8" x .095 x 7/8"	12493	109
9" x .095 x 7/8"	12494	184
10" x .110 x 1"	12495	243
12" x .125 x UNV	58454	277
14" x .125 x UNV	58455	314
16" x .125 x 1"	14527	354
20" x .140 x 1"	15584	562
Standard Gold 5-Packs		
4" x .080 x 7/8"	55237	\$216
4-1/2" x .080 x 7/8"	55238	264
7" x .095 x 7/8"	55239	442

Imperial Purple				
Better quality diamond and very good cutting life				
SIZE	T7I Cat #	T7I List Price	T7I 5-Pack Cat #	T7I 5-Pack List Price
12" x .125 x 1"	79952	\$310	84987	\$1,488
14" X .125 X 1"	79953	432	84988	2,074

• T7I blades have a built-in wear protection to extend the life of the blade

Turbo blades offer a faster cut than segmented blades due to the serrated segment design, allowing less surface-to-surface contact.



For use on electric circular saws, high speed saws masonry saws and right angle grinders.

UNV = 1" and 20 mm universal knockout arbor
4" through 10" blades include 5/8" bushing
◆ = diamond shaped arbor

High Speed Turbo Blades

HIGH SPEED TURBO BLADES



Diamond Depth:
.220" (6mm)
Segment Height:
.320" (8mm)

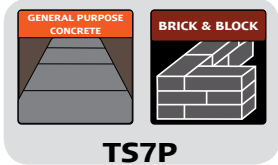
Heavy Duty Orange Turbo Very high quality diamond and longer cutting life		
SIZE	T7H Cat #	List Price
4" x .080 x 7/8"	12281	\$112
4-1/2" x .080 x 7/8"	12286	145
5" x .080 x 7/8"	12290	177
6" x .080 x 7/8"	12292	198
7" x .095 x 7/8"	12298	224
8" x .095 x 7/8"	12309	260
9" x .095 x 7/8"	12312	315
10" x .110 x 1"	12315	372
12" x .125 x UNV	53862	418
14" x .125 x UNV	53863	492
16" x .125 x 1"	12336	614
16" x .125 x 20mm	28824	614
20" x .140 x 1"	12338	872
Heavy Duty Orange 5-Packs		
4" x .080 x 7/8"	55240	\$538
4-1/2" x .080 x 7/8"	55241	696
7" x .095 x 7/8"	55242	1,075

UNV = 1" and 20 mm universal knockout arbor
1" arbor blades include 20mm bushing
4" through 10" blades include 5/8" bushing

Graviton™ Turbo Blades Good Cutting Life		
SIZE	T7GR Cat #	List Price
4" x .085 x 7/8"	57328	\$36
4-1/2" x .085 x 7/8"	57379	40
7" x .085 x 7/8"	57332	80

Graviton™ Plus Turbo Blades Longer Cutting Life		
SIZE	T7GR+ Cat #	List Price
4" x .095 x 7/8"	57335	\$46
4-1/2" x .100 x 7/8"	57347	55
7" x .110 x 7/8"	57351	109

Premium T-Seg Turbo Blades General purpose cutting in concrete and masonry Special T-Segment offers built-in core protection		
SIZE	TS7P Cat #	List Price
4" x .070 x 7/8"	73958	\$60
4-1/2" x .070 x 7/8"	73959	64
5" x .075 x 7/8"	73960	70
6" x .080 x 7/8"	73961	94
7" x .090 x 7/8"	73962	107
8" x .095 x 7/8"	73964	126
9" x .095 x 7/8"	73965	155
10" x .095 x 7/8"	73966	177
12" x .125 x 1"	74610	317
14" x .125 x 1"	74612	414

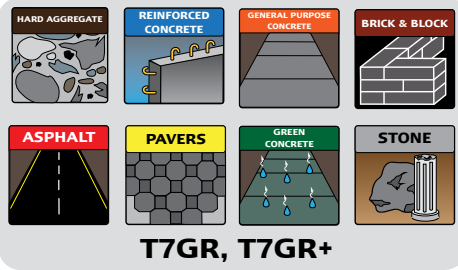


Blades 7" and above come with a 7/8" bushing (removable) in a diamond arbor



Turbo blades are cooled with air by using intermittent cutting.
Turbo blades can be used with water.

Graviton™ Turbo
Wavy core enhances cutting speed
Continuous rim turbo style for a smooth cut



High Speed Turbo Blades

SPECIALTY TURBO BLADES



Diamond Depth:
.275" (7mm)

Diamond Depth:
.433" (11mm)

Diamond Depth:
.354" (9mm)

Diamond Depth:
.433" (11mm)

X-Turbo Blade

- Unique turbo core with enhanced air holes to keep the blade cool at high speeds
- General purpose, super fast cutting in multiple applications
- Includes a full radius drop segment for enhanced blade life.

XXXL-Turbo Blade

- Three different segments for longer life, faster cutting and reliable performance
- General purpose, super fast cutting
- Serrated turbo segment for the fastest cut
- Extended blade life with slant segment wear protection and tall segments

G.O. Grain Organized

- Standard straight segment and a turbo slant segment for fast cutting while protecting the core

X-Turbo Blades		
SIZE	T7X Cat #	List Price
12" x .125 x 1"	63754	\$158
14" x .125 x 1"	63760	218
14" x .125 x 20mm	70864	218
16" x .125 x 1"	63763	287
20" x .125 x 1"	63764	457

Triple-XL Turbo Blades		
SIZE	T7XL3 Cat #	List Price
12" x .125 x 1"	42890	\$364
14" x .125 x 1"	42891	423
16" x .125 x 1"	42892	501
18" x .125 x 1"	60247	672
20" x .125 x 1"	42893	721
24" x .140 x 1"	63105	992

G.O. Grain Organized High Speed Turbo Blades		
Size	Cat #	List Price
12" x .125 x 1	81528	\$479
14" x .125 x 1	81321	536
16" x .125 x 1	81530	694

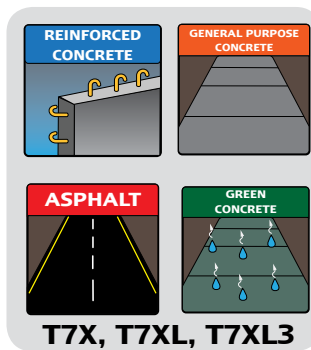
Includes 20mm bushing

XL-Turbo Blade

- Unique turbo core with even more air holes to keep the blade cool at higher speeds
- General purpose, super fast cutting
- **Better** quality and blade cutting life

XL-Turbo Blades		
SIZE	T7XL Cat #	List Price
12" x .125 x 1"	19311	\$328
14" x .125 x 1"	19312	391
16" x .125 x 1"	20161	457
20" x .125 x 1"	20183	627

All X-Line blade Include 20mm bushing



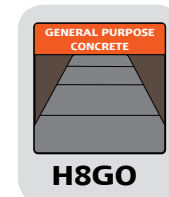
Blades 12" & 14" used on high speed, masonry, circular, tile and block saws

GRAIN ORGANIZED

G.O. LONGER Slant segment extends cutting life

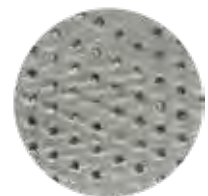
G.O. FASTER Turbo segment maximizes cutting performance

G.O. GRAIN ORGANIZED Organized diamonds in the segments provide a constant cutting edge



SPECIFICATION

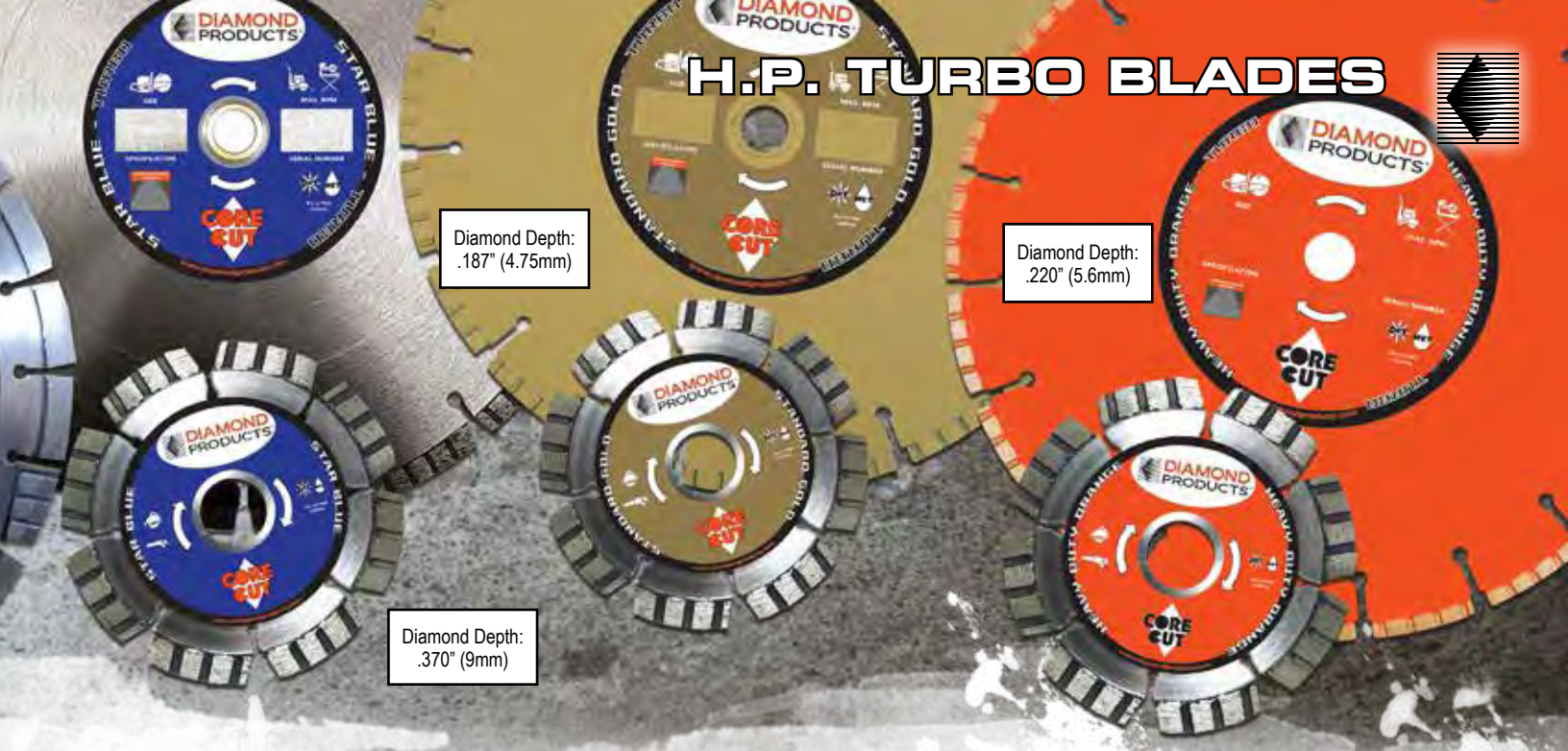
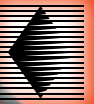
H8GO - Long life, fast cutting in general purpose concrete



Close-Up of Organized Diamonds in the Segment

Specialty Turbo Blades

H.P. TURBO BLADES



Diamond Depth:
.187" (4.75mm)

Diamond Depth:
.220" (5.6mm)

Diamond Depth:
.370" (9mm)

Star Blue H.P. Turbo

- Good quality diamond and good cutting value
- Very fast cutting
- Basic blade life

Standard Gold H.P. Turbo

- Better quality diamond and better cutting value
- Very fast cutting
- Better blade life

Heavy Duty Orange H.P. Turbo

- Very high quality for very fast cutting in general purpose hard materials, pavers, hard brick/block and stone
- Longer blade life

Star Blue H.P. Turbo		
SIZE	HPT7B Cat #	List Price
4" x .080 x 7/8"	87986	\$49
4-1/2" x .080 x 7/8"	88004	74
7" x .095 x ♦ 7/8"	88020	122
12" x .125 x 1"	88053	254
14" x .125 x 1"	88056	281
20" x .140 x 1"	88060	572

♦ = diamond shaped arbor

- Segmented core with serrated turbo-style diamond segments allow a faster cut due to less surface-to-surface contact
- Faster cutting than traditional continuous rim turbo blades
- Dry blades that can also be used with water for cooling

UNV = 1" and 20 mm universal knockout arbor
1" arbor blades come with 20mm bushing

Standard Gold H.P. Turbo		
SIZE	HPT7S Cat #	List Price
4" x .080 x 7/8"	11703	\$106
4-1/2" x .080 x 7/8"	11704	114
5" x .080 x 7/8"	28247	149
6" x .080 x 7/8"	19906	155
7" x .095 x 7/8"	11705	189
8" x .095 x 7/8"	11707	208
9" x .095 x 7/8"	22322	256
10" x .110 x 1"	11708	282
12" x .125 x UNV	58452	325
14" x .125 x UNV	58453	364
16" x .125 x 1"	28654	447
18" x .125 x 1"	14072	514
20" x .140 x 1"	11715	630
24" x .125 x 1"	09723	1,051
24" x .140 x 1"	34336	1,079
Standard Gold 5-Packs		
4" x .080 x 7/8"	57939	\$509
4-1/2" x .080 x 7/8"	57941	547
7" x .095 x 7/8"	57943	907

Heavy Duty Orange H.P. Turbo			
SIZE	HPT5H Cat #	HPT7H Cat #	List Price
4" x .080 x 7/8"	23909	11637	\$103
4-1/2" x .080 x 7/8"	25669	11639	124
5" x .080 x 7/8"	42803	11641	166
6" x .080 x 7/8"	94460	11642	181
7" x .095 x 7/8"	35586	11643	200
8" x .095 x 7/8"	16777	11645	250
9" x .095 x 7/8"	16776	11646	289
10" x .110 x 1"	26574	11648	326
12" x .125 x UNV	59995	58210	387
14" x .125 x UNV	59890	58451	437
16" x .125 x UNV	29711	33372	531
18" x .125 x 1"	71056	11677	610
20" x .125 x 1"	56521	37682	676
20" x .140 x 1"	24198	11678	758
24" x .140 x 1"	27664	76645	1,083
Heavy Duty Orange H.P. 5-Packs			
4" x .080 x 7/8"	---	57940	\$494
4-1/2" x .080 x 7/8"	---	57942	595
7" x .095 x 7/8"	---	57944	960



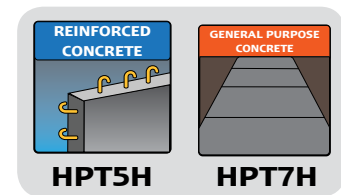
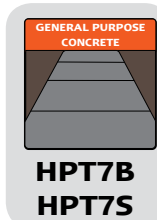
Blades 4" to 10"
used on circular saws



Blades 4", 4-1/2"
& 7" used on right
angle grinders



Blades 12" & 14" used on high
speed and masonry saws



SMALL DIAMETER BLADES



Diamond Depth: .315" (8mm)
Segment Height: .394" (10mm)

Diamond Depth: .187" (5mm)
Segment Height: .287" (7mm)

Diamond Depth: .315" (8mm)
Segment Height: .433" (11mm)

Fiber Cement Board Specialty Blade



Delux-Cut		
Basic quality diamond and economical cutting value		
SIZE	E2D Cat #	List Price
4" x .080 x 7/8"	20966	\$14
4-1/2" x .080 x 7/8"	21002	16
5" x .080 x 7/8"	22729	23
6" x .080 x 7/8"	22783	31
7" x .080 x 7/8"	22785	35
8" x .080 x 7/8"	22802	39
9" x .080 x 7/8"	22820	44
Delux-Cut 10-Packs		
4" x .080 x 7/8"	21003	\$134
4-1/2" x .080 x 7/8"	21016	154

Star Blue		
Good quality diamond and good cutting value		
SIZE	E2B Cat #	List Price
4" x .070 x 7/8"	74950	\$18
4-1/2" x .070 x 7/8"	74951	21
5" x .080 x 7/8"	70461	32
6" x .080 x 7/8"	70470	39
7" x .080 x 7/8"	74952	43
8" x .080 x 7/8"	74953	49
9" x .080 x 7/8"	70494	57
Star Blue 10-Packs		
4" x .070 x 7/8"	42196	\$173
4-1/2" x .070 x 7/8"	42201	202

Standard Gold			
Better quality diamond and better cutting value			
SIZE	E2S Cat #	E5S Cat #	List Price
4" x .070 x 7/8"	11344	11346	\$49
4-1/2" x .070 x 7/8"	11347	11349	58
5" x .080 x 7/8"	11350	11351	65
6" x .080 x 7/8"	11352	16866	84
7" x .080 x 7/8"	11355	11357	86
8" x .080 x 7/8"	11359	11360	98
9" x .095 x 7/8"	95049	95050	116
Standard Gold 5-Packs			
4" x .070 x 7/8"	57953	55256	\$235
4-1/2" x .070 x 7/8"	57954	55258	278
7" x .080 x 7/8"	57955	55260	413

Fiber Cement Board Blade		
SIZE	Cat #	List Price
7-1/4" x 085 x 7/8"	71787	\$129

- Designed for stacked sheet cutting of fiber cement board
- Four segments made with polycrystalline synthetic diamonds
- Outlasts several carbide-tipped blades

GENERAL PURPOSE CONCRETE

E2D
E2B
E2S
E2X
E2H
E2P

ASPHALT

E2D
E2B
E2S
E2X
E2H
E2P



For use on electric circular saws and side grinders

SMALL DIAMETER BLADES



Diamond Depth:
.220" (6mm)
Segment Height:
.315" (8mm)

Diamond Depth:
.315" (8mm)
Segment Height:
.433" (11mm)

Diamond Depth:
.220" (6mm)
Segment Height:
.315" (8mm)

X-Tra Plus Red Higher quality diamond and long cutting life			
SIZE	E2X Cat #	E5X Cat #	List Price
4" x .070 x 7/8"	11366	11368	\$71
4-1/2" x .070 x 7/8"	11370	11373	92
5" x .080 x 7/8"	11374	11375	94
6" x .080 x 7/8"	11378	11379	121
7" x .080 x 7/8"	11380	11381	125
8" x .080 x 7/8"	11383	11386	148
9" x .080 x 7/8"	11387	11388	194
X-tra Plus Red 5-Packs			
4" x .070 x 7/8"	55261	55262	\$341
4-1/2" x .070 x 7/8"	55263	55264	442
7" x .080 x 7/8"	55265	55266	600

Heavy Duty Orange Very high quality diamond and longer cutting life			
SIZE	E2H Cat #	E5H Cat #	List Price
4" x .070 x 7/8"	11242	11244	\$94
4-1/2" x .070 x 7/8"	11249	11253	115
5" x .080 x 7/8"	11257	11259	117
6" x .080 x 7/8"	11263	11264	144
7" x .080 x 7/8"	11268	11274	151
8" x .080 x 7/8"	11290	11293	172
9" x .080 x 7/8"	11297	11302	256
Heavy Duty Orange 5-Packs			
4" x .070 x 7/8"	55267	55268	\$451
4-1/2" x .070 x 7/8"	55270	55271	552
7" x .080 x 7/8"	55272	55273	725



FLUSH CUT HUB ADAPTER for SMALL DIAMETER BLADES

Use Drawing # 52162 when ordering blades for flush cut hub adapter.

Used for cutting flush with a small diameter blade on a side grinder

- The Flush Cut Hub fits any standard 5/8"-11 spindle

Blades must be ordered special with flush cut 4-bolt pattern in order to work with the hub adapter.

Part # 4400600, Cat # 53323 -List Price: \$71
4-bolt pattern with 5/8"-11 thread

Premium Black Small Diameter Highest quality diamond and longest cutting life			
SIZE	E2P Cat #	E5P Cat #	List Price
4" x .070 x 7/8"	11304	11305	\$113
4-1/2" x .070 x 7/8"	11307	11308	132
5" x .080 x 7/8"	11310	11311	136
6" x .080 x 7/8"	11315	11316	189
7" x .080 x 7/8"	11319	11322	201
8" x .080 x 7/8"	11338	11339	238
9" x .080 x 7/8"	11340	11342	311
Premium Black 5-Packs			
4" x .070 x 7/8"	55274	55275	\$542
4-1/2" x .070 x 7/8"	55276	55277	634
7" x .080 x 7/8"	55278	55279	965

MASONRY BLADES



Diamond Depth:
.440" (11mm)
Segment Height:
.540" (14mm)

Diamond Depth:
.375" (10mm)
Segment Height:
.475" (12mm)

Diamond Depth:
.250" (6mm)
Segment Height:
.350" (9mm)

Delux-Cut Masonry		
Basic quality diamond and economical cutting value		
SIZE	DM85D Cat #	List Price
12" x .110 x 1"	20887	\$93
14" x .125 x 1"	20888	98
18" x .125 x 1"	20908	292
20" x .125 x 1"	20924	375

Star Blue Masonry		
Good quality diamond and good cutting value		
SIZE	DM85B Cat #	List Price
12" x .110 x 1"	70504	\$107
14" x .125 x 1"	70520	113
18" x .125 x 1"	20649	330
20" x .125 x 1"	20651	440



For use on masonry
and block saws

Masonry Blade Specifications:

- DM80**-Hard materials, hard brick-fast cutting
- DM85**-General purpose, combo brick/block
- DM86**-Combo brick/block
- DM87**-Abrasive brick/block

***Not recommended for cutting reinforced concrete**

1" arbor blades come with 20mm bushing

Standard Gold Masonry					
Better quality diamond and better cutting value					
SIZE	DM80S Cat #	DM85S Cat #	DM86S Cat #	DM87S Cat #	List Price
10" x .110 x 1"	11947	11948	11949	11950	\$340
12" x .110 x 1"	11952	11954	11955	11956	396
14" x .110 x 1"	11959	11961	11964	11965	448
14" x .125 x 1"	22087	18360	36413	30441	496
16" x .125 x 1"	76800	74823	76801	11968	572
18" x .125 x 1"	28288	11973	11974	20122	687
20" x .125 x 1"	11976	11977	11978	11979	769
24" x .140 x 1"	40793	40794	40795	40796	971

MASONRY BLADES



Diamond Depth:
.295" (7mm)
Segment Height:
.395" (10mm)



Diamond Depth:
.250" (6mm)
Segment Height:
.350" (9mm)

Heavy Duty Orange Masonry

Very high quality diamond and longer cutting life

SIZE	DM80H Cat #	DM85H Cat #	DM86H Cat #	DM87H Cat #	List Price
10" x .110 x 1"	11817	11819	11820	11821	\$392
12" x .110 x 1"	11825	11827	11828	11829	475
14" x .110 x 1"	11847	11850	11853	11855	550
14" x .125 x 1"	11859	11861	11862	11864	610
16" x .125 x 1"	21697	11876	21421	46214	666
18" x .125 x 1"	11879	11881	11883	11884	762
20" x .125 x 1"	11893	11895	11897	11898	874
24" x .140 x 1"	40797	40798	40799	40800	1,107

Premium Black Masonry

Highest quality diamond and longest cutting life

SIZE	DM80P Cat #	DM85P Cat #	DM86P Cat #	DM87P Cat #	List Price
10" x .110 x 1"	11904	11905	11906	11907	\$446
12" x .110 x 1"	11908	11909	11910	11911	509
14" x .110 x 1"	11917	11920	11921	11922	641
14" x .125 x 1"	22109	14644	11925	21993	712
16" x .125 x 1"	11930	11931	38115	53034	878
18" x .125 x 1"	18611	11935	11936	11937	888
20" x .125 x 1"	11940	11942	11943	11944	1,095
24" x .140 x 1"	40801	40802	40803	51752	1,245

Heavy Duty Orange Silent Core Masonry

SIZE	DM80HSC Cat #	DM85HSC Cat #	DM86HSC Cat #	DM87HSC Cat #	List Price
14" x .125 x 1"	66587	66644	66648	66652	\$713
18" x .125 x 1"	66637	66645	32040	66653	1,149
20" x .140 x 1"	66638	66646	66650	66654	1,308
24" x .140 x 1"	66669	66647	66651	66655	1,581

Premium Black Silent Core Masonry

SIZE	DM80PSC Cat #	DM85PSC Cat #	DM86PSC Cat #	DM87PSC Cat #	List Price
14" x .125 x 1"	66640	66656	66660	66664	\$851
18" x .125 x 1"	66641	66657	66661	66665	1,157
20" x .140 x 1"	66642	10099	66662	66666	1,345
24" x .140 x 1"	66643	66659	66663	66667	1,646



For use on masonry
and block saws

Masonry Blade Specifications:

- DM80-Hard materials, hard brick-fast cutting
- DM85-General purpose, combo brick/block
- DM86-Combo brick/block
- DM87-Abrasive brick/block

***Not recommended for cutting reinforced concrete**

Silent Core Masonry Blade
Laser cut harmonic dampeners
reduce vibration. Noise is reduced
by -10dB

Special laser anchor slots near the
segments provide for increased
noise reduction and helps
in the prevention of core
cracking



TUCK POINT BLADES



Diamond Depth: .250" (6mm)
Segment Height: .350" (9mm)

Diamond Depth: .250" (6mm)
Segment Height: .350" (9mm)

Diamond Depth: .187" (5mm)
Segment Height: .287" (7mm)

Diamond Depth: .250" (6mm)
Segment Height: .350" (9mm)

Diamond Depth: .220" (6mm)
Segment Height: .320" (8mm)

Delux-Cut Tuck Point Blades		
Basic quality diamond and economical cutting value		
SIZE	DT9D Cat #	List Price
4" x .250 x 7/8"	21065	\$53
4-1/2" x .250 x 7/8"	21072	59
7" x .250 x 7/8"	21074	137
Delux-Cut 5-Packs		
4" x .250 x 7/8"	21090	\$254
4-1/2" x .250 x 7/8"	21096	283
7" x .250 x 7/8"	21108	658

Star Blue Tuck Point Blades		
Good quality diamond and good cutting value		
SIZE	DT9B Cat #	List Price
4" x .250 x 7/8"	74966	\$69
4-1/2" x .250 x 7/8"	74967	73
5" x .250 x 7/8"	51438	91
7" x .250 x 7/8"	74968	176
Star Blue 5-Packs		
4" x .250 x 7/8"	76592	\$331
4-1/2" x .250 x 7/8"	76593	350
7" x .250 x 7/8"	76594	845

Standard Gold Tuck Point Blades		
Better quality diamond and better cutting value		
SIZE	DT9S Cat #	List Price
4" x .250 x 7/8"	12462	\$184
4-1/2" x .250 x 7/8"	12466	197
5" x .250 x 7/8"	12470	206
7" x .250 x 7/8"	12475	293
8" x .250 x 7/8"	12476	438
Standard Gold 5-Packs		
4" x .250 x 7/8"	55225	\$883
4-1/2" x .250 x 7/8"	55226	946
7" x .250 x 7/8"	55227	1,406

Utility Green Tuck Point Blades		
Very good quality diamond and good cutting value		
• 2-in-1 for faster cutting		
• 3-in-1 for faster cutting and wider cut		
SIZE	DT9G Cat #	List Price
4" x .250 x 7/8"	94186	\$90
4-1/2" x .250 x 7/8"	94187	116
5" x .250 x 7/8"	96364	155
7" x .250 x 7/8"	25953	199
Utility Green 2-in-1		
4" x .250 x 7/8"	31807	\$96
4-1/2" x .250 x 7/8"	20207	112
Utility Green 3-in-1		
4" x .375 x 7/8"	94183	\$198
4-1/2" x .375 x 7/8"	94184	206
5" x .375 x 7/8"	94185	212

Star Blue Multi-Tuck Point Blades		
Good quality diamond and good cutting value		
• 2-in-1 for faster cutting		
• 3-in-1 for faster cutting and wider cut		
SIZE	DT9B Cat #	List Price
Star Blue 2-in-1 Tuck Point Blades		
4" x .250 x 7/8"	20790	\$87
4-1/2" x .250 x 7/8"	22691	89
5" x .250 x 7/8"	07916	103
7" x .250 x 7/8"	51191	144
Star Blue 3-in-1 Tuck Point Blades		
4" x .375 x 7/8"	79892	\$141
4-1/2" x .375 x 7/8"	79893	150

Heavy Duty Orange Tuck Point Blades		
Very high quality diamond and longer cutting life		
SIZE	DT9H Cat #	List Price
4" x .250 x 7/8"	12418	\$232
4-1/2" x .250 x 7/8"	12429	239
5" x .250 x 7/8"	12437	268
7" x .250 x 7/8"	12446	348
8" x .250 x 7/8"	12454	515
Heavy Duty Orange 5-Packs		
4" x .250 x 7/8"	55228	\$1,114
4-1/2" x .250 x 7/8"	55229	1,147
7" x .250 x 7/8"	55230	1,670



For use on electric circular saws and side grinders

Tuck Point Blades

TUCK POINT & V-CRACK BLADES



Delux-Cut V-Crack

Heavy Duty Orange Tuck Point Pins

Star Blue V-Crack

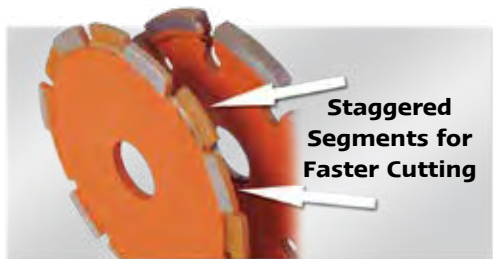
Delux-Cut V-Crack Turbo

Heavy Duty Orange V-Crack

V-Crack Blades:

- Cleans, routs and repairs cracks in concrete and other materials
- Fast cutting while leaving a clean groove
- Segment design provides longer life
- Segment width .310 at the widest point

Heavy Duty Orange High Performance Tuck Point Blades		
SIZE	HPDT9H Cat #	List Price
4" x .250 x 7/8"	11697	\$314
4-1/2" x .250 x 7/8"	11698	347
5" x .250 x 7/8"	11700	358
7" x .250 x 7/8"	11702	551
8" x .250 x 7/8"	16638	594
Heavy Duty Orange 5-Packs		
4" x .250 x 7/8"	55280	\$1,507
4-1/2" x .250 x 7/8"	55360	1,666
7" x .250 x 7/8"	55361	2,645
Tuck Point blades can be fitted with a diamond shaped arbor. Extra charge for diamond arbors (tuck point blades) \$15.00		



Staggered Segments for Faster Cutting

Heavy Duty Orange High Performance

- Very high quality diamond and longer cutting life
- Super-fast cutting due to less surface to surface contact
- For use on circular saws and right angle grinders

Delux-Cut V-Crack Blades		
Basic quality diamond and economical cutting value		
SIZE	V2D Cat #	List Price
4"	21118	\$221
7"	21122	410
Delux-Cut V-Crack Turbo Blade		
Basic quality diamond and faster cutting		
4"	12636	\$219

Star Blue V-Crack Blades		
Good quality diamond and good cutting value		
SIZE	V2B Cat #	List Price
4"	02739	\$244
7"	02746	431

Heavy Duty Orange V-Crack Blades		
Very high quality diamond and longer cutting life		
SIZE	V2H Cat #	List Price
4"	27542	\$344
7"	26719	542
7" diamond arbor	97808	640
7" x 7/8" round arbor	52501	553
Heavy Duty Orange 5-Packs		
4"	55223	\$1,651
7"	55224	2,602

Heavy Duty Orange Vertical Tuck Point Pins		
SIZE	VT2H Cat #	List Price
1/4" Diameter with 5/16" Shaft	12524	\$170
3/8" Diameter with 5/16" Shaft	12529	174
1/4" Diameter with 1/4" Shaft	93788	170
3/8" Diameter with 1/4" Shaft	93789	174



For mortar joints
Note: 5/8"-11 hub unless otherwise noted



For use on right angle grinders

Vertical Tuck Point Pins

- Great for cleaning out mortar from hard to reach joints and butt (vertical) joints
- Grinds out butt joints in seconds without damaging existing blocks
- For use on basic router machines

Your choice of 5/16" or 1/4" shafts.



CUP GRINDERS



Single Row-S5D
 • General grinding and removal

Single Row-S5B
 • General grinding and removal

Single Row-S5G
 • General grinding and removal

Double Row-D5D
 • General grinding and removal with a smooth finish

Double Row-D5B
 • General grinding and removal with a smooth finish

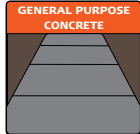
Double Row-D5G
 • General grinding and removal with a smooth finish

Delux-Cut Segmented Cup Grinders			
Basic quality diamond and economical grinding value			
SIZE/DESCRIPTION	SPEC	Cat #	List Price
4" x 5/8-11 Single Row	S5D	22405	\$53
4-1/2" x 5/8-11 Single Row	S5D	22406	61
5" x 5/8-11 Single Row	S5D	42539	69
7" x 5/8-11 Single Row	S5D	22408	103
7" x 7/8" Single Row	S5D	38970	103
4" x 5/8-11 Double Row	D5D	22410	98
4-1/2" x 5/8-11 Double Row	D5D	22415	103
5" x 5/8-11 Double Row	D5D	42541	121
7" x 5/8-11 Double Row	D5D	22418	149
7" x 7/8" Double Row	D5D	38971	149

Star Blue Segmented Cup Grinders			
Good quality diamond and good grinding value			
SIZE/DESCRIPTION	SPEC	Cat #	List Price
4" x 5/8-11 Single Row	S5B	77383	\$62
4" x 7/8" Single Row	S5B	63111	62
4-1/2" x 5/8-11 Single Row	S5B	77502	74
4-1/2" x 7/8" Single Row	S5B	63114	74
7" x 5/8-11 Single Row	S5B	77542	115
7" x 7/8" Single Row	S5B	63116	115
4" x 5/8-11 Double Row	D5B	70360	104
4" x 7/8" Double Row	D5B	63117	104
4-1/2" x 5/8-11 Double Row	D5B	70387	115
4-1/2" x 7/8" Double Row	D5B	63119	115
7" x 5/8-11 Double Row	D5B	70391	152
7" x 7/8" Double Row	D5B	63120	152



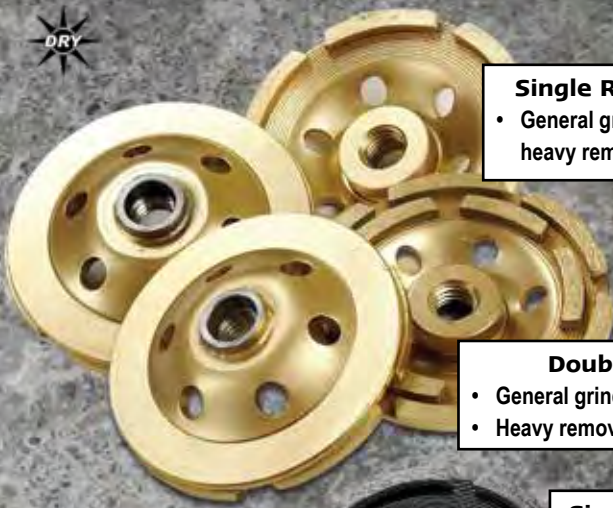
For use on right angle grinders



Utility Green Segmented Cup Grinders			
Very good quality diamond and very good grinding value			
SIZE/DESCRIPTION	SPEC	Cat #	List Price
4" x 5/8-11 Single Row	S5G	94177	\$89
7" x 5/8-11 Single Row	S5G	94178	168
4" x 5/8-11 Double Row	D5G	94175	142
4" x 7/8" Double Row	D5G	06617	142
7" x 5/8-11 Double Row	D5G	94176	232



CUP GRINDERS



Single Row-S5S

- General grinding & heavy removal



Standard Gold Turbo Low Profile: S33S2530

- Grinding Medium to Hard Concrete
- High quality diamond and better grinding value

Double Row-D5S

- General grinding with smooth finish
- Heavy removal



Single Row-S5H

- General grinding
- Heavier removal



Double Row-D5H

- General grinding with smooth finish
- Heavier removal

Heavy Duty Orange Turbo Low Profile: S33H2530

Grinding Medium to Hard Concrete
Very high quality diamond and longer grinding life

Standard Gold Segmented Cup Grinders				
Better quality diamond and better grinding value				
SIZE/DESCRIPTION	SPEC	Cat # (5/8"-11 hub)	Cat # (7/8" hub)	List Price
4" Single Row	S5S	07442	07446	\$115
5" Single Row	S5S	28508	07447	168
7" Single Row	S5S	07450	07451	200
4" Double Row	D5S	07429	07430	189
5" Double Row	D5S	07431	07432	231
7" x 5/8-11 Double Row	D5S	07434	07436	259

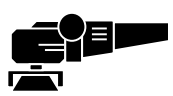
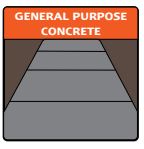
Standard Gold Low Profile Cups				
Size	Segment Type	Number of Segments	Cat #	List Price
5" x 5/8"-11	Single Row	7	84635	\$218
5" x 7/8"	Single Row	7	48352	218
5" x 5/8"-11	Spiral Turbo	12	48359	267
5" x 7/8"	Spiral Turbo	12	48389	267

Lower profile cups will fit on Bosch® grinders- A More Shallow Cup Than The Basic Cup Grinders

Single Row = Basic grinding and removal --
Spiral Turbo = Fast, heavy grinding and removal

Heavy Duty Orange Segmented Cup Grinders				
Very high quality diamond and longer life				
SIZE/DESCRIPTION	SPEC	Cat # (5/8"-11 hub)	Cat # (7/8" hub)	List Price
4" Single Row	S5H	00015	07403	\$172
5" Single Row	S5H	07404	21112	219
7" Single Row	S5H	00017	07412	310
4" Double Row	D5H	00016	07369	259
5" Double Row	D5H	07370	07372	315
7" Double Row	D5H	00018	07383	424

Heavy Duty Orange Low Profile Cups				
Size	Segment Type	Number of Segments	Cat #	List Price
5" x 5/8"-11	Single Row	7	84678	\$255
5" x 7/8"	Single Row	7	84692	255
5" x 5/8"-11	Spiral Turbo	12	84649	297
5" x 7/8"	Spiral Turbo	12	84677	297



For use on right angle grinders

Standard Gold and Heavy Duty Orange also available with special tall hubs



5/8"-11 Threaded Hub Version



7/8" Arbor Version



CUP GRINDERS



Delux Cut Spiral Turbo



Star Blue Spiral Turbo



Utility Green Spiral Turbo



Imperial Purple Spiral Turbo

Delux-Cut

- Spiral turbo for a fast grind

Delux-Cut Spiral Turbo Cup Grinders General grinding and removal with Basic life		
SIZE	T5D Cat#	List Price
4" x 5/8-11 (10 seg)	22419	\$56
4-1/2" x 5/8-11(12 seg)	22435	63
5" x 5/8-11 (9 seg)	42544	68
5" x 7/8 (9 seg)	55613	68
7" x 5/8-11" (12 seg)	22474	100
7" x 7/8" (12 seg)	52140	100
7" x 5/8-11 (24 seg)	22453	144

Utility Green

- Spiral turbo for a fast grind

Utility Green Spiral Turbo Cup Grinders General grinding and removal with Good life			
SIZE	T5G Cat # (5/8"-11 hub)	T5G Cat # (7/8" hub)	List Price
4" (9 seg)	94133	94134	\$93
4" (18 seg)	94127	94128	133
4-1/2" (9 seg)	94131	94132	103
4-1/2" (18 seg)	94129	94130	144
5" (14 seg)	09793	96471	149
7" (12 seg)	94135	94136	164
7" (24 seg)	94137	94138	241

Star Blue

- Spiral turbo for a fast grind

Star Blue Spiral Turbo Cup Grinders General grinding and removal with Good life		
SIZE	T5B Cat #	List Price
4" x 5/8-11 (10 seg)	00036	\$70
4" x 7/8 (10 seg)	63135	70
4-1/2" x 5/8-11(12 seg)	90079	89
4-1/2" x 7/8 (12 seg)	63136	89
5" x 5/8-11 (12 seg)	60853	119
5" x 7/8 (12 seg)	63140	119
7" x 5/8-11 (12 seg)	90193	133
7" x 7/8 (12 seg)	63137	133
7" x 5/8-11 (24 seg)	90359	147
7" x 7/8 (24 seg)	63139	147

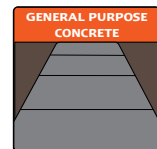
Imperial Purple

- Spiral turbo for a faster grind

Imperial Purple Spiral Turbo Cup Grinders Fast grinding and removal with Very Good Life		
SIZE	T5I CAT #	List Price
4" x 5/8-11 (12 seg)	16074	\$135
5" x 5/8-11 (16 seg)	60151	197
7" x 5/8-11 (18 seg)	16076	259



For use on right angle grinders



CUP GRINDERS



Standard Gold Spiral Turbo



Heavy Duty Orange Spiral Turbo



PCD Cup



Heavy Duty Dry Ring

Standard Gold

- General grinding and medium removal with better life
- Spiral turbo for fast, aggressive grinding

Standard Gold Spiral Turbo Cup Grinders

SIZE	T5S Cat # (with 5/8"-11 hub)	T5S Cat # (with 7/8" hub)	List Price
4" (9 seg)	17846	23177	\$148
5" (12 seg)	19678	76901	196
7" (12 seg)	16410	17834	213
7" (24 seg)	15263	18641	317

Standard Gold and Heavy Duty Orange also available with special tall hubs

PCD Cup Grinders

- Polycrystalline Diamond allows aggressive removal of glue/epoxy and grout

PCD Cup Grinders

SIZE	CAT #	Application	List Price
4-1/2" x 5/8-11	14986	General Purpose epoxy removal	\$335
7" x 5/8-11	21715	General Purpose epoxy removal	419

EPOXY & GLUE



Heavy Duty Orange

- General grinding and heavy removal
- Spiral turbo for fast, aggressive grinding
- Very high quality diamond and longer grinding life

Heavy Duty Orange Spiral Turbo Cup Grinders

SIZE	T5H Cat # (with 5/8"-11 hub)	T5H Cat # (with 7/8" hub)	List Price
4" (9 seg)	17943	20710	\$155
5" (12 seg)	69357	78871	204
7" (12 seg)	15095	18155	219
7" (24 seg)	15096	18396	322

Dry Ring Cup Grinders

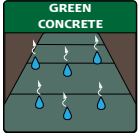
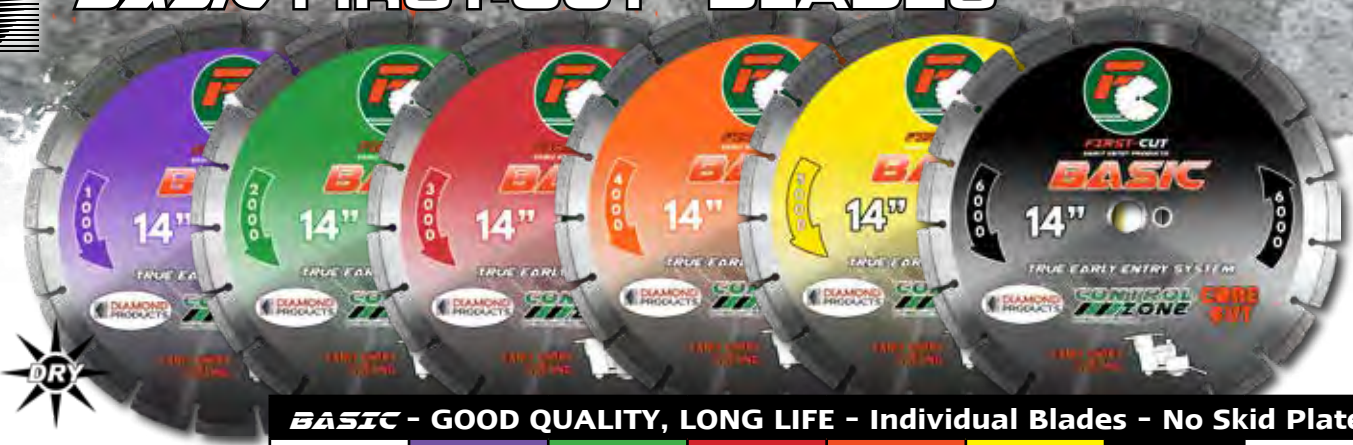
- 3 bonds to fit your application
- **Fine grit**-smoothest finish
- **Medium grit**-basic grinding and removal
- **Coarse grit**-heavy aggressive removal

Heavy Duty Dry Ring Cup Grinders

SIZE	GRIT	BOND	Cat #	List Price
4" x 7/8"	Fine	KT5HF	35645	\$170
4" x 7/8"	Medium	KT5HM	26060	170
4" x 7/8"	Coarse	KT5HC	23329	170
4" x 5/8-11	Fine	KT5HF	19546	170
4" x 5/8-11	Medium	KT5HM	17539	170
4" x 5/8-11	Coarse	KT5HC	23051	170
7" x 5/8-11	Coarse	KT5HC	23154	305
7" x 7/8"	Coarse	KT5HC	31547	305



BASIC FIRST-CUT™ BLADES



**FOR USE ON
FIRST-CUT™ OR
COMPETITOR
SAWS**



BASIC - GOOD QUALITY, LONG LIFE - Individual Blades - No Skid Plate

SIZE	BASIC1000 Cat #	BASIC2000 Cat #	BASIC3000 Cat #	BASIC4000 Cat #	BASIC5000 Cat #	BASIC6000 Cat #	LIST PRICE
4" x .080	70113	70114	70116	70117	70119	70120	\$81
6" x .100	63013	40544	40546	40547	63014	63016	144
8" x .100	63056	42938	42939	42943	63058	63063	231
8" x .125	63365	63371	63372	63373	63380	63381	251
10" x .110	63382	46593	46596	46599	63384	63388	321
10" x .250	63389	63390	63392	63396	63397	63404	540
12" x .125	63413	44970	44971	44974	63415	63416	396
12" x .250	63417	63419	63420	63421	63422	63423	651
13.5" x .125	63426	63427	63428	63429	63430	63437	437
13.5" x .250	63440	63441	63442	63446	63447	63449	779
14" x .125	63450	44976	44977	44978	63458	63464	482
14" x .250	63465	63466	63467	63468	63469	63470	783

BASIC - GOOD QUALITY, LONG LIFE - with Skid Plate

SIZE	BASIC1000 Cat #	BASIC2000 Cat #	BASIC3000 Cat #	BASIC4000 Cat #	BASIC5000 Cat #	BASIC6000 Cat #	LIST PRICE
6" x .100*	64125	64132	64133	64134	64135	64136	\$173
8" x .100	64163	64166	64167	64185	64206	64207	260
8" x .125	64234	64235	64236	64237	64238	64242	280
10" x .110	64271	64273	64274	64275	64276	64282	357
10" x .250	64335	64338	64341	64344	64345	64348	630
12" x .125	64376	64378	64379	64384	64387	64388	440
12" x .250	64439	64441	64442	64443	64447	64448	750
13.5" x .125	64471	64473	64474	64479	64482	64485	481
13.5" x .250	64516	64518	64522	64526	64528	64530	878
14" x .125+	64546	64547	64550	64552	64553	64555	543
14" x .250+	64573	64579	64580	64581	64582	64583	867

* For use on the First-Cut CC150XL-EE saw. + For use on the First-Cut CC190PRO-EE saw.

**Packaged
with
Skid
Plate**



**Includes 1"
arbor with
drive-pin hole
and triangle
knock-out**

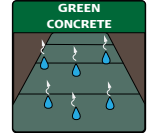
Consider the aggregate in your area and cure time before determining the bond specification

Color codes **do not** refer to the aggregate map color codes found at the front of this book..

SPECIFICATIONS

Specification	Aggregate
1000-Purple	Very Hard
2000-Green	Hard
3000-Red	Medium Hard
4000-Orange	Medium
5000-Yellow	Medium Soft
6000-Black	Soft

EXPERT FIRST-CUT™ BLADES



**FOR USE ON
FIRST-CUT™ OR
COMPETITOR
SAWS**



EXPERT - VERY HIGH QUALITY, LONGER LIFE - Individual Blades - No Skid Plate

SIZE	EXPERT1000 Cat #	EXPERT2000 Cat #	EXPERT3000 Cat #	EXPERT4000 Cat #	EXPERT5000 Cat #	EXPERT6000 Cat #	LIST PRICE
6" x .095	66117	67330	57526	68407	69019	56798	\$179
6.5" x 100	90411	---	---	---	---	---	195
8" x .100	67332	67331	68352	68328	68380	68331	277
10" x .110	68782	67318	55816	68498	51150	56801	393
12" x .125	67326	67325	57524	68512	90673	52597	472
12" x .250	70590	68507	68590	68515	68475	70118	951
13.5" x .125	68438	67329	67898	69554	68378	69690	534
13.5" x .250	69159	70166	69328	69853	68434	68384	1,090
14" x .125	68394	68392	57525	68518	51156	51177	595
14" x .250	68521	70559	68526	68469	68351	69770	1,149

EXPERT - VERY HIGH QUALITY, LONGER LIFE - with Skid Plate

SIZE	EXPERT1000 Cat #	EXPERT2000 Cat #	EXPERT3000 Cat #	EXPERT4000 Cat #	EXPERT5000 Cat #	EXPERT6000 Cat #	LIST PRICE
6" x .095*	64145	64147	64149	64150	64155	64156	\$207
8" x .100	64208	64210	64212	64216	64217	64218	306
10" x .110	64288	64289	64290	64293	64296	64298	429
12" x .125	64389	64390	64402	64417	64418	64419	516
12" x .250	64449	64451	64452	64453	64458	64460	1,050
13.5" x .125	64488	64489	64493	64494	64495	64498	578
13.5" x .250	64532	64533	64535	64541	64543	64544	1,189
14" x .125+	64557	64558	64559	64561	64562	64566	656
14" x .250+	64584	64585	64590	64597	64598	64599	1,233

* For use on the First-Cut CC150XL-EE saw. + For use on the First-Cut CC190PRO-EE saw.



**Packaged
with
Skid
Plate**

SPECIFICATIONS	
Specification	Aggregate
1000-Purple	Very Hard
2000-Green	Hard
3000-Red	Medium Hard
4000-Orange	Medium
5000-Yellow	Medium Soft
6000-Black	Soft

Consider the aggregate in your area and cure time before determining the bond specification

Color codes **do not** refer to the aggregate map color codes found at the front of this book..

Joint Protectors

- (50 per bag)
- 2" long x 1/2" wide x 1/8" thick
- Used when making cross-cuts in green concrete



Part #	Cat #	LIST PRICE
JOINTPRO-50	17145	\$11



SKID PLATES



All Diamond Products Skid Plates Fit All Soff-Cut® Saws.

Only 6" and 14" Skid Plates Will Fit Diamond Products Saws.

Skid Plate Features

- Stainless steel construction
- 1/8" thick bottom plate allows skid to be used for 2-3 blades before requiring replacement depending on the abrasive properties of the aggregate and the diameter of the blade
- Steel mounting pins that won't break or fail like some cast aluminum competitor mounts
- Mounted with a locking pin to keep the plate in place
- Fits both steel and cast skid plate saws



ALWAYS CHECK SKID PLATE BEFORE SAWING!

Look for wear at these highlighted areas on the bottom side of the skid plate. If the slot is no longer a straight line, you must replace the skid plate. This wear is typically seen every 2 to 3 blade lives depending on the aggregate type.

When Used with Hard Aggregate:

Blades in hard aggregate have shorter life so the skid plate will last longer. This holds true for diamond blades. They wear out faster, which leads to less skid plates being needed due to less abrasion wearing on the steel skid plate.

When Used with Soft Aggregate:

Blades in soft aggregate last longer so the skid plates wear out with fewer blades. Blades specifications for soft aggregate are typically hard, which results in more skids plates being needed due to more abrasion on the steel skid plate.

SKID PLATES-FOR .125 & .250 THICK BLADES

Description	.125 Part #	.125 Cat #	LIST PRICE	.250" Part #	.250" Cat #	LIST PRICE
Skid Plate for 6" and 8" Blades	2505236*+	40029	\$28	6011520*+	51726	\$81
Skid Plate for 10" Blades	2505237+	40038	35	6011523+	56358	88
Skid Plate for 12" and 13.5" Blades	2505238+	40039	43	6011526+	56636	97
Skid Plate for 14" Blades	2505239*+	42936	60	2505274*+	85782	83

* For use on Core Cut saws. + For use on competition style saw.

Skid plates for .375" and .500" thick blades available upon request.

Soff-Cut® is a registered trademark of Husqvarna AB (publ) and is in no way affiliated with Diamond Products Limited.

TRUE EARLY ENTRY™ SYSTEM



TRUE EARLY ENTRY™ System Components:

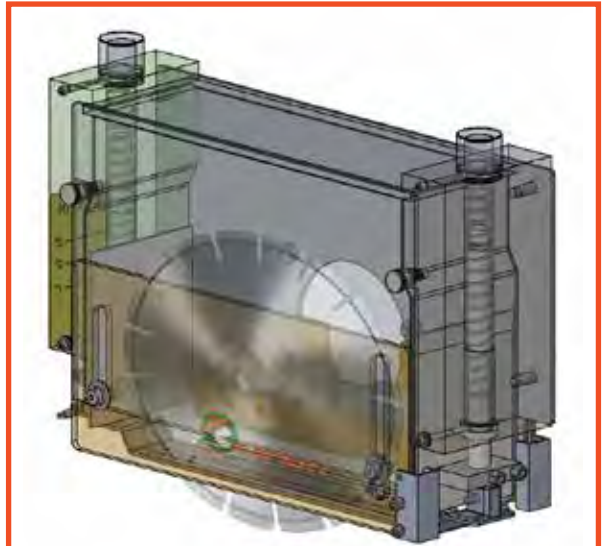
- First-Cut™ blade (3 quality grades-Basic, Expert, Ultra)
- First-Cut™ saw with skid plate guard system
- Optimal Time of Cutting-Known as the **Control Zone™** (2 hours after finishing and before final set)

WHAT ARE TRUE EARLY ENTRY™ CONTROL/RELIEF JOINTS?

As concrete is placed and being finished, chemical reactions begin to take place causing the slab to increase in temperature. Stress, caused by shrinkage, begins to accumulate rapidly. At this time the concrete is looking for relief. If not relieved in a timely manner the concrete will relieve itself, resulting in random cracks appearing across the surface of the slab.

By placing **True Early Entry™** joints at the appropriate spacing (normally 10' to 12' apart) the concrete finds the relief its looking for and cracks directly beneath the cut.

The timing of **True Early Entry™** joints are critical! Controlling random cracking is all about the timing of the cut, not the depth of the cut. Cuts must be placed between the initial set and the final set of the concrete. This **CONTROL ZONE™** is the optimal cutting time to give concrete relief when it is looking for it the most.



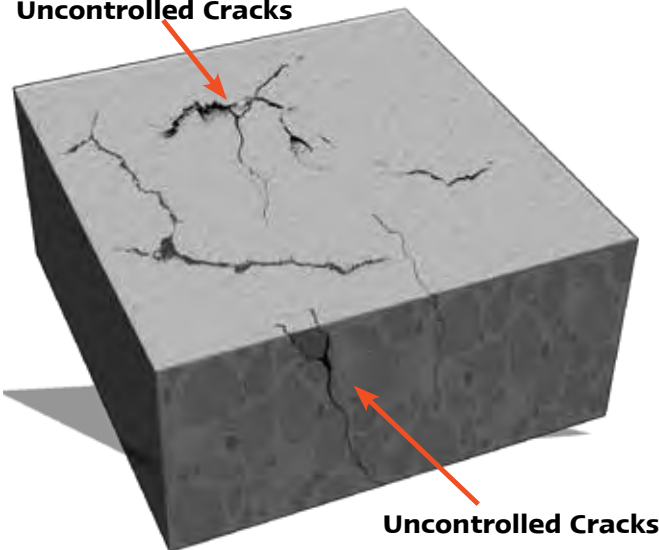
First-Cut™ Skid Plate Guard System

Our First-Cut saws utilize a skid plate guard system that protects concrete spalling during the cut. A spring-loaded skid plate holds it down and keeps aggregate from pulling out of the slab. The guard system is low-maintenance and heavy duty to withstand extended use on the job.



Why You Need to Use the True Early Entry™ System

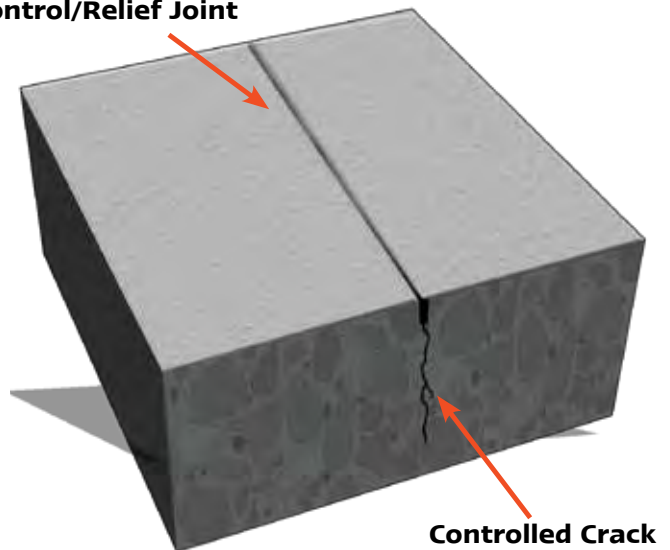
Uncontrolled Cracks



Concrete Without Control/Relief Joint

Without a control or relief joint made into the material, heat and cold aligned with curing can cause expanding and contracting of the concrete, creating uncontrolled cracks throughout. Those cracks will eventually create ruptures and sections that can pull apart from the rest of the material.

Control/Relief Joint



Concrete With Control/Relief Joint

Making a controlled cut in the concrete **CONTROLS** where the cracks appear. When this procedure is done in determined spaced sections, the damage and cracking is kept at a minimum which prolongs the life of the concrete slab.



DRY WALK BEHIND BLADES



DRY WALK BEHIND BLADES

- All dry walk behind blades include a drive pin hole
- For intermittent cuts without water for patch/repair work or expansion joints
- Laser welded for dry cutting

Delux-Cut Dry Walk Behind

Basic quality diamond and economical cutting value

SIZE	DC1D Cat #	DA2D Cat #	List Price
12" x .125 x 1"	20806	20861	\$150
14" x .125 x 1"	20825	20875	194

Star Blue Dry Walk Behind

Good quality diamond and good cutting value

SIZE	DC1B Cat #	DA2B Cat #	List Price
12" x .125 x 1"	70424	70412	\$187
14" x .125 x 1"	70426	70422	242
18" x .125 x 1"	83679	83678	395

Standard Gold Dry Walk Behind

Better quality diamond and better cutting value

SIZE	DC1S Cat #	DA2S Cat #	DG3S Cat #	List Price
12" x .125 x 1"	11208	11189	11219	\$438
12" x .187 x 1"	27278	14702	---	619
14" x .125 x 1"	11210	11190	11222	570
14" x .187 x 1"	11211	11191	---	832
18" x .125 x 1"	50004	50002	---	834
20" x .125 x 1"	17457	14917	---	839

Imperial Purple Dry Walk Behind

Better quality diamond and very good cutting life

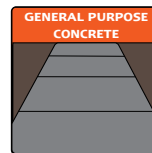
SIZE	DC1I Cat #	List Price
12" x .110 x 1"	89306	\$469
14" x .125 x 1"	73080	602



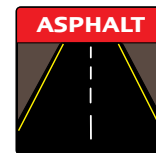
For use on low horsepower (< 20HP) walk behind saws



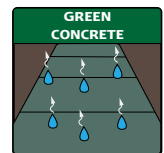
Dry blades are cooled with air by using intermittent cutting. Dry blades can be used with water.



DC1D
DC1B
DC1S
DC1I



DA2D
DA2B
DA2S



DG3S

Dry Walk Behind

DRY WALK BEHIND BLADES



Heavy Duty Orange Dry Walk Behind Very high quality diamond and Longer blade life				
SIZE	DC1H Cat #	DA2H Cat #	DG3H Cat #	List Price
12" x .125 x 1"	11196	11156	11213	\$587
12" x .187 x 1"	11197	11158	50718	758
14" x .125 x 1"	11199	11162	11215	721
14" x .187 x 1"	11200	11170	19093	924
16" x .125 x 1"	15499	15334	35322	1,106
16" x .187 x 1"	30677	46464	---	957
18" x .125 x 1"	11203	11174	44588	1,060
20" x .125 x 1"	60330	44475	---	1,009

Premium Black Dry Walk Behind Highest quality diamond and Longest blade life				
SIZE	DC1P Cat #	DA2P Cat #	DG3P Cat #	List Price
12" x .125 x 1"	11204	11175	11217	\$736
12" x .187 x 1"	11205	15954	24109	988
14" x .125 x 1"	11206	11178	11218	906
14" x .187 x 1"	11207	11183	77223	1,223
16" x .125 x 1"	16585	63018	70883	1,000
16" x .187 x 1"	42715	---	---	1,700
18" x .125 x 1"	14582	34477	25607	1,018
20" x .125 x 1"	55061	60631	---	1,374

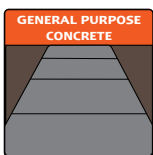
WIDE GULLETS TO KEEP THE BLADE COOL

.125" Blades can be used on high speed saws

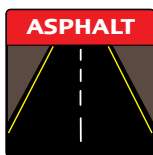
V-Gullets allow less surface-to-surface contact and helps keep the blade cool in dry applications.



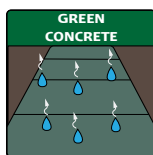
For use on low horsepower (< 20HP) walk behind saws



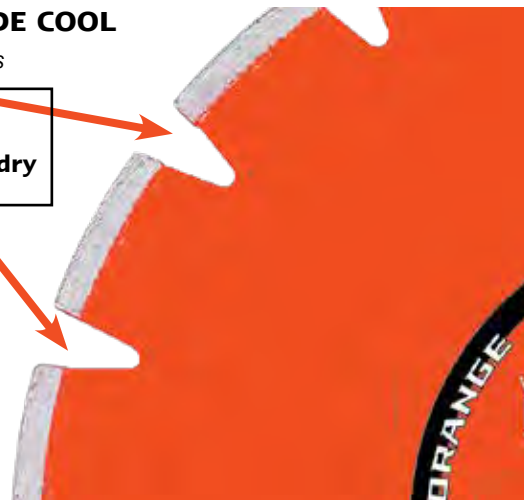
DC1H
DC1P



DA2H
DA2P

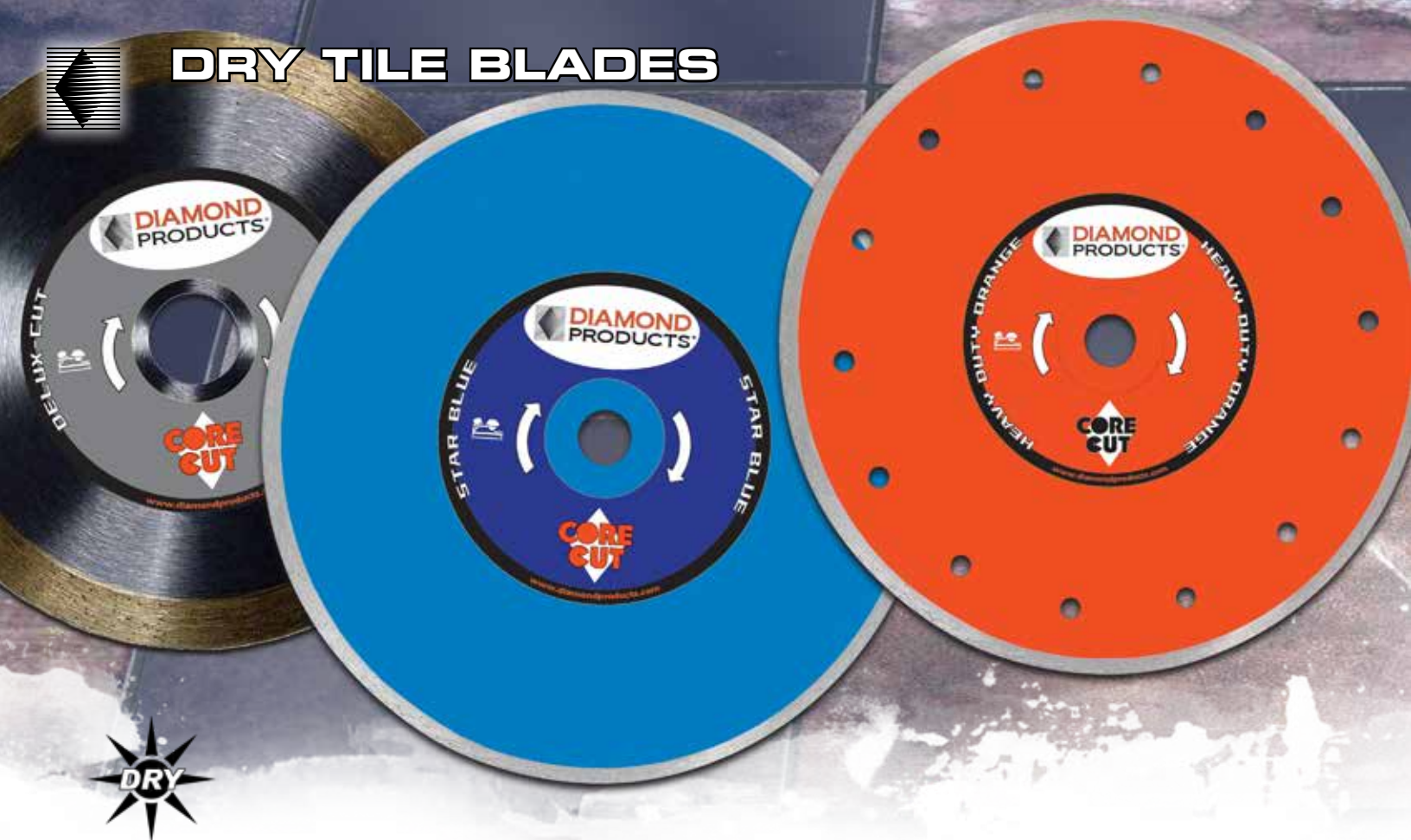


DG3H
DG3P



- All dry walk behind blades include a drive pin hole
- For intermittent cuts without water for patch/repair work or expansion joints
- Laser welded for dry cutting

DRY TILE BLADES



Delux-Cut

- Basic quality diamond and economical cutting value

Star Blue

- Good quality diamond and good cutting value

Heavy Duty Orange

- Very high quality diamond and longer cutting life

Delux-Cut Dry Tile		
SIZE	TD2D Cat #	List Price
*4" x .060 x 7/8"	20664	\$19
*4-1/2" x .060 x 7/8"	20675	22
*5" x .060 x 7/8"	20681	30
*6" x .060 x 7/8"	20716	40
**7" x .060 x 5/8"	20721	51
8" x .060 x 5/8"	20733	62
★9" x .060 x 1"	68466	64
10" x .060 x 5/8"	20751	67
Delux-Cut 5-Packs		
*4" x .060 x 7/8"	20768	\$91
**7" x .060 x 5/8"	20769	245

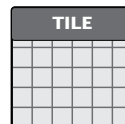
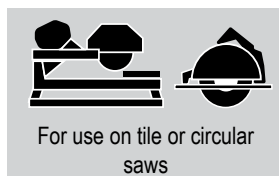
Star Blue Dry Tile		
SIZE	TD2B Cat #	List Price
*4" x .060 x 7/8"	80012	\$24
*5" x .060 x 7/8"	80013	36
**7" x .060 x 5/8"	80014	64
8" x .060 x 5/8"	80015	77
★9" x .060 x 1"	68467	80
10" x .060 x 5/8"	80016	86
Star Blue 5-Packs		
*4" x .060 x 7/8"	80017	\$115
**7" x .060 x 5/8"	80018	307

Heavy Duty Orange Dry Tile		
SIZE	TD2H Cat #	List Price
*4" x .060 x 7/8"	12508	\$82
*5" x .060 x 7/8"	12510	101
*6" x .060 x 7/8"	12512	111
**7" x .060 x 5/8"	12515	128
8" x .060 x 5/8"	12517	152
10" x .060 x 5/8"	12519	163
Heavy Duty Orange 5-Packs		
*4" x .060 x 7/8"	55221	\$394
**7" x .060 x 5/8"	55222	614

*Denotes 7/8" arbor with 5/8" bushing.

**Denotes diamond arbor with 5/8" (removable) bushing

★ 1" arbor with removable 5/8" bushing



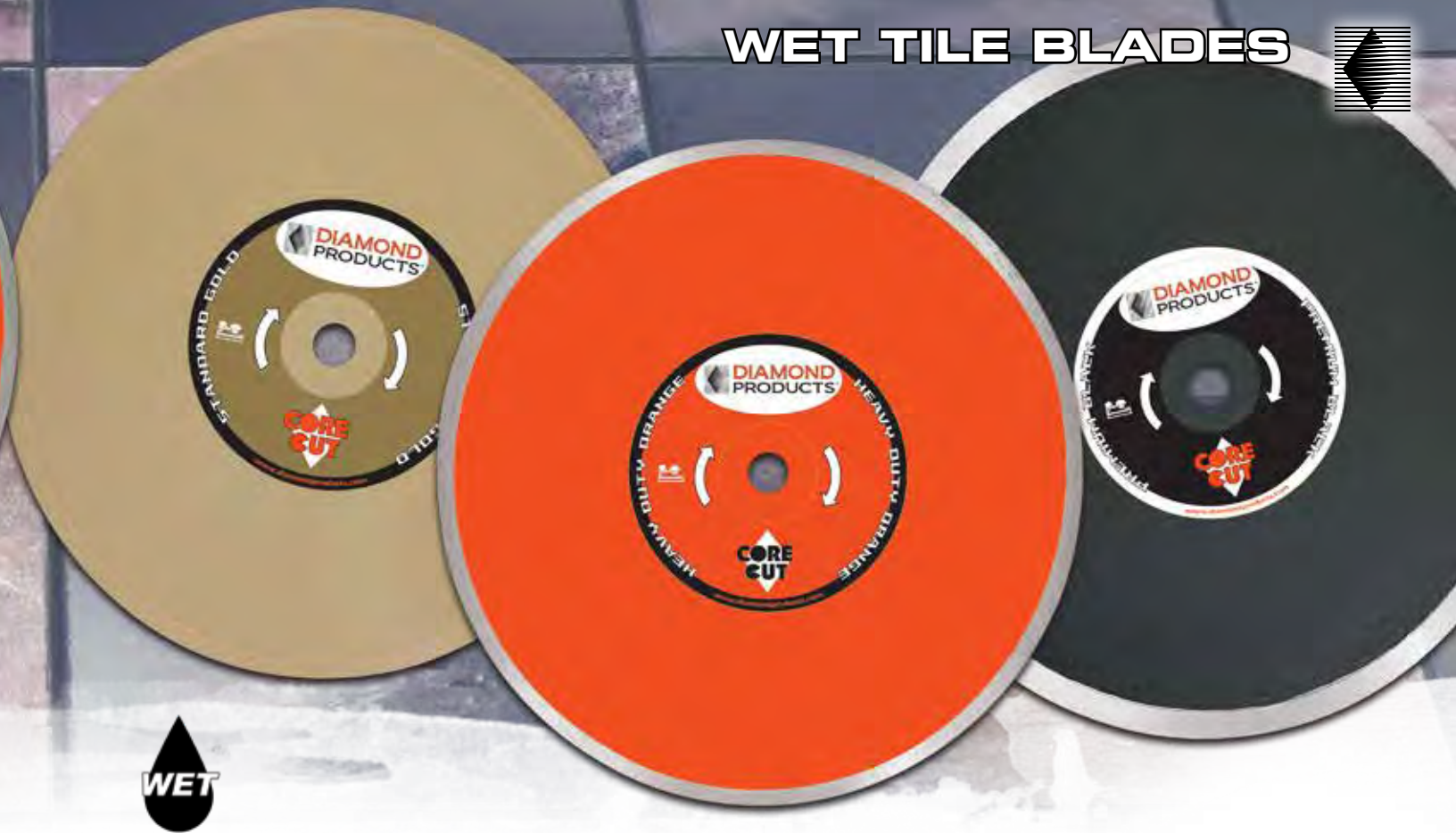
TD2D
TD2B
TD2H



Tile Sharpening Stone

Part #	Cat #	List Price
SS1000	48960	\$71

WET TILE BLADES



Standard Gold

- Better quality diamond and better cutting value

Heavy Duty Orange

- Very high quality diamond and longer cutting life

Premium Black

- Highest quality diamond and longest cutting life

Standard Gold Wet Tile			
SIZE	T17S Cat #	T110S Cat #	List Price
3-3/8" x .050 x 5/8"	45233	---	\$41
4" x .060 x 5/8"	12374	87701	50
6" x .060 x 5/8"	12375	87702	63
7" x .060 x 5/8"	45234	87703	67
8" x .060 x 5/8"	12377	87704	80
9" x .060 x 5/8"	45235	87705	91
10" x .060 x 5/8"	12379	87706	102
12" x .080 x 1"	45236	87707	156
14" x .080 x 1"	13522	87708	202

Heavy Duty Orange Wet Tile			
SIZE	T17H Cat #	T110H Cat #	List Price
4" x .060 x 5/8"	58059	87709	\$63
4-1/2" x .060 x 5/8"	87835	12343	66
4-1/2" x .060 x 20mm	96903	---	66
6" x .060 x 5/8"	12346	87710	75
7" x .060 x 5/8"	57855	87711	93
8" x .060 x 5/8"	12352	87712	104
9" x .060 x 5/8"	12355	87713	119
10" x .060 x 5/8"	12359	87714	126
12" x .080 x 1"	13512	87715	177
14" x .080 x 1"	23838	87716	253

Premium Black Wet Tile			
SIZE	T17P Cat #	T110P Cat #	List Price
4" x .060 x 5/8"	12361	87717	\$82
6" x .060 x 5/8"	12362	87718	97
7" x .060 x 5/8"	45553	87719	114
8" x .060 x 5/8"	12364	87720	125
9" x .060 x 5/8"	87725	87721	143
10" x .060 x 5/8"	12368	87722	159
12" x .080 x 1"	12369	87723	258
14" x .080 x 1"	12370	87724	300



TILE

T17S
T17H
T17P

T17- Fast, smooth cut in granite, marble, glass, porcelain and other hard, dense tiles.

HARD TILE

T110S
T110H
T110P

T110- Fast cutting in ceramic or fiberglass and other soft, porous tiles.



SURFACE PREPARATION PRODUCTS



CP305 Hand Polisher

Wet/Dry Polishing Pads

3-Step Polishing Pucks

Metal Transition Pucks

Arrow Segmented Cups

CPG80E Low Profile Floor Grinder

CPG100 Single Head Floor Grinder

CPG200 Dual Head Floor Grinder

CORE LOCK Grinding Inserts

HTC® Compatible Grinding Inserts



12" Grinding Width

CORE PREP™

Floor Preparation Products

5" Pad Capacity

Electric

- Uses three 5" diamond polishing pads and/or diamond grinding discs
- Planetary, gear driven system
- Powered by a heavy duty FEIN® variable speed motor
- Center coolant feed
- Precision bearings
- Heavy duty handles and body
- Built-in vacuum port
- Rugged, hand-operated 12" platform that grinds, hones and polishes concrete surfaces
- Operates wet or dry (with optional dust cowl)
- 12" platform turns at a lower rate than the higher rotational speed (>2000rpm) of the 5" platens
- The RPM provides the optimal speed for diamond polishing, producing a perfect finish 5 times faster than a single head polisher



**One of three 5" grinding platens
(Velcro® surface)**

CP305 SPECIFICATIONS

Power Supply	115V/60Hz
Motor Power	2 HP
Amp Draw	11 amp, uses 20amp breaker
RPM	2500
Includes	Slurry skirt, coolant feed

DS3011 POLISHER

CP305 HAND POLISHER

Model #	Motor Power	Power Source	Part #	Cat #	Pad Capacity	Product Weight (lbs.)	List Price
DS305	115 V, 11 amp	Electric	5801328	32947	5" x 3	30	\$4,134



POLISHING PADS & PUCKS

Ultra-Smooth, High Sheen Finish!

For Use on Most Standard Concrete Polishing Machines

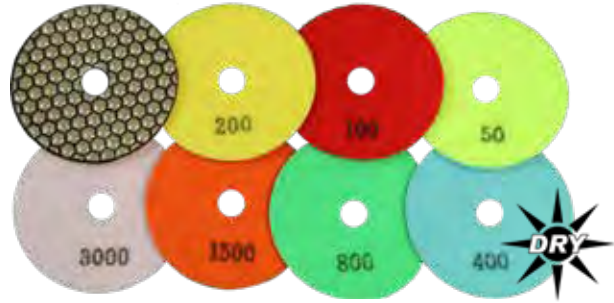


Premium Wet Polishing Pads

- Resin bonded pads for high sheen concrete polishing
- Ultra-smooth finish
- High strength Velcro® back for worry-free finishing

4" Premium WET Polishing Pads

Grit	Part #	Cat #	List Price
50	DCP043050	68436	\$26
100	DCP0430100	68439	26
200	DCP0430200	68440	26
400	DCP0430400	68441	26
800	DCP0430800	68442	26
1500	DCP04301500	68480	26
3000	DCP04303000	68487	26



Premium Dry Polishing Pads

- Resin bonded pads for high sheen concrete polishing
- Ultra-smooth finish
- High strength Velcro® back for worry-free finishing

4" Premium DRY Polishing Pads

Grit	Part #	Cat #	List Price
50	DCPD0450	68509	\$29
100	DCPD04100	68510	29
200	DCPD04200	68516	29
400	DCPD04400	68529	29
800	DCPD04800	68530	29
1500	DCPD041500	68536	29
3000	DCPD043000	68545	29

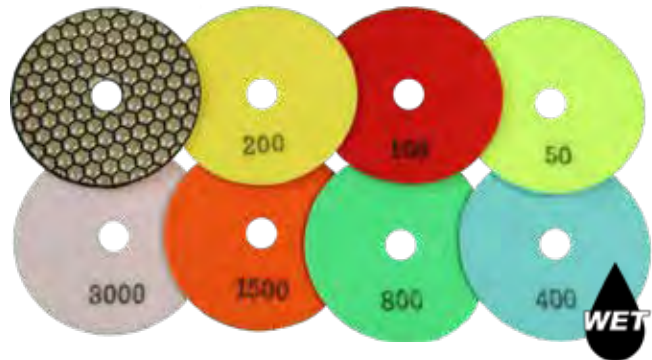


5" Premium Dry Polishing Pads

- Resin bonded pads for high sheen concrete polishing
- Ultra-smooth finish
- High strength Velcro® back for worry-free finishing

5" Premium WET Polishing Pads

Grit	Part #	Cat #	List Price
50	DCP053050	85165	\$36
100	DCP0530100	85241	36
200	DCP0530200	85262	36
400	DCP0530400	85349	36
800	DCP0530800	85356	36
1500	DCP05301500	85362	36
3000	DCP05303000	85378	36



7" Premium Wet/Dry Polishing Pads

- Resin bonded pads for high sheen concrete polishing
- Ultra-smooth finish
- High strength Velcro® back for worry-free finishing

7" Premium WET Polishing Pads

Grit	Part #	Cat #	List Price
50	DCP073050	21901	\$68
100	DCP0730100	21971	68
200	DCP0730200	22014	68
400	DCP0730400	22028	68
800	DCP0730800	22052	68
1500	DCP07301500	22066	68
3000	DCP07303000	22071	68

All Polishing Pads and Pucks use the DRY Discount



Premium Wet Polishing Pads

- Resin bonded pads for high sheen concrete polishing
- 3" for hand-held polishing machines
- High strength Velcro® back for worry-free finishing



3-Step Polishing Pucks

- Used in three phases for a beautiful shine
- 3" for hand-held polishing machines
- High strength Velcro® back for worry-free finishing



Metal Transition Grinding Pucks

- Good quality diamond for long life grinding
- Used for a smooth grind before polish
- Available in two grits

3" x 10mm Floor Polishing Pucks			
Grit	Part #	Cat #	List Price
50	DCP031050	68657	\$40
100	DCP0310100	68579	40
200	DCP0310200	68762	40
400	DCP0310400	68763	40
800	DCP0310800	68863	40
1500	DCP03101500	68881	40
3000	DCP03103000	68911	40

3" (3-STEP) Floor Polishing Pucks			
STEP	Part #	Cat #	List Price
#0	DCP03100	68934	\$52
#1	DCP03101	68942	52
#2	DCP03102	68951	52
#3	DCP03103	68989	52
#3 Extra Shine	DCP03103X	69006	52

3" METAL Floor Grinding Pucks			
Grit	Part #	Cat #	List Price
80	CGMP0380	69012	\$87
120	CGMP03120	69014	87



Backer Pads for Pads & Pucks

- 5/8"-11 threaded hub
- High-strength Velcro® back with foam cushion for worry-free finishing and grinding

Backer Pads			
Size	Part #	Cat #	List Price
4"	BPV4000	75461	\$9
5"	BPV5000	75462	11
7"	BPV7000	54543	19



ARROW Segmented Cup Wheel

- Good quality diamond for long life grinding
- Used for grinding concrete before polish

ARROW Segmented Cup Wheel for Floor Finishing			
SIZE	Part #	T5A Cat#	List Price
4" x 5/8-11	CGA4000	64783	\$104
5" x 5/8-11	CGA5000	65010	141
7" x 5/8-11	CGA7000	65085	236

All Polishing Pads and Pucks use the DRY Discount



CPG80E LOW PROFILE FLOOR GRINDER



Low profile for hard to reach areas



Adjustable rear axle and heavy duty steel frame



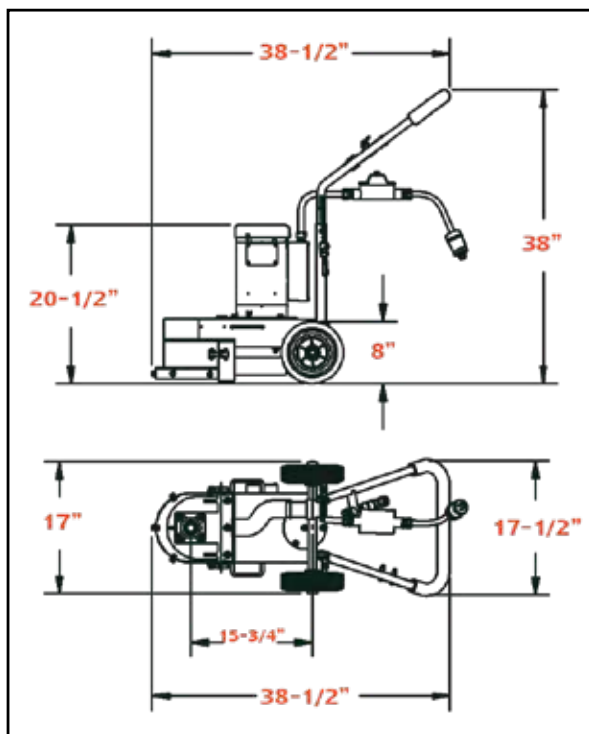
CORE PROP

Floor Preparation
Products



MADE IN THE
U.S.A.

CPG80E Floor Grinder



8" Head Capacity

Electric

FEATURES

- 2 HP Baldor-1PH, 115V, 16 amp motor
- Remove paint, epoxy and rough spots
- Easy to maneuver push drive
- Slurry skirt keeps the machine on the grinding surface
- 2800 rpm grinding head speed
- Includes 50ft, 12 gauge extension cord



8" Heavy Duty Orange grinding head included (Cat # 03330)

CPG80E SINGLE HEAD LOW PROFILE FLOOR GRINDER

Model #	Engine/Motor Type	Part #	Cat #	Head Capacity	Product Weight (lbs.)	List Price
CPG82E1-8	2HP-1PH-*115V or 230V Baldor® Electric	5801037	13317	8"	120	\$3,258

* Must specify 115V or 230V when ordering

CPG100 SINGLE HEAD FLOOR GRINDER



CORE PREP

Floor Preparation
Products



MADE IN THE
U.S.A.

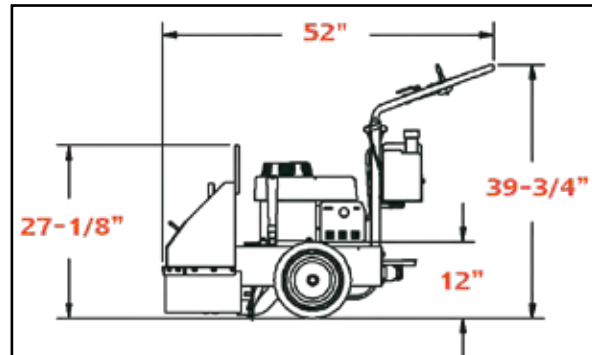
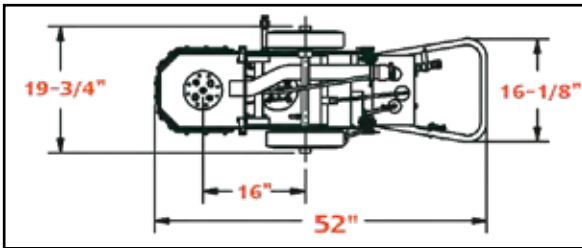


Grinds, cleans, levels,
and smooths bumps and uneven
areas quickly

10"/12" Head Capacity **Gasoline** **Electric** **Propane**

FEATURES

- Remote throttle
- 2" dust port opening
- Single grease point
- Steel box frame
- Adjustable operator handles
- Lifting handles
- Adjustable wheel location for added grinding strength
- Variety of power options: gas, electric, hydraulic or propane fitting
- Single head for fast, aggressive grinding
- Greasing points are easily accessible
- Electric models include starter box
- Includes 50 pound weight that maintains surface pressure



CPG100 Floor Grinder

CPG100 SINGLE HEAD FLOOR GRINDER

Model #	Engine/Motor Make	Engine/Motor Power	Power Source	Part #	Cat #	Head Capacity	Product Weight (lbs)	List Price
CPG102E1	Baldor®	2 HP-1PH, 115V or 230V	Electric	5800727	13227	10"/12"	370	\$4,031
CPG110H	Honda® GXV390	10.2 HP	Gas	5800726	13420	10"/12"	320	4,791
CPG175E1	Baldor®	7.5 HP-1PH, 230V	Electric	5800828	15040	10"/12"	355	6,044
CPG175E3	Baldor®	7.5 HP-3PH, 230V	Electric	5800829A	15048	10"/12"	370	5,747
CPG175E3	Baldor®	7.5 HP-3PH, 460V	Electric	5800829B	14123	10"/12"	370	5,755
NOTE: Floor Grinders comes with one 65lb weight ballast (*excludes Model # CPG102E1)								
Optional Second weight				2501047	47017	---	50	\$327
Propane Kit for CPG213H				6040322	10156	---	---	3,172
Bracket - required for propane kit				6043551	14589	---	---	259



CPG200 DUAL HEAD FLOOR GRINDER

Accommodates Both Diamond Grinding Heads, Grinding Blocks, and Grinding Plates with Core-Lock

10"/12" Head Capacity **Gasoline** **Electric** **Propane**

FEATURES

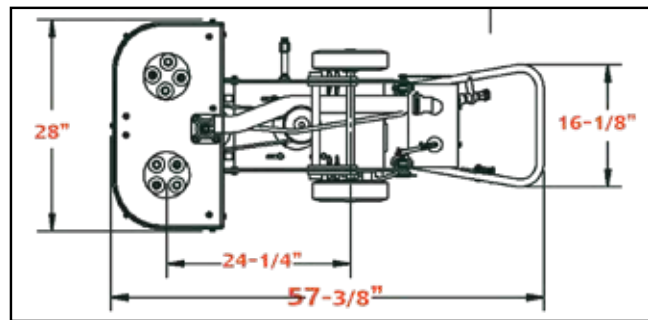
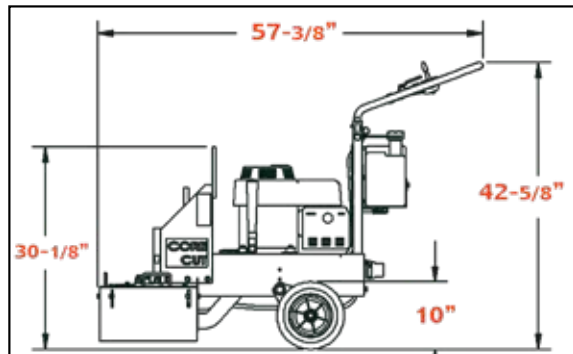
- Remote throttle
- 2" dust port opening
- Multiple grease point
- 1/4" thick steel box frame
- Water hose connection
- Adjustable operator handles
- Multiple lifting handles and single lifting point
- Dual head allows large 24" grinding area with two 12" heads
- 4 rear axle positions and swivel axle
- Matches the height of the grinding head being used and allows for rapid change in weight distribution during grinding or transport
- Can use diamond grinding head, carbide blocks, grinding stones, and Core-Lock
- Includes 50 pound weight that maintains surface pressure



Floor Preparation Products



MADE IN THE U.S.A.



CPG200 Floor Grinder

CPG200 DUAL HEAD FLOOR GRINDER

Model #	Engine/Motor Make	Engine/Motor Power	Power Source	Part #	Cat #	Head Capacity	Product Weight (lbs)	List Price
CPG210H	Honda® GXV390	10.2 HP	Gas	5801238	42874	(2)10"/(2)12"	530	\$8,165
CPG202E1	Baldor®	2 HP-1PH, 115V or 230V*	Electric	5801235	42765	(2)10"/(2)12"	390	7,485
CPG275E1	Baldor®	7.5 HP-1 PH, 230 Volt	Electric	5801236	42793	(2)10"/(2)12"	524	9,452
CPG275E1	Baldor®	7.5 HP-3 PH, 230 Volt	Electric	5801237A	42802	(2)10"/(2)12"	560	9,157
CPG275E3	Baldor®	7.5 HP-3 PH, 460 Volt	Electric	5801237B	42827	(2)10"/(2)12"	560	9,157
NOTE: Each Floor Grinder comes with one 65 lb weight ballast (*excludes Model # CPG202E1)								
Optional second weight				2501047	47017	---	---	\$327
Propane Kit for CPG213H				6040322	10156	---	---	3,127
Bracket - required for propane kit				6043551	14589	---	---	259

* Must specify 115V or 230V when ordering
Horsepower as rated by the engine manufacturer



See page 36 for
Diamond Grinding Blocks



Diamond Grinding Block
NOTE: Use diamond grinding blocks on dual head models only.



Super Premium Diamond Grinding Block with .433" Segment Height



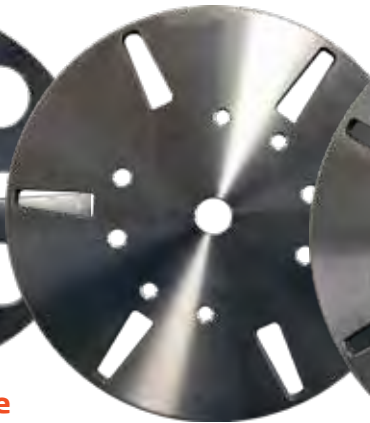
Carbide Cutting Block



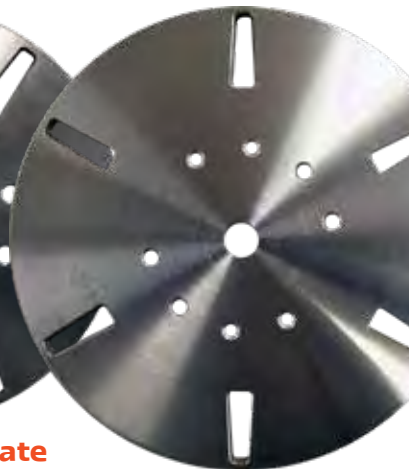
Aluminum discs used with 3 grinding blocks or stones for use with two discs on dual head models only. Also works with competition style floor grinders.



8" Grinding Plate
Fits Diamond Products' CP80E and Diteq® grinders



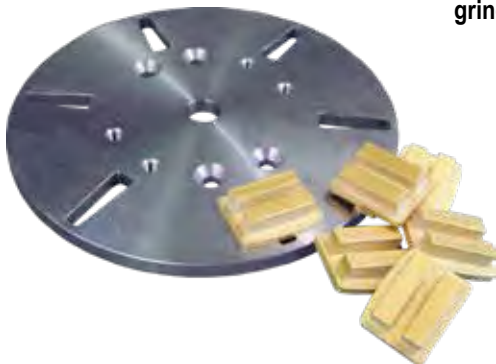
10" Grinding Plate
Fits Diamond Products' CP100 & CC200, Target, Husqvarna® and EDCO® grinders



12" Grinding Plate
Fits Diamond Products' CP200 grinders



CC200 Floor Grinder



PLATES FOR CORE-LOCK GRINDING INSERTS				
Size	Number of Inserts	Part #	Cat #	List Price
8"	4	GP8000	05407	\$315
10"	6	GP10000	05409	385
12"	6	GP12000	05419	410

DIAMOND GRINDING INSERTS

Core-Lock System

Diamond Segmented Grinding Inserts

- Good diamond quality for aggressive removal - also great for removing epoxy and paint
- Used in sets of three and available in single or double segments
- For use on floor grinding heads on walk behind machines
- Core-Lock System allows quick installation and worry-free performance



CORE-LOCK SYSTEM

Part numbers shown are for a package of 3 grinding inserts

SEGMENT STYLE



SEGMENT STYLE



SOFT CONCRETE

SINGLE Segment Grinding Insert Soft Concrete

Grit	Core-Lock Part #	Core-Lock Cat #	List Price
25	GSS1025	69022	\$182
40	GSS1040	69102	182
80	GSS1080	69191	182
150	GSS1150	69193	182

DOUBLE Segment Grinding Insert Soft Concrete

Grit	Core-Lock Part #	Core-Lock Cat #	List Price
25	GSD1025	69345	\$249
40	GSD1040	69391	249
80	GSD1080	69409	249
150	GSD1150	69426	249

MEDIUM CONCRETE

SINGLE Segment Grinding Insert Medium Concrete

Grit	Core-Lock Part #	Core-Lock Cat #	List Price
16	GMS2016	69429	\$182
25	GMS2025	69462	182
40	GMS2040	70169	182
80	GMS2080	69818	182
150	GMS2150	70241	182

DOUBLE Segment Grinding Insert Medium Concrete

Grit	Core-Lock Part #	Core-Lock Cat #	List Price
25	GMD2025	70249	\$249
40	GMD2040	70610	249
80	GMD2080	70810	249
150	GMD2150	71021	249

HARD CONCRETE

SINGLE Segment Grinding Insert Hard Concrete

Grit	Core-Lock Part #	Core-Lock Cat #	List Price
16	GHS3016	72964	\$182
25	GHS3025	73820	182
40	GHS3040	75563	182
80	GHS3080	76449	182
150	GHS3150	78256	182

DOUBLE Segment Grinding Insert Hard Concrete

Grit	Core-Lock Part #	Core-Lock Cat #	List Price
16	GHD3016	78463	\$249
25	GHD3025	81425	249
40	GHD3040	88918	249
80	GHD3080	91174	249
150	GHD3150	92798	249

EXTREMELY HARD CONCRETE

SINGLE Segment Grinding Insert Extremely Hard Concrete

Grit	Core-Lock Part #	Core-Lock Cat #	List Price
25	GXS4025	00164	\$182
40	GXS4040	03180	182
80	GXS4080	12390	182
150	GXS4150	16201	182

DOUBLE Segment Grinding Insert Extremely Hard Concrete

Grit	Core-Lock Part #	Core-Lock Cat #	List Price
25	GXD4025	25839	\$249
40	GXD4040	30043	249
80	GXD4080	30309	249
150	GXD4150	30485	249

GRINDING SHOE GRIT COLOR CODES:



For use on floor grinding machines.



To ensure maximum performance, water is required to cool grinding heads during the grinding process.

DIAMOND GRINDING INSERTS

For HTC® Machines



HTC®
Compatible

Part numbers
shown are for
sets of 3.

Diamond Segmented Grinding Segments for HTC® Machines

- Good diamond quality for aggressive removal - also great for removing epoxy and paint
- Used in sets of three and available in single or double segments
- For use on HTC grinding machines

SOFT CONCRETE	SINGLE Segment Grinding Insert Soft Concrete			
	Grit	Part # (HTC® Compatible)	Cat # (HTC® Compatible)	List Price
	25	GHSS1025	45020	\$237
	40	GHSS1040	45084	237
	80	GHSS1080	45121	237
150	GHSS1150	45142	237	
DOUBLE Segment Grinding Insert Soft Concrete				
Grit	Part # (HTC® Compatible)	Cat # (HTC® Compatible)	List Price	
25	GHSD1025	45158	\$297	
40	GHSD1040	45184	297	
80	GHSD1080	45251	297	
150	GHSD1150	45307	297	

MEDIUM CONCRETE	SINGLE Segment Grinding Insert Medium Concrete			
	Grit	Part # (HTC® Compatible)	Cat # (HTC® Compatible)	List Price
	16	GHMS2016	45386	\$237
	25	GHMS2025	45426	237
	40	GHMS2040	45470	237
80	GHMS2080	45499	237	
150	GHMS2150	45742	237	
DOUBLE Segment Grinding Insert Medium Concrete				
Grit	Part # (HTC® Compatible)	Cat # (HTC® Compatible)	List Price	
25	GHMD2025	45791	\$297	
40	GHMD2040	45896	297	
80	GHMD2080	45942	297	
150	GHMD2150	45952	297	

HARD CONCRETE	SINGLE Segment Grinding Insert Hard Concrete			
	Grit	Part # (HTC® Compatible)	Cat # (HTC® Compatible)	List Price
	16	GHHS3016	46085	\$237
	25	GHHS3025	46194	237
	40	GHHS3040	46243	237
80	GHHS3080	46369	237	
150	GHHS3150	46385	237	
DOUBLE Segment Grinding Insert Hard Concrete				
Grit	Part # (HTC® Compatible)	Cat # (HTC® Compatible)	List Price	
16	GHHD3016	46386	\$297	
25	GHHD3025	46387	297	
40	GHHD3040	46391	297	
80	GHHD3080	46392	297	
150	GHHD3150	46393	297	

EXTREMELY HARD CONCRETE	SINGLE Segment Grinding Insert Extremely Hard Concrete			
	Grit	Part # (HTC® Compatible)	Cat # (HTC® Compatible)	List Price
	25	GHXS4025	46398	\$237
	40	GHXS4040	46399	237
	80	GHXS4080	46401	237
150	GHXS4150	46496	237	
DOUBLE Segment Grinding Insert Extremely Hard Concrete				
Grit	Part # (HTC® Compatible)	Cat # (HTC® Compatible)	List Price	
25	GHXD4025	46524	\$297	
40	GHXD4040	46533	297	
80	GHXD4080	46539	297	
150	GHXD4150	46550	297	

HTC® is copyright of HTC Group and in no way affiliated with Diamond Products Ltd.

GRINDING SHOE GRIT COLOR CODES:

16
GRIT

25
GRIT

40
GRIT

80
GRIT

150
GRIT



For use on HTC floor grinding machines.



To ensure maximum performance, water is required to cool grinding heads during the grinding process.

Grinding Inserts

CORE CUT



SAWS





TILE SAWS



7" Tile Blade Included

CC600T



7" Capacity (5/8" arbor)

Electric

FEATURES

- 1-3/4" maximum cutting depth
- Easy to clean water tray
- Liquid cooled bearing housing
- Rip cut up to 17", diagonal cut to 12"
- Includes 45° and 90° rip guide/miter block
- Automatic thermal overload protection prevents power surges and overheating
- 1 HP carbon brush motor gives 6,000 RPM at the blade shaft



CC912TS

9" Tile Blade Included



1" Arbor

9" Capacity (1" arbor)

Electric

FEATURES

- 800 watt, 120 volt single phase electric motor
- Maximum cutting depth of 1-7/8"
- Heavy duty table with measuring guide
- Angle guide plate holds the work piece at various angles
- Easily-adjustable cutting guide remains parallel at all times
- Easy mounting water tray
- Safety relay switch
- Quick-release, tool-free table mount release for easy cleaning and blade replacement
- Easy adjustment miter - up to 45 degrees with 1-7/16" depth
- Includes parallel cutting guide, angle guide plate, M8 combo wrench and M19 combo wrench

CC600T & CC900TE

CC600T TILE SAW

Model #	Motor Make	Motor Power	Power Source	Part #	Cat #	Blade Capacity	Product Weight (lbs)	Dimensions	List Price
CC600T	Baldor®	1 HP	Electric	5800558PKG	65019	7"	43	33"L x 20"W x 16"H	\$746

CC912TS TILE SAW

Model #	Motor Make	Motor Power	Power Source	Part #	Cat #	Blade Capacity	Product Weight (lbs)	Dimensions	List Price
CC912TS	Baldor®	3/4 HP	Electric	5801608PKG	79575	9"	34	26"L x 21"W x 13"H	\$618



Miter Block

Included with CC600T tile saws



180° Angle Guide
For CC1000T tile saws



45°/90° Rip Guide
For CC900TE tile saws



Water Pump

Included with all table top tile saws
(2.5 gpm)



CC900TE ECONOMY TILE SAW



10" Capacity (5/8" arbor)

Electric

FEATURES

- 3-3/4" cutting depth
- 1-1/2 HP, 15amp, 115V high torque motor
- Rip cut up to 20", diagonal cut to 14"
- Plastic tray can be removed for cleaning
- Replaceable liquid cooled bearing housing
- Blade guard includes brush for additional blade cooling protection and over spray
- Includes 45° and 90° rip guide/miter block



CC1000T SUPER DUTY TILE SAW



10" Capacity (5/8" arbor)

Electric

FEATURES

- 3-3/4" cutting depth
- 1-1/2 HP, 15amp, 115V high torque motor
- Rip cut up to 24", diagonal cut to 18"
- Rigid, heavy duty steel frame
- Replaceable liquid cooled bearing housing
- Cutting tray/cart uses ball bearing wheels for smooth movement and accurate cutting
- Blade guard includes brush for additional blade cooling protection and over spray
- Includes 45° and 90° rip guide/miter block

CC900TE TILE SAW

Model #	Motor Make	Motor Power	Power Source	Part #	Cat #	Blade Capacity	Product Weight (lbs)	Dimensions	List Price
CC900TE	Baldor®	1-1/2 HP	Electric	5800559PKG	65020	10"	98	39"L x 24"W x 24"H	\$1,309

CC1000T TILE SAW

Model #	Motor Make	Motor Power	Power Source	Part #	Cat #	Blade Capacity	Product Weight (lbs.)	Dimensions	List Price
CC1000T	Baldor®	1-1/2 HP	Electric	5800572PKG	72483	10"	115	43"L x 26"W x 24"H	\$1,441

TILE SAW ACCESSORIES & OPTIONS

Description	Part #	Cat #	List Price
Water Pump	6030060	46817	\$104
45°/90° Rip Guide	6043002	57689	47
180° Angle Guide	6043004	57691	85
Miter Block CC900TE & CC1000T	6043043	60885	140
Miter Block CC600T	6043096	81771	85
Optional Folding Stand for CC600T	6043383	80419	210
Optional Folding Stand with Wheels	6043528	03734	254



Optional Folding Stand with Wheels
Scissor stand that fits the CC900TE, & CC1000T tile saws



MASONRY SAWS

CC300M

- 14" Blade Capacity
- 2HP Electric

CC500MXL2

- 14" Blade Capacity
- 1.5/2.0/2.5HP Electric
- 4.8HP Honda Gas
- 6.5HP Briggs Gas
- 6.5HP Lifan Gas

CC800M Block Saw

- 20" or 24" Blade Capacity
- 5HP 1PH or 3PH Electric
- 7.5HP 1PH or 3PH Electric
- 8HP Honda Gas
- 9HP Lifan Gas
- 11HP Honda Gas



See Our Full Line of
Masonry Blades on
Pages 52-53



FEATURES

- The most cost-efficient way to cut masonry
- Cuts 5" deep with 14" blade
- Powerful 2 HP electric motor
- Durable frame design
- Tool-free air filter replacement
- Longer motor life due to a superior foam air filter
- Includes 2 spare air filters
- Smooth sliding material cutting table
- Cutting head is pulled down into the material

SPECIFICATIONS

Power Supply	115V/60Hz
Motor Power	2 HP
Amp Draw	15 amp
RPM	3600
Max. Depth of Cut	5"
Max. Length of Cut	16"
Material Capacity	8" x 8" x 16"
Saw Height	24" without stand
Saw Length	28"
Saw Width	23"

CC300M ELECTRIC MASONRY SAW

Model #	Motor Power	Part #	Cat #	Blade Capacity	Product Weight (lbs.)	List Price
CC300M	2 HP-115 Volt 15 amp	5800730	84807	14"	85	\$1,221

CC300M OPTIONS

Description	Part #	Cat #	List Price
Folding Stand for CC300M	6043056	84808	\$205
Wet Cut Kit for CC300M	6043058	90644	404
Rip Guide	6043002	57689	47
180° Adjustable Angle Guide	6043004	57691	85



CC500MXL2 MASONRY SAW



Blade not included

4-Leg Kit is Standard



MADE IN THE U.S.A.

Shown with optional folding stand

14" Capacity

Gasoline

Electric

FEATURES

- Stay level blade guard
- Removable cutting head
- Leg kit standard-folding stand optional
- Side carrying handles
- Replaceable conveyor cart rails
- Includes water pump
- Vulcanized rubber coated material slide cart
- Easy and safe access to depth control lock
- Open back cutting allows longer material to be cut
- Heavy duty frame design help resist damage to saw body
- Reinforced slide rails keep the cart running smoothly
- Simple yet strong design allows easy maintenance
- Sealed drain hole on the bottom of the tray allows quick clean up

SPECIFICATIONS

Max. Depth of Cut	5"
Blade Shaft Diameter	7/8"
Arbor Diameter	1"
Blade Shaft Bearings	Flange block ball bearings
Blade Shaft Drive	2 belt
Blade Mounting	Right (electric), Left (gas)
Blade Raise/Lower	Counterbalanced, spring tensioned head pivots on two 7/8" flange block bearings
Blade Coolant	Dual spray tubes, pump fed (electric models), pump from tray (gas models)
Air Filter	3-stage cyclone (gas models)
Fuel Capacity	1 gallon (gas models)
High Temp Shut-off	Included (electric models)

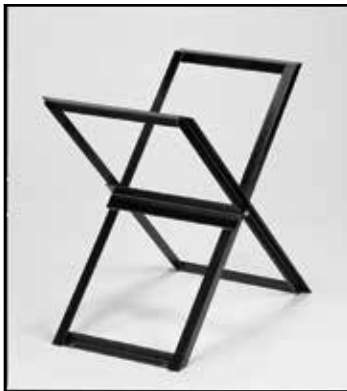
Low Amperage on Electric Models:

- 1.5HP Model Standard Draw 13.4 Amp
- Perfect for House Power
- 2.0HP Model Standard Draw 15.8 Amp
- 2.5HP Model Standard Draw 21 Amp



CC500MXL2 MASONRY SAW								
Model #	Motor/Engine Make	Motor/Engine Power	Power Source	Part #	Cat #	Blade Capacity	Product Weight (lbs)	List Price
CC515MXL2E1	Baldor®	1.5 HP-1PH-115/230V	Electric	5800799	03725	14"	215	\$2,498
CC520MXL2E1	Baldor®	2.0 HP-1PH 115/230V	Electric	5800814	08667	14"	227	2,552
CC525MXL2E1	Baldor®	2.5 HP-1PH-115/230V	Electric	5800801	03726	14"	228	2,787
CC548MHXL2	Honda® GX160	4.8 HP, 7.6 torque (lbs.-ft.)	Gas	5800803	03732	14"	220	3,490
CC565MBVXL2	Briggs & Stratton® Vanguard	6.5 HP	Gas	5801217	23961	14"	170	3,197
CC565MLXL2	Lifan® LF168F	6.5 HP	Gas	5801101	34008	14"	172	2,635

Horsepower and torque as rated by the engine manufacturer



Folding Stand



Folding Stand with Wheel Kit

CC500MXL2 OPTIONS			
Description	Part #	Cat #	List Price
Folding Stand	2500839	46870	\$314
Folding Stand Upgrade*	6030042	46893	216
Folding Stand Wheel Kit	6030040	48547	105
Cord 50 ft. 12GA 115V 20A Twist to 15A Straight	4699100	47884	342
Cord 100 ft. 12GA 115 V 20A Twist to 15A Straight	4699101	48548	542

*Must be ordered with new saw to upgrade from the leg kit.



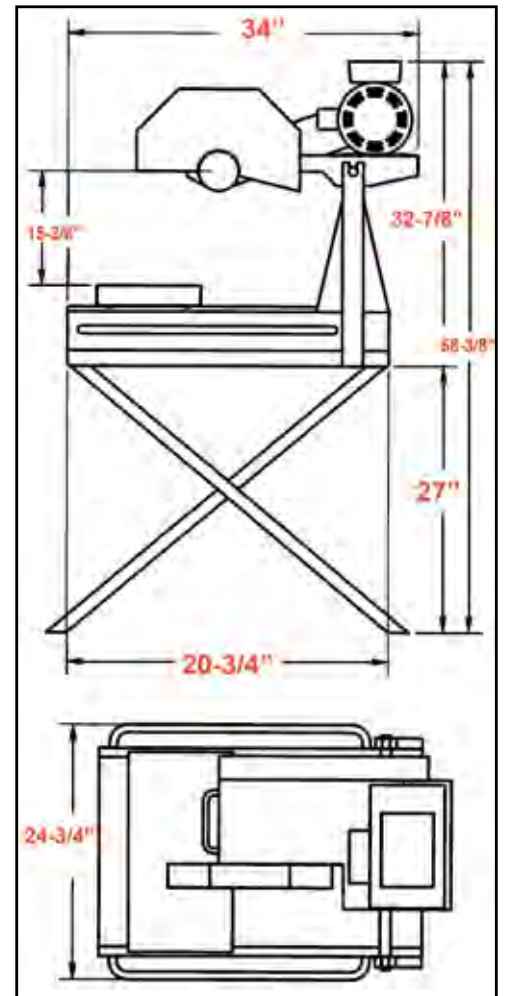
Removing the saw head is simple-just pull two locking pins and lift the head off of the frame. The cutting depth adjustment is on the side of the frame instead of the back.



The blade shaft and bearings are enclosed in a dust free housing to ensure long bearing life. The blade shaft cover plate allows easy access for greasing the bearings. The flange block bearings make bearing replacement easy without the need for a hydraulic press or other special tools.



The stay-level blade guard provides the operator with safety and convenience while sawing. Our pivot mechanism resists slurry build-up, which could affect pivoting performance.





CC800M BLOCK SAW



Blade not included



MADE IN THE U.S.A.



Blade not included

24" Capacity

Gasoline

Electric

FEATURES

- 24" blade cuts a 10" block in a single pass
- Variety of power options
- Stay level blade guard and enclosed blade shaft
- Replaceable cart travel rails
- Durable 3/16" steel frame
- Includes water pump
- Easy rolling 16" x 25" aluminum cutting cart/tray with vulcanized rubber coated non-slip top
- Large capacity, deep tapered water tray
- Foot pedal controlled operating head leaves the operators hands free to guide material
- Hand wheel for quick and easy blade cutting depth adjustment
- Enclosed cart wheels prevent damage
- Forklift opening for easy transport
- 2 V-belts promote efficient delivery of power to the blade
- Open back design for rip cutting longer materials
- Counterbalanced stay level blade guard assures the head is parallel to the cutting cart at all times

SPECIFICATIONS

Max. Depth of Cut	8" with 20" blade, 10" with 24" blade
Arbor Diameter	1"
Blade Shaft Bearings	Flange block ball bearings
Blade Shaft Drive	2 premium grip-notch v-belts
Blade Raise/Lower	Counterbalanced, spring tensioned head pivots on two 1" flange block bearings
Blade Coolant	Dual spray tubes, pump fed (electric models), garden hose connection (gas models)
Air Filter	3-stage cyclone (gas models)
Fuel Capacitor	1 gallon (gas models)
High Temp Shut-Off	Included (electric models)
Starter	Recoil on gas models capacity on electric models

CC800M Masonry Saw



CC800M BLOCK SAW								
Model #	Motor/Engine Make	Motor/Engine Power	Power Type	Part #	Cat #	Blade Capacity	Product Weight (lbs)	List Price
CC850ME1-20	Baldor®	5 HP-1PH, 230V	Electric	5800540	46820	20"	470	\$5,241
CC850ME3-20	Baldor®	5 HP-3PH, 230V	Electric	5800541A	96416	20"	460	5,366
CC850ME3-20	Baldor®	5 HP -3PH, 460V	Electric	5800541B	18533	20"	500	5,210
CC875ME1-20	Baldor®	7.5 HP-1PH, 230V	Electric	5800542	47664	20"	525	5,496
CC875ME3-20	Baldor®	7.5 HP-3PH, 230V	Electric	5800544A	96015	20"	510	5,624
CC875ME3-20	Baldor®	7.5 HP-3PH, 460V	Electric	5800544B	96336	20"	515	5,461
CC875ME1-24	Baldor®	7.5 HP-1PH, 230V	Electric	5800543	47630	24"	530	5,655
CC875ME3-24	Baldor®	7.5 HP-3PH, 230V	Electric	5800545A	97240	24"	505	5,787
CC875ME3-24	Baldor®	7.5 HP-3PH, 460V	Electric	5800545B	97000	24"	509	5,619
CC808MH-20	Honda® GX270	8 HP, 14.1 torque (lbs.-ft.)	Gas	5800546	47024	20"	460	5,779
CC809ML-20	Lifan® LF177F	9 HP	Gas	5801107	33971	20"	556	4,977
CC811MH-20	Honda® GX390	11 HP, 19.5 torque (lbs.-ft.)	Gas	5800547	47047	20"	485	6,098
CC811MH-24	Honda® GX390	11 HP, 19.5 torque (lbs.-ft.)	Gas	5800548	47046	24"	485	6,263
CC811MHE-20*	Honda® GX390	11 HP, 19.5 torque (lbs.-ft.)	Gas	5800566	60933	20"	515	7,262
CC811MHE-24*	Honda® GX390	11 HP, 19.5 torque (lbs.-ft.)	Gas	5800567	81160	24"	525	7,424

Horsepower as rated by the engine manufacturer.

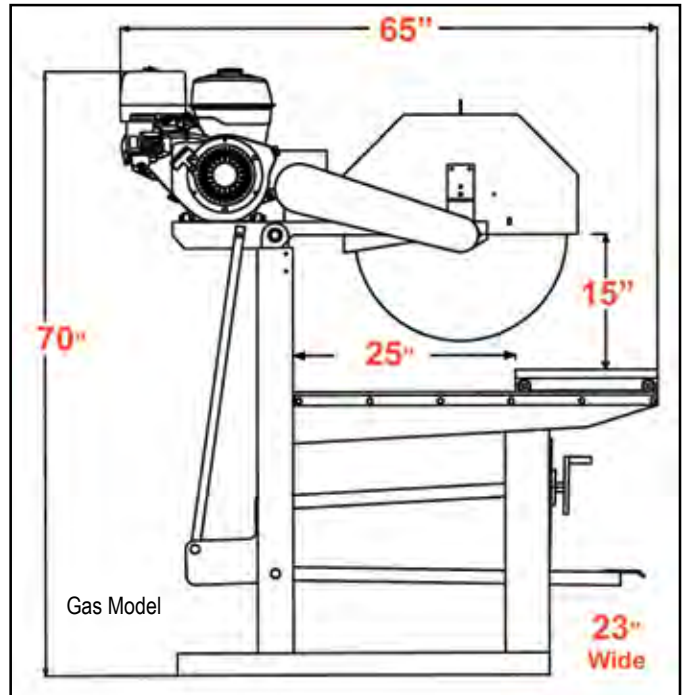
*Electric start



Pedal mechanism is spring loaded, giving you more control of your cut

Hand wheel makes it easy to adjust your cutting depth

Foot pedal leaves the operator's hands free which helps safety issues when cutting



CC800M Masonry Saw

We offer 20" and 24" masonry blades to maximize your productivity when using the CC800M or any of the other masonry saw models.

CC1000 SMALL JOINT CUTTING SAW



MADE IN THE U.S.A.

The Ultra Lightweight Saw That Cuts Decorative and Joint Cuts in Concrete



8" Blade Capacity

Gasoline

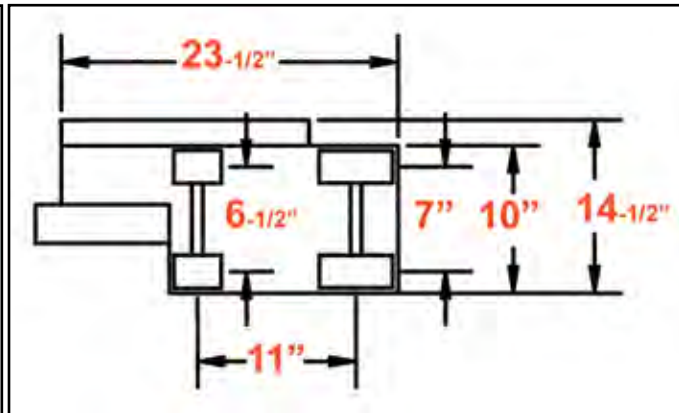
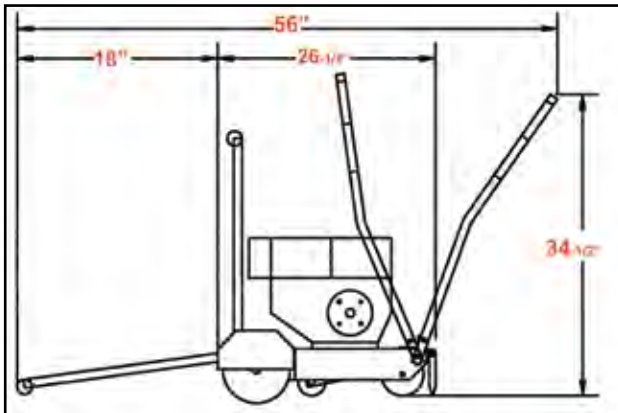
Electric

FEATURES

- Power transference to blade drive via 2 molded notch 3VX premium belts for better cutting performance and long belt life
- Easy to maneuver push drive
- Cyclone air cleaner for increased engine longevity
- **Center cut design** making it easier to keep the cut straight
- **Up-cut design** for a cleaner cut
- Adjustable blade alignment
- 1/8" steel frame
- 1" or 5/8" arbor with grease bearings

SPECIFICATIONS

Max. Depth of Cut	2-1/4" with 8" diameter blade
Blade Shaft RPM	6100
Blade Shaft Diameter	1"
Arbor Size	1" or 5/8" option
Front Wheels Size	3" x 2" x 3/4"
Rear Wheels Size	5" x 2" x 3/4"



CC1000 Saw

CC1000 SMALL JOINT CUTTING SAW

Model #	Engine/Motor Make	Engine/Motor Power	Power Source	Part #	Cat #	Blade Capacity	Product Weight (lbs)	List Price
CC1025E-8	Baldor®	2.5 HP, 110V/230V -1PH	Electric	5800552	47104	8"	75	\$3,095
CC1025E-8	Baldor®-5/8" shaft	2.5 HP, 110V/230V -1PH	Electric	5800716	63217	8"	75	3,067
CC1048H-8	Honda® GX160	4.8 HP, 7.6 Torque (lbs.-ft.)	Gas	5800551	46851	8"	110	2,879
CC1048H-8	Honda® GX160-5/8" shaft	4.8 HP, 7.6 Torque (lbs.-ft.)	Gas	5800620	82084	8"	120	2,879

Horsepower and torque as rated by the engine manufacturer

CC1100XL JOINT CUTTING MINI SAW



MADE IN THE U.S.A.



14" Blade Capacity

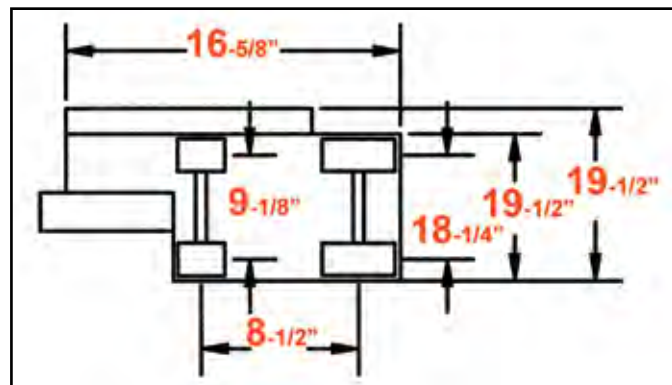
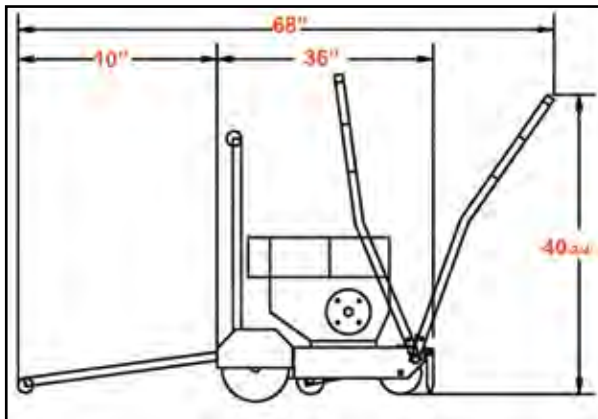
Gasoline

FEATURES

- Heavy duty adjustable operator handles
- Easy to maneuver push drive
- Up-cut or down-cut available
- 1" arbor size with drive pin
- Compact size for easy transporting

CSPECIFICATIONS

Max. Depth of Cut	4-5/8" with 14" diameter blade
Blade Shaft RPM	2650
Blade Shaft Diameter	1"
Arbor Size	1"
Front Wheels Size	3" x 2" x 3/4"
Rear Wheels Size	8" x 2" x 3/4"



CC1100XL JOINT CLEANING MINI SAW

Model #	Engine Make	Engine Power	Power Source	Part #	Cat #	Blade Capacity	Product Weight (lbs)	List Price
CC1111HXL-14	Honda® GX390-Downcut	11.7 HP, 19.5 Torque (lbs.-ft.)	Gas	5801015	04648	14"	185	\$3,125
CC1111HUXL-14	Honda® GX390-Upcut	11.7 HP, 19.5 Torque (lbs.-ft.)	Gas	5801020	08366	14"	215	3,125

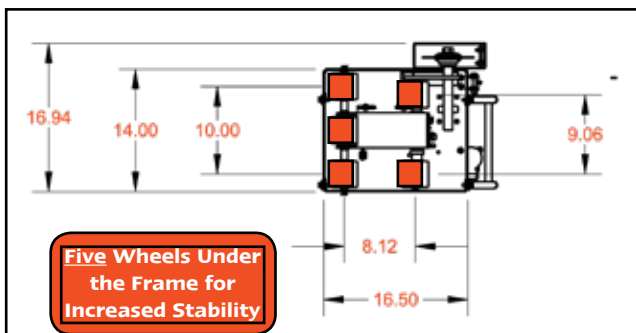
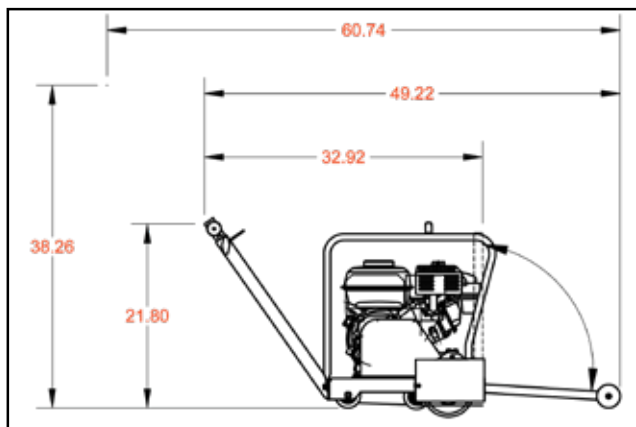
Horsepower and torque as rated by the engine manufacturer.

CC1100XL Saw

CC150XL-EE FIRST-CUT™ SAW



Telescoping handle adjusts to operator's height



Includes vacuum attachment guard plate

Spring loaded skid plate that keeps it down on the surface to help prevent spalling

Up-cut design

6" Blade Capacity

Gasoline

Electric

FEATURES

- Reliable skid plate system for green concrete
- Heavy duty design but light weight enough for two people to lift
- Fully adjustable handle bars for operator comfort
- Cyclone air filter for increased air flow
- Up-cut design to keep debris from going back in the cut
- Blade raise/lower mechanical mechanism with spring loaded release
- Single ribbed drive belt

SPECIFICATIONS

Max. Depth of Cut	1-3/16" with 6" diameter blade
Blade Shaft RPM	4020
Blade Shaft Diameter	1-1/4"
Arbor Size	1"
Depth Indicator	Standard

CC150XL-EE EARLY ENTRY SAW

Model #	Engine Make/Model	Engine Power	Part #	Cat #	Product Weight (lbs)	LIST PRICE
CC125BXL-EE6	Baldor Electric	2.5 HP	5801357	07789	120	\$3,750
CC148HXL-EE6	Honda® GX160	4.8 HP, 7.6 Torque (lbs.-ft.)	5801345	32739	100	\$3,077
CC165BVXL-EE6	Briggs® Vanguard	6.5 HP	5801346	32747	105	2,971
CC165LXL-EE6	Lifan® LF168F	6.5 HP	5801347	32755	100	2,865

← NEW!

Horsepower as rated by the engine manufacturer.

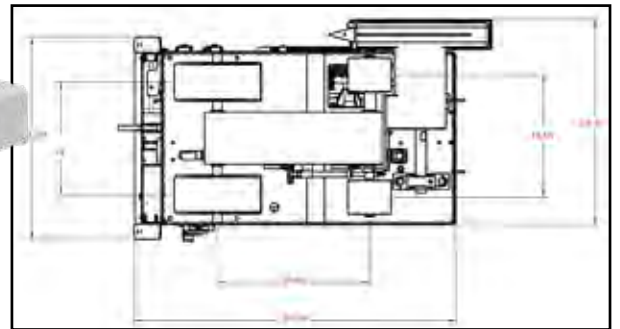
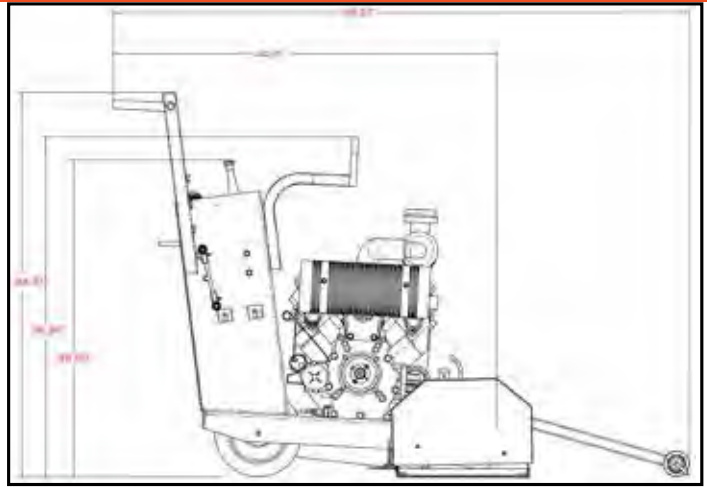
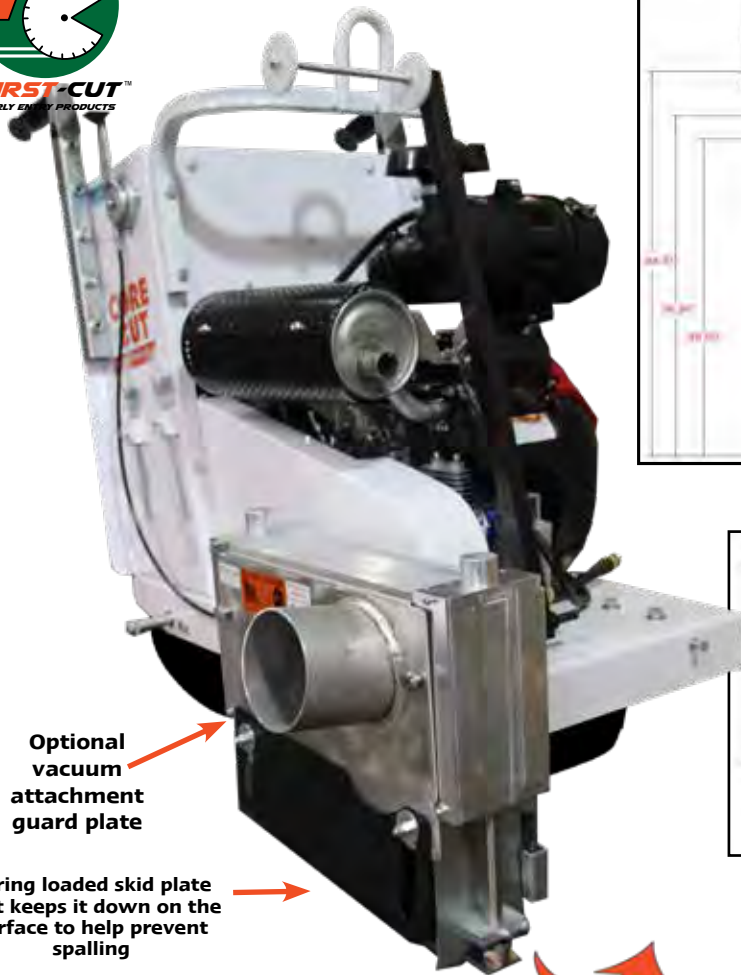
CC150XL-EE OPTIONS

Description	Part #	Cat #	List Price
Vacuum attachment guard cover	6040775	81879	\$275



MADE IN THE U.S.A.

CC150XL-EE First-Cut Saw



Use the Core Vac CV1900 Vacuum for the CC190PRO-EE saw. Includes Hoses. Used Dry Only -. See Page XXX for more information

14" Blade Capacity

Gasoline

Up-cut design

FEATURES

- Capable of .110" to .250" thick blades
- Self propelled drive
- Raise and lower adjustable handle bars
- Heavy duty handle design
- Vibration dampeners that prevent rattling that disrupts the skid plate function
- Self aligning blade shaft bearings
- Easy access to battery with heavy duty isolator switch to prevent power drain
- Up-cut design to keep debris from going back in the cut
- Lifting hook for easy transport

SPECIFICATIONS

Max. Depth of Cut	3-5/8" with 14" diameter blade
Blade Shaft RPM	3500
Blade Shaft Diameter	1-1/4"
Arbor Size	1" with single drive pin
Blade Raise/Lower	Electric actuation
Transmission	Eaton Model 6
Drive Speed	0-80 feet per minute
Includes	Electric start, low oil alert and tach/hour meter

CC190PRO-EE EARLY ENTRY SAW

Model #	Engine Make/Model	Engine Power	Part #	Cat #	Product Weight (lbs)	LIST PRICE
CC190PRO-EE	Honda® GX630	20.8 HP, 35.6 Torque (lbs.-ft)	5801128	13364	420	\$15,339

CC190PRO-EE OPTIONS

Description	Part #	Cat #	List Price
CV1900 dust containment vacuum for CC190PRO-EE with hoses - dry only	2505723	82095	\$14,400
Vacuum side cover plate for CC190PRO-EE blade block	2708358	80580	376
Vacuum adapter 3" to 5" (manifold assembly 1" - 3" port)	2504846	82102	205
Spot Light Kit	6047720	78751	150



MADE IN THE U.S.A.

Horsepower as rated by the engine manufacturer.



CCE0900 PORTABLE SAW



20" Blade Capacity

Gasoline

FEATURES

- Heavy duty design, but light weight enough for two people to lift
- Cyclone air filter
- Easy to read built-in depth indicator
- Precision dial screw feed raise and lower handle
- Poly V-Belts
- Water tank* and lifting bale included

** For dust suppression when dry cutting.

CCE0900 SPECIFICATIONS

Max. Depth of Cut	7-5/8"
Blade Shaft RPM	2600
Blade Shaft Diameter	1"
Arbor Size	1" with single drive pin
Blade Raise/Lower	Precision screw feed
Sawing Side	Right side only



CCE0900 Saw

CCE0900

Model #	Engine Make	Engine Power	Power Source	Part #	Cat #	Blade Capacity	Product Weight (lbs)	List Price
CCE0911H-20	Honda GX390	11.7 HP	Gas	5801613	30396	20"	275	\$2,434

Horsepower and torque as rated by the engine manufacturer.

CC1200XL PORTABLE SAW



Shown with optional water tank

Blade not included

14" & 18" Blade Capacity

Gasoline

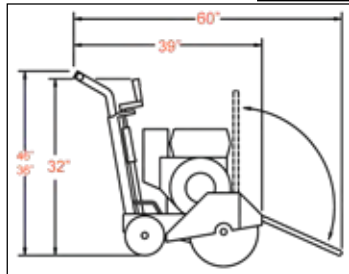
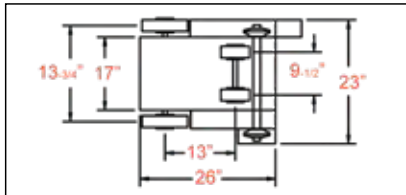
Propane

FEATURES

- Heavy duty design, but light weight enough for two people to lift
- Cyclone air filter (Honda® models)
- Easy to read built-in depth indicator
- Dial screw feed raise and lower handle
- Adjustable heavy duty handles do not rattle like competitor handles
- Left or right hand sawing
- Poly V-Belts
- Water tank and lifting bale (tank optional-for dust suppression)

SPECIFICATIONS

Max. Depth of Cut with 14" Blade	4-5/8"
Max. Depth of Cut with 18" Blade	6-5/8"
Blade Shaft RPM	2600
Blade Shaft Diameter	1-1/4"
Arbor Size	1" with single drive pin
Blade Mounting	Right or left
Blade Raise/Lower	Precision screw feed
Depth Indicator	Standard



Heavy duty built-in depth indicator within easy view during operation allows quick measuring of the blade depth.



CC1200XL SMALL WALK BEHIND SAW

Saw Model #	Engine/Motor Make	Engine/Motor Model	Engine/Motor Power	Power Source	Blade Capacity	Part #	Cat #	Product Weight (lbs)	List Price
CC1208HXL-14	Honda®	GX270	8.5 HP, 14.1 Torque (lbs.-ft.)	Gas	14"	5801092	32360	245	\$2,950
CC1211HXL-14	Honda®	GX390	11.7 HP, 19.5 Torque (lbs.-ft.)	Gas	14"	5801093	32363	271	3,074
CC1213BXL-14	Briggs® ♦	2100	420cc, 21 Torque (lbs.-ft.)	Gas	14"	5801094	32365	275	2,433
CC1208HXL-18	Honda®	GX270	8.5 HP, 14.1 Torque (lbs.-ft.)	Gas	18"	5801095	32424	256	2,953
CC1209LXL-18	Lifan®	LF177F	9 HP	Gas	18"	5801096	32438	235	2,312
CC1211HXL-18	Honda®	GX390	11.7 HP, 19.5 Torque (lbs.-ft.)	Gas	18"	5801097	32453	294	3,087
CC1213BXL-18	Briggs® ♦	2100	420cc, 21 Torque (lbs.-ft.)	Gas	18"	5801098	32454	290	2,511
CC1215LXL-18	Lifan®	LF190F	15 HP	Gas	18"	5801099	32482	280	2,511

♦ Briggs 2100 Series models include a Diamond Products 3-year extended warranty. Horsepower and Torque as rated by the engine manufacturer.

CC1200XL OPTIONS

Description	Part #	Cat #	List Price
7 1/2 gallon water tank with 5/8" hose (includes tank, petcock, hose, coupler and bungee style tie-down)**	6049047	25948	\$131
Lift frame kit for older (pre-2011 models)-Standard on all new saws	6047309	39744	378
Propane conversion kit for 8.5 HP Honda® (4.7 gallon tank, horizontal vapor) + [order with Part # 2502503]	6040321	10155	3,172
Propane conversion kit for 11.7 HP Honda® (4.7 gallon tank, horizontal vapor) + [order with Part # 6043551]	6040322	10156	3,172
Extra slip-on blade guard 14"	6016001	92016	386
Extra slip-on blade guard 18"	6016000	92017	434

** For dust suppression when dry cutting.

+ Propane conversion kits include the following: conversion to dual fuel, safety fuel lock, liquid propane fuel tanks with float gauge and safety check connector. **Extra lead time is required for fitting propane fuel options.**

Horsepower and torque as rated by the engine manufacturer.



CC1300XL SMALL WALK BEHIND SAW



Shown with optional water tank & bracket kit

CC1311HXL-20
blade not included



Heavy duty adjustable handles and precision screw feed raise and lower



CC1310E3XL-20
blade not included

Electric models are suitable where exhaust fumes are not allowed

CC1300XL SAW

14"-20" Blade Capacity

Gasoline

Electric

Hydraulic

Propane

FEATURES

- Heavy duty frame design
- Cyclone air filter (Honda® models)
- Easy to maneuver push drive
- Four position heavy duty handles offer no slack and don't rattle like other adjustable handles
- Through rear axle for added strength
- Solid sealed and self aligning blade shaft bearings
- Slip-on blade guard for easy blade access
- Three V-belts for extra power delivery to the blade shaft
- Left or right side sawing
- Optional water tank available for dust suppression

SPECIFICATIONS

Max. Depth of Cut with 14" Blade	4-5/8"
Max. Depth of Cut with 18" Blade	6-5/8"
Max. Depth of Cut with 20" Blade	7-5/8"
Blade Shaft RPM	2600
Blade Shaft Diameter	1-1/4"
Arbor Size	1" with single drive pin
Blade Mounting	Right or left
Blade Raise/Lower	Precision screw feed



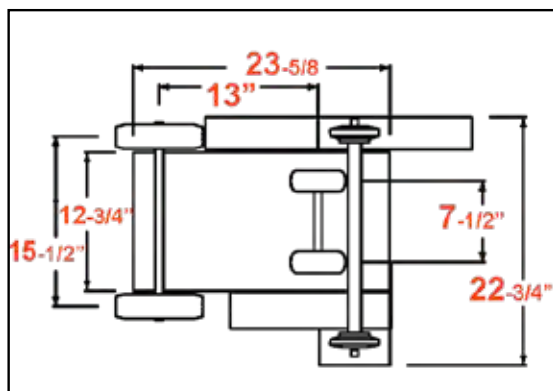
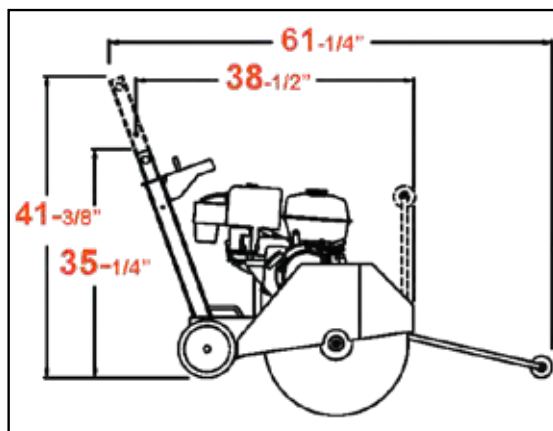
MADE IN THE U.S.A.



CC1300XL SMALL WALK BEHIND SAW

Saw Model #	Engine/Motor Make	Engine/Motor Model	Engine/Motor Power	Power Source	Blade Capacity	Part #	Cat #	Product Weight (lbs)	List Price
CC1308HXL-14	Honda®	GX270	8.5 HP, 14.1 Torque (lbs.-ft.)	Gas	14"	5800575	75066	225	\$3,788
CC1311HXL-14	Honda®	GX390	11.7 HP, 19.5 Torque (lbs.-ft.)	Gas	14"	5800576	75067	260	3,956
CC1313BXL-14	Briggs® ♦	2100	420cc, 21 Torque (lbs.-ft.)	Gas	14"	5801117	61491	265	3,167
CC1305E1XL-14	Baldor®	n/a	5 HP, 230V-1PH	Electric	14"	5800577	75068	261	4,352
CC1305E3XL-14	Baldor®	n/a	5 HP, 230V-3PH	Electric	14"	5800578A	99977	275	4,542
CC1305E3XL-14	Baldor®	n/a	5 HP, 480V-3PH	Electric	14"	5800578B	26493	275	4,542
CC1311HUXL-14	Honda®	GX390 upcut	11.7 HP, 19.5 Torque (lbs.-ft.)	Gas	14"	5800871	27131	350	4,569
CC1313BUXL-14	Briggs® ♦	2100 upcut	420cc, 21 Torque (lbs.-ft.)	Gas	14"	5801118	61493	355	3,653
CC1308HXL-18	Honda®	GX270	8.5 HP, 14.1 Torque (lbs.-ft.)	Gas	18"	5800579	75070	225	3,865
CC1311HXL-18	Honda®	GX390	11.7 HP, 19.5 Torque (lbs.-ft.)	Gas	18"	5800571	69995	260	4,044
CC1313BXL-18	Briggs® ♦	2100	420cc, 21 Torque (lbs.-ft.)	Gas	18"	5801116	61494	265	3,233
CC1305E1XL-18	Baldor®	n/a	5 HP, 230V-1PH	Electric	18"	5800580	75071	280	4,397
CC1305E3XL-18	Baldor®	n/a	5 HP, 230V-3PH	Electric	18"	5800581A	93652	245	4,598
CC1305E3XL-18	Baldor®	n/a	5 HP, 480V-3PH	Electric	18"	5800581B	97080	245	4,598
CC1311HUXL-18	Honda®	GX390 upcut	11.7 HP, 19.5 Torque (lbs.-ft.)	Gas	18"	5800872	26751	350	4,638
CC1313BUXL-18	Briggs® ♦	2100 upcut	420cc, 21 Torque (lbs.-ft.)	Gas	18"	5801119	61496	355	3,712
CC1310E3XL-20	Baldor®	n/a	10 HP, 230V-3PH	Electric	20"	5800589A	93810	315	6,370
CC1310E3XL-20	Baldor®	n/a	10 HP, 460V-3PH	Electric	20"	5800589B	93220	340	6,370
CC1310E3XL-20	Baldor®	n/a	10 HP, 230V/460V-3PH	Electric	20"	5800985	57763	335	7,422
CC1311HXL-20	Honda®	GX390	11.7 HP, 19.5 Torque (lbs.-ft.)	Gas	20"	5800723	21855	365	4,100
CC1313HYXL-20	Danfoss®	n/a	15 GPM	Hydraulic	20"	5800724A	37387	230	5,771
CC1313HYXL-20	Danfoss®	n/a	20 GPM	Hydraulic	20"	5800724B	50852	230	5,771
CC1313HYXL-20	Danfoss®	n/a	25 GPM	Hydraulic	20"	5800724C	37388	230	5,771

♦ Briggs 2100 Series models include a Diamond Products 3-year extended warranty. Horsepower and Torque as rated by the engine manufacturer.



CC1300XL OPTIONS

Description	Part #	Cat #	List Price
Water Tank Kit with 5/8" hose (5 gal.)** - includes water tank bracket	6049050	36252	\$234
Extended Blade Shaft Kit (up to 1" spacing)	6048107	48388	54
Catalytic Muffler for 11HP Honda®	2501567	78637	1,195
Propane Conversion Kit for 8.5 HP Honda® (4.7 gallon tank, horizontal vapor)+ [must also order with Part # 6048940]	6040321	10155	3,172
Propane Conversion Kit for 11.7 HP Honda® (4.7 gallon tank, horizontal vapor)+ [must also order with Part # 6048940]	6040322	10156	3,172
Extra Slip-on Blade Guard 14"	6048912	97088	505
Extra Slip-on Blade Guard 18"	6048910	97883	552
Extra Slip-on Blade Guard 20"	6048904	98682	685

** For dust suppression when dry cutting.

Water tank kit not available for electric saw models.

+ Propane conversion kits include the following: conversion to dual fuel, safety fuel lock, liquid propane fuel tanks with float gauge and safety check connector.



CC1500E MODULAR SAW



MADE IN THE U.S.A.



Shown with electrical plug (not included). Comes with pigtail wires and plug must be installed. See page 15 for electrical information.

CC1500E Saw

20" Blade Capacity

Electric

FEATURES

- Electric powered for areas with limited access and where exhaust fumes are not allowed
- Easy to maneuver push drive
- Motor can be removed in limited access areas to allow for a single person operation
- Lightweight aluminum frame
- Screw feed raise and lower
- Full adjustable heavy duty handle design

CC1500E SPECIFICATIONS

Max. Depth of Cut with 14" Blade	4-5/8"
Max. Depth of Cut with 18" Blade	6-1/2"
Max. Depth of Cut with 20" Blade	7-1/2"
Blade Shaft RPM	2000
Blade Shaft Diameter	1-1/4"
Arbor Size	1" with single drive pin
Blade Mounting	Right or left
Blade Raise/Lower	Precision screw feed



CC1500E MODULAR SAW								
Saw Model #	Motor Make	Motor Power	Power Source	Part #	Cat #	Blade Capacity	Product Weight (lbs.)	List Price
CC1507E3-20	Baldor®	7.5 HP 460V, 3 PH	Electric	5801500	19131	20"	185	\$9,292

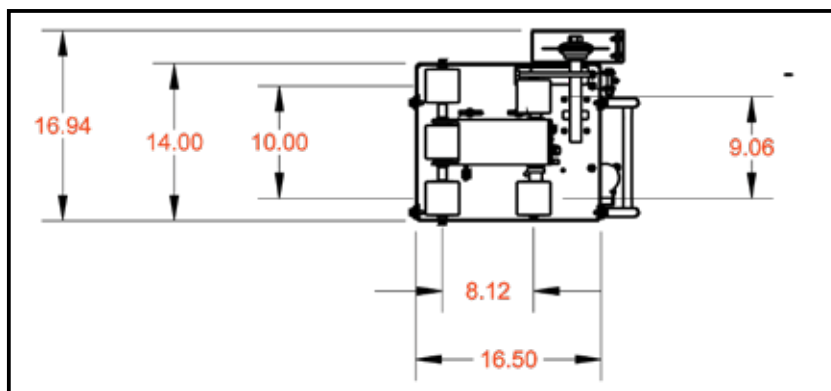
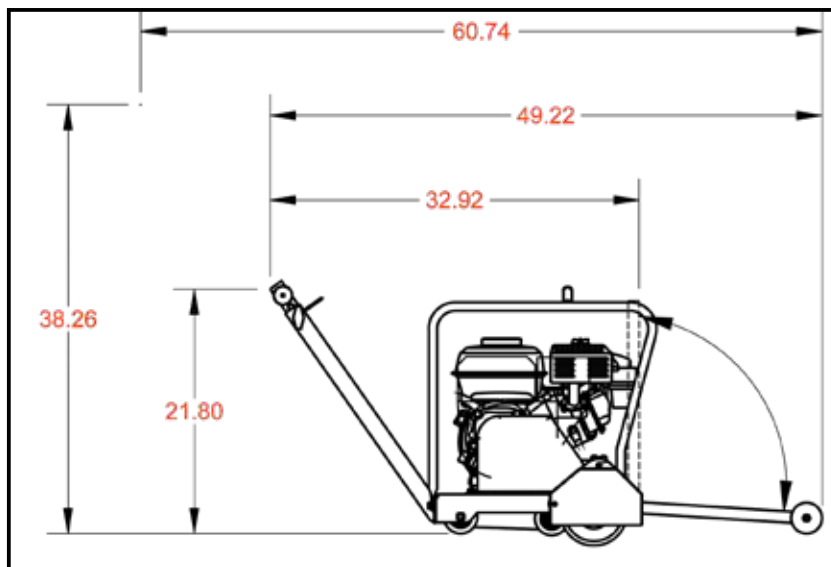
Horsepower and Torque as rated by the engine manufacturer.



Enhanced V-Belt tensioning system keeps your belts tight

CC1500E OPTIONS			
Description	Part #	Cat #	List Price
14" slip-on blade guard	6048912	97088	\$505
18" slip-on blade guard	6048910	97883	552
20" slip-on blade guard	6048904	98682	685

**Quick Motor Removal Allows Easy One Person Transportation
Lightweight Aluminum Frame and Lightest Weight Motor**



CC1500E Saw



CC1800XL MEDIUM SAW

Many Power Options to Fit Your Application



CC1823BVXL-S
with Briggs Vanguard

Blade not included



Heavy duty handle design

CC1800XL control panel with screw feed, ignition switch, adjustable handles and hour meter. Handles have two sets of grips that can be positioned outward or inward (as shown).



CC1820HXL-S with Honda*

Blade not included



MADE IN THE U.S.A.

14"-20" Blade Capacity

Gasoline

Electric

Hydraulic

Propane

FEATURES

- Electric start option on Honda and Briggs Vanguard models
- Pull start backup on Briggs Vanguard models
- Push or self propelled models
- Easy access to battery with heavy duty isolator switch to prevent battery drain
- Screw feed raise and lower
- Lifting hook standard on all models
- Self aligning blade shaft bearings

SPECIFICATIONS

Max. Depth of Cut with 14" Blade	4-5/8"
Max. Depth of Cut with 18" Blade	6-5/8"
Max. Depth of Cut with 20" Blade	7-5/8"
Blade Shaft RPM	2600
Blade Shaft Diameter	1-1/4"
Arbor Size	1" with single drive pin
Blade Shaft Drive	3 belts on 11.7HP, 4 belts on other models
Blade Mounting	Right or Left
Transmission	Eaton Model 6
Drive Speed	0-80 feet per minute
Fuel Capacity (gas models)	2 gallon
Wheel Dimensions	5" x 1-1/2" x 3/4" (Front) 6" x 1-1/2" x 5/8" (Back)
Includes	Electric start (18-23HP), Low Oil Alert, Tach/hour meter (18-23 HP)



CC1800XL MEDIUM WALK BEHIND SAW-PUSH MODELS

Model #	Engine/Motor Make/Model	Engine/Motor Power	Power Source	Part # with 14" Guard	Cat # with 14" Guard	14" Capacity List Price	Part # with 20" Guard	Cat # with 20" Guard	20" Capacity List Price	Product Weight (lbs.)
CC1875E1XL-P	Baldor®	7.5 HP, 230V-1PH	Electric	5800628	54480	\$6,947	5800629	54490	\$7,079	395
CC1810E3XL-P	Baldor®	10 HP, 230V-3PH	Electric	5800692A	54485	6,932	5800693A	54497	7,064	420
CC1810E3XL-P	Baldor®	10 HP, 460V-3PH	Electric	5800692B	54565	6,932	5800693B	54580	7,064	425
CC1810E3XL-P	Baldor®	10 HP, 575V-3PH	Electric	5800692C	54568	6,932	5800693C	54581	7,064	430
CC1811HXL-P	Honda® GX390 Gas	11.7 HP, 19.5 Torque (lbs.-ft.)	Gas	5800694	54486	4,284	5800695	54498	4,380	310
CC1811HEXL-P	Honda® GX390 Gas ▶	11.7 HP, 19.5 Torque (lbs.-ft.)	Gas	5802258	27946	5,349	5802259	17244	5,439	280
CC1813BXL-P	Briggs® 2100 Series ◊	420cc, 21 Torque (lbs.-ft.)	Gas	5801114	61230	3,505	5801115	61234	3,582	285
CC1816BVXL-P	Briggs® Vanguard ◻	16 HP	Gas	5800696	54487	5,137	5800697	54505	5,191	335
CC1818HYXL-P	Danfoss®	15 gpm	Hydraulic	5800698A	54489	4,897	5800699A	54506	4,998	300
CC1818HYXL-P	Danfoss®	20 gpm	Hydraulic	5800698B	54571	4,897	5800699B	54582	4,998	300
CC1818HYXL-P	Danfoss®	25 gpm	Hydraulic	5800698C	54579	4,897	5800699C	54593	4,998	300

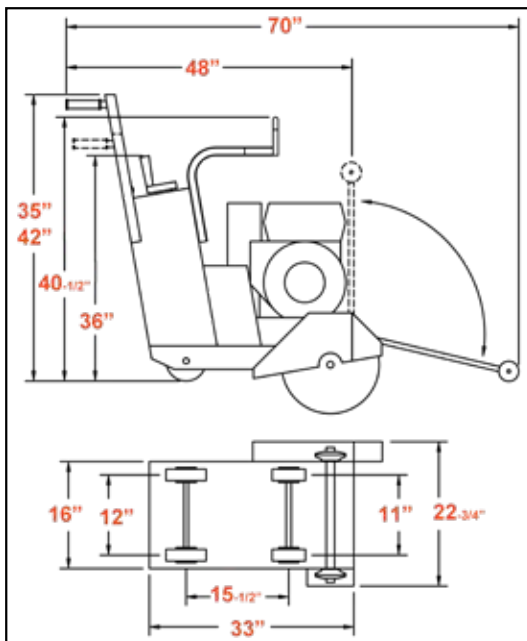
CC1800XL MEDIUM WALK BEHIND SAW-SELF-PROPELLED MODELS

CC1875E1XL-S	Baldor®	7.5 HP, 230V-1PH	Electric	5800736	54507	\$8,392	5800737	54539	\$8,527	450
CC1810E3XL-S	Baldor®	10 HP, 230V-3PH	Electric	5800738A	54508	8,377	5800739A	54540	8,507	460
CC1810E3XL-S	Baldor®	10 HP, 460V-3PH	Electric	5800738B	54596	8,377	5800739B	54600	8,507	380
CC1810E3XL-S	Baldor®	10 HP, 575V-3PH	Electric	5800738C	54597	8,377	5800739C	54601	8,507	380
CC1811HXL-S	Honda® GX390 Gas	11.7 HP, 19.5 Torque (lbs.-ft.)	Gas	5800643	54536	5,525	5800644	54541	5,560	380
CC1811HEXL-S	Honda® GX390 Gas ▶	11.7 HP, 19.5 Torque (lbs.-ft.)	Gas	5802260	27947	6,929	5802261	78112	7,015	395
CC1813BXL-S	Briggs® 2100 Series ◊	420cc, 21 Torque (lbs.-ft.)	Gas	5801112	61225	4,990	5801113	61226	5,068	400
CC1816BVXL-S	Briggs® Vanguard ◻	16 HP	Gas	5800645	54537	5,940	5800646	54542	6,031	380
CC1818HYXL-S	Danfoss®	15 gpm	Hydraulic	5800647A	54538	6,317	5800648A	54549	6,405	350
CC1818HYXL-S	Danfoss®	20 gpm	Hydraulic	5800647B	54598	6,317	5800648B	54604	6,405	350
CC1818HYXL-S	Danfoss®	25 gpm	Hydraulic	5800647C	54599	6,317	5800648C	54623	6,468	350
CC1820HXL-S	Honda®GX630 ▶◆	20.8 HP, 35.6 Torque (lbs.-ft.)	Gas	5800667	51234	8,117	5800668	53351	8,206	470
CC1823BVXL-S	Briggs®Vanguard ▶◆◻	23 HP	Gas	5801218	22269	7,426	5801219	22271	7,494	460

▶ Electric start ◆ Includes remote cyclone air cleaner ◻Gross horsepower at 3600 RPM per SAEJ1940

◊ Briggs 2100 Series models include a Diamond Products 3-year extended warranty-Gross horsepower at 2600 RPM per SAE J1940

Horsepower and Torque as rated by the engine manufacturer.



CC1800XL OPTIONS

Description	Part #	Cat #	List Price
Electric Water Pump (electric start engines only)	6048970	66686	\$523
Water Tank Kit* (7.5 gallon)*	6049020	70611	226
Tach/Hour Meter-Digital(displays engine RPM) ◆	2801502	36079	111
Weight Kit (26 lbs) **	6048959	66687	146
Parking Brake	6048873	66688	256
Catalytic Muffler for 11.7HP GX390 Honda® Engines	2501567	78637	1,195
Catalytic Muffler for 20.8HP GX630 Honda® Engines	2703546	68832	2,391
Extended Blade Shaft Kit for up to 1" spacing	6048107	48388	54
Propane Conversion Kit for 20.8 HP Honda® or 23 HP Briggs® (4.7 gallon tank, horizontal vapor)+	6040323	10157	3,385
Propane Conversion Kit for 11.7 HP Honda® (4.7 gallon tank, horizontal vapor)+	6040322	10156	3,172
14" Slip-on Blade Guard	6048912	97088	505
20" Slip-On Blade Guard	6048904	98682	685

* For dust suppression when dry cutting only-not available on electric saws.

◆ Standard on all 18HP and 23HP models.

** Standard on all electric saws with 20" blade capacity and saws over 15HP.

+ Propane conversion kits include the following: conversion to dual fuel, safety fuel lock, liquid propane fuel tanks with float gauge and safety check connector.



CC2500 MEDIUM WALK BEHIND SAW

Delivers the Power of a Large Saw in a Compact Frame



CC2500 control panel shown with optional raise/lower control switch

CE
Certified



MADE IN THE U.S.A.

Blade not included

14"-26" Blade Capacity

Gasoline

Electric

Hydraulic

Propane

FEATURES

- Rigid high strength 3/16" steel box frame with heavy bar reinforcement
- Two position tilt handle bars
- Four power options offer versatility and convenience
- Push or self propelled drive
- Screw feed raise and lower with optional power raise and lower
- Cyclone air filter on gas models
- Positive gear drive to rear axle via Eaton hydrostatic transmission

SPECIFICATIONS

Max. Depth of Cut with 14" Blade	4-5/8"
Max. Depth of Cut with 20" Blade	7-3/8"
Max. Depth of Cut with 26" Blade	10-3/8"
Blade Shaft RPM	Varies
Blade Shaft Diameter	1-1/2"
Arbor Size	1" with single drive pin
Blade Shaft Drive	4 belts on 20.8HP, 5 belts on 25HP
Blade Mounting	Right or Left
Transmission	Eaton Model 6
Drive Speed	0-130 feet per minute
Fuel Capacity (gas models)	5 gallon
Includes	Electric start (20-25HP), Low Oil Alert, Tach/hour meter (20-25 HP), Frame lift, Cutting depth indicator, Quick disconnect blade flanges, Telescoping front pointer

CC2500 MEDIUM WALK BEHIND SAW



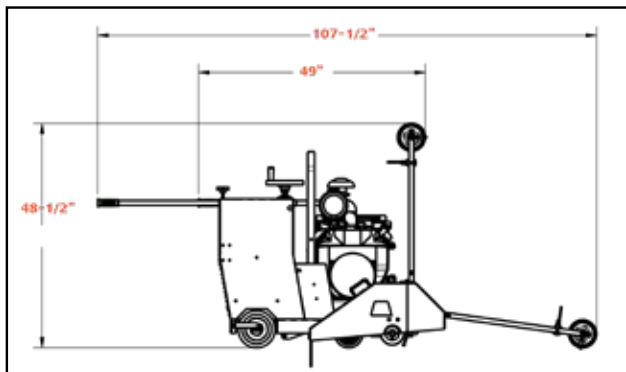
CC2500 MEDIUM WALK BEHIND SAW								
Model #	Engine/Motor Make/Model	Engine/Motor Power	Power Source	Part #	Cat #	Blade Capacity	Product Weight (lbs.)	List Price
CC2515E3-14	Leeson®	15 HP, 230V-3PH	Electric	5800400A	48413	14"	700	\$10,968
CC2515E3-14	Leeson®	15 HP, 460V-3PH	Electric	5800400B	99980	14"	700	10,968
CC2515E3-20	Leeson®	15 HP, 230V-3PH	Electric	5800401A	98001	20"	670	11,069
CC2515E3-20	Leeson®	15 HP, 460V-3PH	Electric	5800401B	93694	20"	660	11,069
CC2515E3-26	Leeson®	15 HP, 230V-3PH	Electric	5800402A	94379	26"	705	11,354
CC2515E3-26	Leeson®	15 HP, 460V-3PH	Electric	5800402B	94409	26"	720	11,354
CC2520H-14	Honda® GX630** ♦	20.8 HP, 35.6 Torque (lbs.-ft.)	Gas	5800406	48418	14"	600	11,420
CC2520H-20	Honda® GX630** ♦	20.8 HP, 35.6 Torque (lbs.-ft.)	Gas	5800407	47164	20"	669	11,528
CC2520H-26	Honda® GX630** ♦	20.8 HP, 35.6 Torque (lbs.-ft.)	Gas	5800408	48419	26"	670	11,783
CC2522H-14	Honda® GX690** ♦	22.1 HP, 35.6 Torque (lbs.-ft.)	Gas	5801520	29637	14"	610	12,659
CC2522H-20	Honda® GX690** ♦	22.1 HP, 35.6 Torque (lbs.-ft.)	Gas	5801521	29638	20"	620	12,749
CC2522H-26	Honda® GX690** ♦	22.1 HP, 35.6 Torque (lbs.-ft.)	Gas	5801522	34013	26"	685	13,014
CC2525HY-14	Webster® ♦	25 HP-25 GPM @ 2000 PSI	Hydraulic	5800489	48426	14"	610	9,349
CC2525HY-20	Webster® ♦	25 HP-25 GPM @ 2000 PSI	Hydraulic	5800490	48427	20"	625	9,439
CC2525HY-26	Webster® ♦	25 HP-25 GPM @ 2000 PSI	Hydraulic	5800491	48428	26"	650	9,705
CC2525KC-14	Kohler® Command CH742** ♦	25 HP, 41.2 Torque (lbs.-ft.)	Gas	5800597	79036	14"	645	13,302
CC2525KC-20	Kohler® Command CH742** ♦	25 HP, 41.2 Torque (lbs.-ft.)	Gas	5800598	79037	20"	650	13,395
CC2525KC-26	Kohler® Command CH742** + ♦	25 HP, 41.2 Torque (lbs.-ft.)	Gas	5800599	78816	26"	665	13,659

50 cycle motors available on request. (motor starter switch box included).

** Includes remote cyclone air cleaner. + Right hand sawing only on this 26" model. ♦ Electric start.

Horsepower and torque as rated by the engine manufacturer.

CC2500 BLADE GUARDS			
Description	Part #	Cat #	List Price
14" Tapered Mount Blade Guard	6010950	20011	\$467
20" Tapered Mount Blade Guard	6010952	08213	693
26" Tapered Mount Blade Guard	6010954	19322	894



CC2500 OPTIONS			
Description	Part #	Cat #	List Price
Water Safety Switch ♦	6047932	47451	\$173
Water Safety Switch (for saws with newer GX630/660/690 Honda engines)	6041358	58340	187
Water Pump (electric) ♦	6047933	48432	520
Spot Light ♦	6047934	48433	192
Electric Raise/Lower Assembly for Gas Saw	6047967	48002	923
Electric Raise/Lower Assembly for Electric Saw *	6047970	47467	2,236
Electric Raise/Lower Assembly for Hydraulic Saw *	6047980	52974	2,236
Hydraulic Raise/Lower Assembly for Gas Saw	6047997	78817	1,464
Hydraulic Raise/Lower Assembly for Electric Saw *	6047998	79041	2,607
Hydraulic Raise/Lower Assembly for Hydraulic Saw *	6047999	79042	2,607
Catalytic Muffler for Honda GX630, GX660 & GX690	2504587	61953	2,186
Blade stacking kit-5" flange (for blades 1-1/2" apart)	6010630B	25424	960
Blade spacing kit-5" flange (for blades 2" apart)	6010631B	25426	1,011
Blade spacing kit-5" flange (for blades 4" apart)	6010632B	23197	1,195
Propane Conversion Kit for 22.2 HP Honda (4.7 gallon tank, horizontal vapor) +	6040376	61955	3,455
Propane Conversion Kit for 20.8 HP Honda (4.7 gallon tank, horizontal vapor) +	6040324	10158	3,337

♦ Not available on electric saw models (CC2515E) or hydraulic saw models (CC2525HY) without Power Raise/Lower Assembly.

* Includes battery and alternator.

+ Propane conversion kits include the following: conversion to dual fuel, safety fuel lock, liquid propane fuel tanks with float gauge and safety check connector.

CC2500 Saw



CC3500 JACKSHAFT SAW

Ideal for Municipalities
and Rental Stores!



Blade not included



CC3500 Control Panel
Shown with Optional Shaft Tachometer.



MADE IN THE
U.S.A.

CC3500 SAW

14"-30" Blade Capacity

Gasoline

Electric

FEATURES

- Great mid-size saw for service, utility work and rental
- Jack shaft allows full engine power
- Easy to maneuver self propelled drive
- Engine adjustment mechanism for belt tightening and maintenance
- Strongest frame on the market
- 30% more torque with new jack shaft design (on gas models)
- Fits through a 30" door frame



DC Travel
option to allow
movement of
the saw when
the saw is
unplugged.

SPECIFICATIONS

Max. Depth of Cut with 14" Blade	4-3/8"
Max. Depth of Cut with 20" Blade	7-3/8"
Max. Depth of Cut with 26" Blade	10-3/8"
Max. Depth of Cut with 30" Blade	12-3/8"
Blade Shaft Diameter	1-3/4"
Arbor Size	1" with single drive pin
Blade Shaft Drive	6 belts
Blade Mounting	Right or Left
Blade Raise/Lower	Electro-hydraulic pump
Transmission	Eaton Model 10
Drive Speed	0-200 feet per minute
Air Filter	4-stage
Fuel Capacity (gas models)	6 gallon
Includes	Hour meter, Frame lift, Cutting depth indicator, Quick disconnect blade flanges, Telescoping front pointer



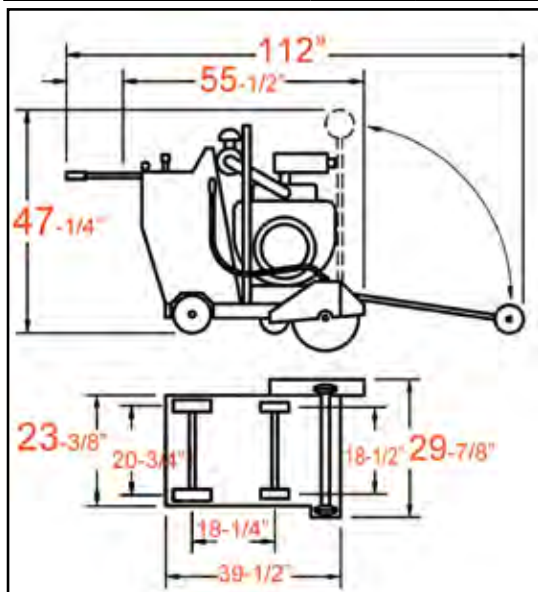
CC3500 WALK BEHIND SAW

Model #	Engine/Motor Make/Model	Engine/Motor Power	Power Source	Part #	Cat #	Blade Capacity	Product Weight (lbs.)	List Price
CC3535JBV-14	Briggs & Stratton® Vanguard □	35 HP	Gas	5801305	25324	14"	950	\$17,633
CC3535JBV-20	Briggs & Stratton® Vanguard □	35 HP	Gas	5801306	25330	20"	1,000	17,712
CC3535JBV-26	Briggs & Stratton® Vanguard □	35 HP	Gas	5801307	25331	26"	1,030	17,737
CC3535JBV-30	Briggs & Stratton® Vanguard □	35 HP	Gas	5801308	25337	30"	1,065	17,943
CC3537JK-14	Kohler® Command CH1000	37 HP (55.3 torque)	Gas	5801301	25315	14"	950	20,513
CC3537JK-20	Kohler® Command CH1000	37 HP (55.3 torque)	Gas	5801302	25319	20"	960	20,582
CC3537JK-26	Kohler® Command CH1000	37 HP (55.3 torque)	Gas	5801303	25320	26"	1,020	20,666
CC3537JK-30	Kohler® Command CH1000	37 HP (55.3 torque)	Gas	5801304	25322	30"	1,040	20,735
CC3520E3-14	Baldor®	20 HP, 230V-3PH	Electric	5800784A	50442	14"	1,005	18,235
CC3520E3-14	Baldor®	20 HP, 460V-3PH	Electric	5800784B	03729	14"	1,005	18,235
CC3520E3-14	Baldor®	20 HP, 575V-3PH	Electric	5800784C	03730	14"	1,005	18,235
CC3520E3-20	Baldor®	20 HP, 230V-3PH	Electric	5800785A	50443	20"	1,070	18,330
CC3520E3-20	Baldor®	20 HP, 460V-3PH	Electric	5800785B	57116	20"	1,060	18,330
CC3520E3-20	Baldor®	20 HP, 575V-3PH	Electric	5800785C	03733	20"	1,015	18,330
CC3520E3-26	Baldor®	20 HP, 230V-3PH	Electric	5800786A	50444	26"	1,025	18,519
CC3520E3-26	Baldor®	20 HP, 460V-3PH	Electric	5800786B	51919	26"	1,025	18,519
CC3520E3-26	Baldor®	20 HP, 575V-3PH	Electric	5800786C	03739	26"	1,025	18,519
CC3520E3-30	Baldor®	20 HP, 230V-3PH	Electric	5800787A	50446	30"	1,070	18,705
CC3520E3-30	Baldor®	20 HP, 460V-3PH	Electric	5800787B	68486	30"	1,035	18,705
CC3520E3-30	Baldor®	20 HP, 575V-3PH	Electric	5800787C	03743	30"	1,035	18,705
CC3530E3-14	Leeson	30HP, 460V - 3PH	Electric	5800788A	50439	14"	1,010	19,309
CC3530E3-14	Leeson	30HP, 575V - 3PH	Electric	5800788B	46558	14"	1,010	19,309
CC3530E3-20	Leeson	30HP, 460V - 3PH	Electric	5800789A	50440	20"	1,060	19,401
CC3530E3-20	Leeson	30HP, 575V - 3PH	Electric	5800789B	46559	20"	1,060	19,401
CC3530E3-26	Leeson	30HP, 460V - 3PH	Electric	5800790A	50392	26"	1,095	19,588
CC3530E3-26	Leeson	30HP, 575V - 3PH	Electric	5800790B	76420	26"	1,095	19,588
CC3530E3-30	Leeson	30HP, 460V - 3PH	Electric	5800791A	50441	30"	1,140	19,780
CC3530E3-30	Leeson	30HP, 575V - 3PH	Electric	5800791B	62313	30"	1,140	19,780

□ Gross horsepower at 3600 RPM per SAEJ1940. Horsepower and Torque as rated by the engine manufacturer.

CC3500 BLADE GUARDS

Description	Part #	Cat #	List Price
14" Tapered Mount Blade Guard	6010950	20011	\$467
20" Tapered Mount Blade Guard	6010952	08213	693
26" Tapered Mount Blade Guard	6010954	19322	894
30" Tapered Mount Blade Guard	6010956	20456	1,103



CC3500 OPTIONS

Description	Part #	Cat #	List Price
Water Safety Switch	6047932	47451	\$173
Water Pump (electric)	6011032	02506	520
Parking Brake	6011228	81191	434
Spot Light	6010112	02427	192
Shaft Tachometer	6011384	28315	788
Spot Light Kit for Soft Start Electric Models	6012182	27477	284
Blade spacing kit-5" flange (for blades 1-1/2" apart)	6010630B	25424	960
Blade spacing kit-5" flange (for blades 2" apart)	6010631B	25426	1,011
Blade spacing kit-5" flange (for blades 4" apart)	6010632B	23197	1,195
Lowering Speed Metering Valve	6010227	02480	305
Soft Start Controller Add On for 230/460 volt**	6011449A	14278	4,624
Soft Start Controller Add On for 575 volt**	6011449B	14279	4,624
DC Travel 230/460V for saws without soft start**	6011621	98161	2,782
DC Travel 230/460V for saw with soft start**	6011624	33629	3,325

** For electric saws-factory installed only.

575V or 50 cycle motors available on request. (motor starter switch box included). Quick-release Blades/Flange, Slip-on Blade Guards and Double Concave Roller Bearing are standard on all CC3500 models.



CC3700E ELECTRIC SAW

Powerful Multi-Application Saw

*With blade guard removed



DC Travel option to allow movement of the saw when the saw is unplugged.

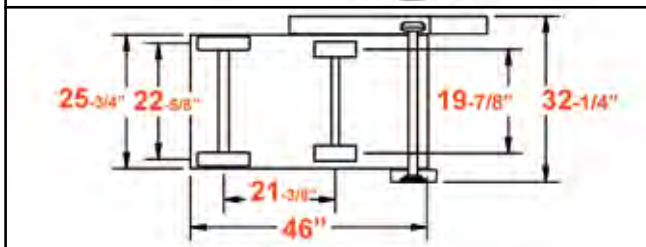
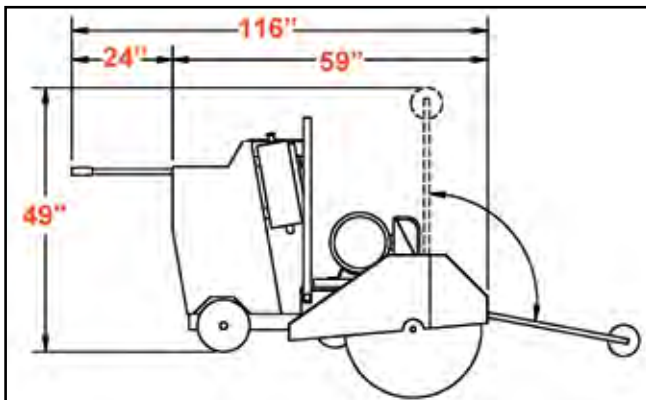
14"–42" Blade Capacity

Electric

Blade sold separately

FEATURES

- Frame designed for higher torque from high horsepower engines
- Forward position motor for more weight at the blade and less on the operator
- Self propelled
- Single or three speed models
- Front pivot allows easy turning
- Multi-function control handle



SPECIFICATIONS

Max. Depth of Cut with 14" Blade	4-1/2"
Max. Depth of Cut with 20" Blade	7-1/2"
Max. Depth of Cut with 26" Blade	10-1/2"
Max. Depth of Cut with 30" Blade	11-3/4"
Max. Depth of Cut with 36" Blade	14-3/4"
Max. Depth of Cut with 42" Blade	17-3/4"
Blade Shaft Diameter	1-3/4"
Arbor Size	1" with single drive pin
Blade Shaft Drive	8 belts
Blade Mounting	Right or Left
Blade Raise/Lower	Electro-hydraulic pump
Transmission	Eaton Model 10
Drive Speed	0-200 feet per minute
Includes	Electric start, Hour meter, Frame lift, Cutting depth indicator, Quick disconnect blade flanges, Telescoping front pointer



CC3700E Starter Box

Large electric saws feature an electric motor controller/starter and a 2" emergency stop button within easy reach of the operator.

CC3700E Saw

CC3700E ELECTRIC WALK BEHIND SAW

Model #	Motor Make	Motor Power	Power Source	Speed	Part #	Cat #	Blade Capacity	Product Weight (lbs.)	List Price
CC3725E3-14	Leeson®	25 HP, 230V-3PH	Electric	Single	5800445A	14306	14"	1,385	\$19,307
CC3725E3-14	Leeson®	25 HP, 460V-3PH	Electric	Single	5800445B	03765	14"	1,385	19,307
CC3725E3-14	Leeson®	25 HP, 575V-3PH	Electric	Single	5800445C	03781	14"	1,385	19,307
CC3725E3-20	Leeson®	25 HP, 230V-3PH	Electric	Single	5800446A	07869	20"	1,395	19,486
CC3725E3-20	Leeson®	25 HP, 460V-3PH	Electric	Single	5800446B	07870	20"	1,395	19,486
CC3725E3-20	Leeson®	25 HP, 575V-3PH	Electric	Single	5800446C	07878	20"	1,395	19,486
CC3725E3-26	Leeson®	25 HP, 230V-3PH	Electric	Single	5800447A	03782	26"	1,330	19,762
CC3725E3-26	Leeson®	25 HP, 460V-3PH	Electric	Single	5800447B	97597	26"	1,405	19,762
CC3725E3-26	Leeson®	25 HP, 575V-3PH	Electric	Single	5800447C	03783	26"	1,405	19,762
CC3725E3-30	Leeson®	25 HP, 230V-3PH	Electric	Single	5800448A	32087	30"	1,415	20,055
CC3725E3-30	Leeson®	25 HP, 460V-3PH	Electric	Single	5800448B	03797	30"	1,415	20,055
CC3725E3-30	Leeson®	25 HP, 575V-3PH	Electric	Single	5800448C	03805	30"	1,415	20,055
CC3725E3-36	Leeson®	25 HP, 230V-3PH	Electric	Single	5800449A	07716	36"	1,425	20,313
CC3725E3-36	Leeson®	25 HP, 460V-3PH	Electric	Single	5800449B	03811	36"	1,425	20,313
CC3725E3-36	Leeson®	25 HP, 575V-3PH	Electric	Single	5800449C	03829	36"	1,425	20,313
CC3730E3-14	Baldor®	30 HP, 460V - 3PH	Electric	Single	5800381A	14300	14"	1,435	20,019
CC3730E3-20	Baldor®	30 HP, 460V - 3PH	Electric	Single	5800382A	97788	20"	1,325	20,195
CC3730E3-26	Baldor®	30 HP, 460V - 3PH	Electric	Single	5800383A	99455	26"	1,455	20,464
CC3730E3-30	Baldor®	30 HP, 460V - 3PH	Electric	Single	5800384A	15225	30"	1,345	20,733
CC3730E3-36	Baldor®	30 HP, 460V - 3PH	Electric	Single	5800385A	60786	36"	1,425	20,997
CC3730E3-3-14	Baldor®	30 HP, 460V - 3PH	Electric	3-Speed	5801080A	45113	14"	1,425	29,128
CC3730E3-3-14	Baldor®	30 HP, 575V - 3PH	Electric	3-Speed	5801080B	45114	14"	1,535	29,454
CC3730E3-3-20	Baldor®	30 HP, 460V - 3PH	Electric	3-Speed	5801081A	45115	20"	1,535	29,170
CC3730E3-3-20	Baldor®	30 HP, 575V - 3PH	Electric	3-Speed	5801081B	45117	20"	1,545	29,495
CC3730E3-3-26	Baldor®	30 HP, 460V - 3PH	Electric	3-Speed	5801082A	44435	26"	1,545	29,272
CC3730E3-3-26	Baldor®	30 HP, 575V - 3PH	Electric	3-Speed	5801082B	45118	26"	1,405	29,597
CC3730E3-3-30	Baldor®	30 HP, 460V - 3PH	Electric	3-Speed	5801083A	45119	30"	1,555	29,295
CC3730E3-3-30	Baldor®	30 HP, 575V - 3PH	Electric	3-Speed	5801083B	45123	30"	1,565	29,620
CC3730E3-3-36	Baldor®	30 HP, 460V - 3PH	Electric	3-Speed	5801084A	45124	36"	1,565	29,451
CC3730E3-3-36	Baldor®	30 HP, 575V - 3PH	Electric	3-Speed	5801084B	45125	36"	1,575	29,775
CC3730E3-3-42	Baldor®	30 HP, 460V - 3PH	Electric	3-Speed	5801085A	45126	42"	1,575	29,640
CC3730E3-3-42	Baldor®	30 HP, 575V - 3PH	Electric	3-Speed	5801085B	45127	42"	1,575	29,966
CC3740E3-20	Baldor®	40 HP, 460V-3PH	Electric	Single	5800436A	50871	20"	1,435	20,733
CC3740E3-26	Baldor®	40 HP, 460V-3PH	Electric	Single	5800437A	97350	26"	1,325	21,010
CC3740E3-30	Baldor®	40 HP, 460V-3PH	Electric	Single	5800438A	99107	30"	1,455	21,286
CC3740E3-36	Baldor®	40 HP, 460V-3PH	Electric	Single	5800439A	10497	36"	1,345	21,566
CC3740E3-3-14	Baldor®	40 HP, 460V-3PH	Electric	3-Speed	5801086A	45128	14"	1,425	30,020
CC3740E3-3-14	Baldor®	40 HP, 575V-3PH	Electric	3-Speed	5801086B	45129	14"	1,425	30,066
CC3740E3-3-20	Baldor®	40 HP, 460V-3PH	Electric	3-Speed	5801087A	45130	20"	1,535	29,997
CC3740E3-3-20	Baldor®	40 HP, 575V-3PH	Electric	3-Speed	5801087B	45131	20"	1,535	30,043
CC3740E3-3-26	Baldor®	40 HP, 460V-3PH	Electric	3-Speed	5801088A	45134	26"	1,545	30,165
CC3740E3-3-26	Baldor®	40 HP, 575V-3PH	Electric	3-Speed	5801088B	45135	26"	1,545	30,206
CC3740E3-3-30	Baldor®	40 HP, 460V-3PH	Electric	3-Speed	5801089A	42266	30"	1,405	30,123
CC3740E3-3-30	Baldor®	40 HP, 575V-3PH	Electric	3-Speed	5801089B	45137	30"	1,555	30,168
CC3740E3-3-36	Baldor®	40 HP, 460V-3PH	Electric	3-Speed	5801090A	44357	36"	1,565	30,343
CC3740E3-3-36	Baldor®	40 HP, 575V-3PH	Electric	3-Speed	5801090B	45138	36"	1,565	30,386
CC3740E3-3-42	Baldor®	40 HP, 460V-3PH	Electric	3-Speed	5801091A	45141	42"	1,575	30,468
CC3740E3-3-42	Baldor®	40 HP, 575V-3PH	Electric	3-Speed	5801091B	45143	42"	1,575	30,513

CC3700E OPTIONS

Description	Part #	Cat #	List Price
Water Safety Switch	6047932	47451	\$173
Water Pump (electric)	6011032	02506	520
Parking Brake	6011228	81191	434
Spot Light	6010112	02427	192
Shaft Tachometer	6012168	06788	890
Spot Light Kit for Soft Start Electric Models	6012182	27477	284
Blade spacing kit-5" flange (for blades 1-1/2" apart)	6010630A	23186	960
Blade spacing kit-5" flange (for blades 2" apart)	6010631A	23187	1,011
Blade spacing kit-5" flange (for blades 4" apart)	6010632A	16558	1,195
Lowering Speed Metering Valve	6010227	02480	305
Soft Start Controller Add On for 230/460 volt*	6012187A	14310	4,624
Soft Start Controller Add On for 575 volt**	6012187B	14311	4,624
DC Travel 230/460V for saws without soft start*	6011620	67929	2,782
DC Travel 230/460V for saws with soft start**	6011622	22427	2,841
DC Travel 230/460V for saws w/soft start alternator kit	6011623	33640	4,364

CC3700E BLADE GUARDS

Description	Part #	Cat #	List Price
14" Tapered Mount Blade Guard	6010950	20011	\$467
20" Tapered Mount Blade Guard	6010952	08213	693
26" Tapered Mount Blade Guard	6010954	19322	894
30" Tapered Mount Blade Guard	6010956	20456	1,103
36" Tapered Mount Blade Guard	6010958	13375	1,239
42" Tapered Mount Blade Guard	6010960	08216	1,400

CC3700E 3-SPEED RPM

Blade Size	Blade RPM	Gear Setting High, Med, Low	Max Cut Depth
14"	2,925	H	3-3/4"
20"	2,520	H	6-3/4"
26"	1,950	M	9-3/4"
30"	1,680	M	11-3/4"
36"	1,300	L	14-3/4"
42"	1,120	L	17-3/4"

* For electric saws-factory installed.



CC5555GK REAR PIVOT SAW

REAR-PIVOT, THREE SPEED



CC5555GK Control Panel

Detailed control panel for easy operator use. Electronic engine controls for clean running and lower operating costs.

Powered By:



MADE IN THE
U.S.A.

Blade not included

14"-36" Blade Capacity

Gasoline

FEATURES

- Kubota® liquid-cooled gasoline WG1605 LSI engine that is fully compliant with EPA regulations
- Murphy PV480, 4.3" controller display
- Easy to maneuver rear-pivot self-propelled drive
- 4-position handlebar setup (0°, 15°, 30°, 45°)
- 3-Speed gear box standard
- Pull/twist-lock for rear positraction and transmission neutral
- Quick release blade shaft & flange
- Heavy duty crated steel frame base for increased rigidity
- Square tube skeletal upright frame for improved strength
- Removable access panels for easy, access to speed routine maintenance
- Electronic depth display and stop function
- Toggle switch throttle control

SPECIFICATIONS

Max. Depth of Cut with 14" Blade	3-3/4"
Max. Depth of Cut with 20" Blade	6-3/4"
Max. Depth of Cut with 26" Blade	9-3/4"
Max. Depth of Cut with 30" Blade	11-3/4"
Max. Depth of Cut with 36" Blade	14-3/4"
Arbor Size	1" with single drive pin
Blade Shaft Drive	7 belts
Blade Mounting	Right or Left
Blade Raise/Lower	Electro-hydraulic pump
Fuel Tank	5.5 gallon with digital fuel display
Transmission	Eaton Model 7
Drive Speed	0-368 feet per minute
Includes	Blade shaft tachometer, Hour meter, Frame lift, Cutting depth indicator, Quick disconnect blade flanges, Telescoping front pointer, AGM gel battery, Removable panels



CC5555GK REAR PIVOT WALK BEHIND GAS SAW (3-Speed)

Model #	Engine/Motor Make/Model	Engine/Motor Power	Power Source	Part #	Cat #	Blade Capacity	Product Weight (lbs.)	List Price
CC5555GK-3-14	Kubota® WG1605	57 HP	Gas	5802300	84977	14"	1,390	\$37,498
CC5555GK-3-20	Kubota® WG1605	57 HP	Gas	5802301	84978	20"	1,400	37,550
CC5555GK-3-26	Kubota® WG1605	57 HP	Gas	5802302	56861	26"	1,410	37,591
CC5555GK-3-30	Kubota® WG1605	57 HP	Gas	5802303	84985	30"	1,420	37,689
CC5555GK-3-36	Kubota® WG1605	57 HP	Gas	5802304	56912	36"	1,430	37,802

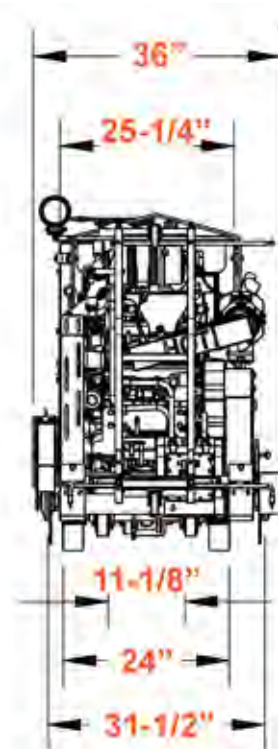
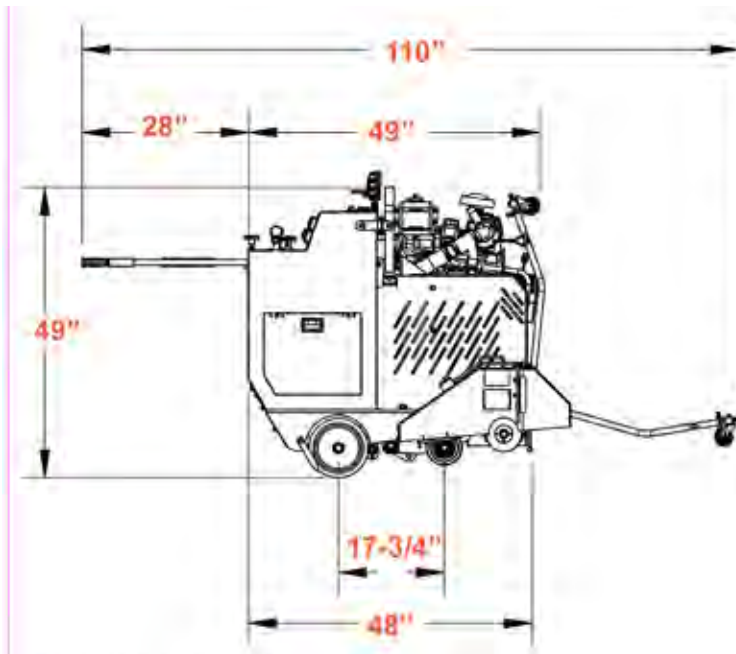
57 Hp (@ 3600 RPM) Kubota® liquid-cooled engine Horsepower and torque as rated by the engine manufacturer.

CC5555GK OPTIONS

Description	Part #	Cat #	List Price
Water Pump (electric)	6011032	02506	\$520
Spot Light	6010112	02427	192
ASO Water Flow Control Valve	6056037	04283	162
Blade spacing kit-5" flange (for blades 1-1/2" apart)	6010630A	23186	960
Blade spacing kit-5" flange (for blades 2" apart)	6010631A	23187	1,011
Blade spacing kit-5" flange (for blades 4" apart)	6010632A	16558	1,195
Lowering Speed Metering Valve	6010227	02480	305

CC5555GK BLADE GUARDS

Description	Part #	Cat #	List Price
14" Straight Mounted Blade Guard	6045424	77279	\$436
20" Straight Mounted Blade Guard	6045420	36388	790
26" Straight Mounted Blade Guard	6045421	36387	790
30" Straight Mounted Blade Guard	6056670	21487	850
36" Straight Mounted Blade Guard	6056671	25835	1,056





CC6561GK LARGE GAS SAW

Power, Reliability & Convenience



CC6561GK Control Panel

Detailed control panel for easy operator use. Electronic engine controls for clean running and lower operating costs.

Powered By:



MADE IN THE U.S.A.

Blade not included

14"-42" Blade Capacity

Gasoline

FEATURES

- Liquid-cooled Kubota® gasoline WG2503, spark ignited industrial 61HP engine that is fully compliant with EPA regulations
- Self-propelled Eaton Model 10 transmission
- Fits through a 36" door frame
- Strongest frame on the market
- Developed on an industrial diesel engine platform
- Very low noise and vibration
- Electronic fuel injection
- Modern computer engine controls (same as the CC6571D).
- 3-way catalytic muffler that meets the latest EPA & CARB emission requirements

SPECIFICATIONS

Max. Depth of Cut with 14" Blade	4-1/2" (3-3/4" 3-speed)
Max. Depth of Cut with 20" Blade	7-1/2" (6-3/4" 3-speed)
Max. Depth of Cut with 26" Blade	10-1/2" (9-3/4" 3-speed)
Max. Depth of Cut with 30" Blade	11-3/4" (11-3/4" 3-speed)
Max. Depth of Cut with 36" Blade	14-3/4" (14-3/4" 3-speed)
Max. Depth of Cut with 42" Blade	17-3/4" (17-3/4" 3-speed)
Blade Shaft Diameter	2"
Arbor Size	1" with single drive pin
Blade Shaft Drive	10 belts
Blade Mounting	Right or Left
Blade Raise/Lower	Electro-hydraulic pump
Transmission	Eaton Model 10
Drive Speed	0-200 feet per minute
Air Filter	4-stage
Fuel Capacity	9 gallons
Includes	Blade shaft tachometer, hour meter, frame lift, telescoping front pointer, parking brake, cutting depth indicator, quick disconnect blade flanges, oil bath blade shaft

CC6561GK Saw



CC6561GK KUBOTA GAS WALK BEHIND SAWS-61HP

Model #	Engine Make	Engine Power	Power Source	Speeds	Part #	Cat #	Product Weight (lbs.)	Blade Capacity	List Price
CC6561GK-14	Kubota® WG2503	61 HP	Gasoline	Single	5801180	75242	1,814	14"	\$33,901
CC6561GK-20	Kubota® WG2503	61 HP	Gasoline	Single	5801181	75241	1,829	20"	33,993
CC6561GK-26	Kubota® WG2503	61 HP	Gasoline	Single	5801182	48097	1,847	26"	34,085
CC6561GK-30	Kubota® WG2503	61 HP	Gasoline	Single	5801183	74109	1,848	30"	34,159
CC6561GK-36	Kubota® WG2503	61 HP	Gasoline	Single	5801184	75243	1,864	36"	34,302
CC6561GK-42	Kubota® WG2503	61 HP	Gasoline	Single	5801185	75245	1,884	42"	34,518
CC6561GK-3-14	Kubota® WG2503	61 HP	Gasoline	3-Speed (14"/26"/36")	5801190	75246	1,941	14"	38,303
CC6561GK-3-20	Kubota® WG2503	61 HP	Gasoline	3-Speed (20"/30"/42")	5801191	75249	1,949	20"	38,370
CC6561GK-3-26	Kubota® WG2503	61 HP	Gasoline	3-Speed (14"/26"/36")	5801192	75251	1,967	26"	38,438
CC6561GK-3-30	Kubota® WG2503	61 HP	Gasoline	3-Speed (20"/30"/42")	5801193	75252	1,968	30"	38,466
CC6561GK-3-36	Kubota® WG2503	61 HP	Gasoline	3-Speed (14"/26"/36")	5801194	75254	1,984	36"	38,597
CC6561GK-3-42	Kubota® WG2503	61 HP	Gasoline	3-Speed (20"/30"/42")	5801195	75255	2,004	42"	38,794

Horsepower and torque as rated by the engine manufacturer.

CC6561GK SINGLE SPEED RPM

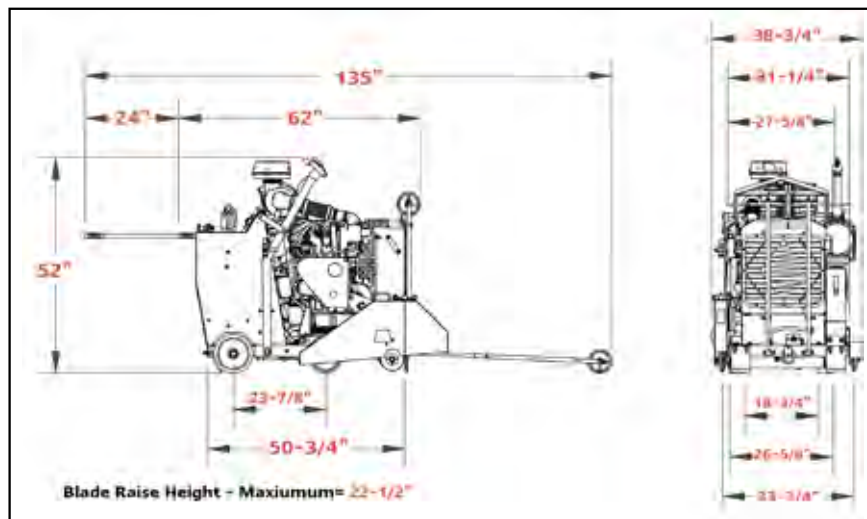
Blade Size	Blade RPM	Max Cut Depth
14"	2700	4-1/2"
20"	2400	7-1/2"
26"	1950	10-1/2"
30"	1700	11-3/4"
36"	1400	14-3/4"
42"	1200	17-3/4"

CC6561GK 3-SPEED RPM

Blade Size	Blade RPM	Gear Setting High, Med, Low	Max Cut Depth
14"	2700	H	3-3/4"
20"	2550	H	6-3/4"
26"	1775	M	9-3/4"
30"	1675	M	11-3/4"
36"	1175	L	14-3/4"
42"	1100	L	17-3/4"

CC6561GK OPTIONS

Description	Part #	Cat #	List Price
Water Safety Switch	6010522	67821	\$173
Water Pump (electric)	6011032	02506	520
Spot Light	6010112	02427	192
Lowering Speed Metering Valve	6010227	02480	305
Blade stacking kit-4-1/2" flange (for blades 1-1/2" apart)	6010630A	23186	960
Blade spacing kit-4-1/2" flange (for blades 2" apart)	6010631A	23187	1,011
Blade spacing kit-4-1/2" flange (for blades 4" apart)	6010632A	16558	1,195
14" Tapered Mount Blade Guard	6010950	20011	467
20" Tapered Mount Blade Guard	6010952	08213	693
26" Tapered Mount Blade Guard	6010954	19322	894
30" Tapered Mount Blade Guard	6010956	20456	1,103
36" Tapered Mount Blade Guard	6010958	13375	1,239
42" Tapered Mount Blade Guard	6010960	08216	1,400



CC6561GK Saw

CC6571D LIQUID-COOLED SAW

Cool Running, Fuel Efficient and
Reliable 71 HP Kubota® Diesel



Blade not included



Tier 4 Final

Powered By:



CC6571D Saw

14"-42" Blade Capacity

Diesel

FEATURES

- Tier 4 Final liquid-cooled engine allows for a smoother running, longer lasting saw with higher productivity
- Easy to maneuver self propelled drive
- Strongest frame on the market
- Less rear weight for easy maneuvering and reduced operator fatigue
- Oil bath blade shaft comes standard
- One-hand sawing control and parking brake
- Fits through a 36" wide door frame (when guard is removed)
- Quick release blade flange
- Blade shaft tachometer-where it's needed-not at the engine, gives true blade speed

SPECIFICATIONS

Max. Depth of Cut with 14" Blade	4-1/2" (3-3/4" 3-speed)
Max. Depth of Cut with 20" Blade	7-1/2" (6-3/4" 3-speed)
Max. Depth of Cut with 26" Blade	10-1/2" (9-3/4" 3-speed)
Max. Depth of Cut with 30" Blade	11-3/4" (11-3/4" 3-speed)
Max. Depth of Cut with 36" Blade	14-3/4" (14-3/4" 3-speed)
Max. Depth of Cut with 42" Blade	17-3/4" (17-3/4" 3-speed)
Blade Shaft Diameter	2"
Arbor Size	1" with single drive pin
Blade Shaft Drive	10 belts
Blade Mounting	Right or Left
Blade Raise/Lower	Electro-hydraulic pump
Transmission	Eaton Model 10
Drive Speed	0-200 feet per minute
Air Filter	4-stage
Fuel Capacity	9 gallons
Includes	Blade shaft tachometer, hour meter, frame lift, telescoping front pointer, parking brake, cutting depth indicator, quick disconnect blade flanges, oil bath blade shaft



CC6571D DIESEL LIQUID COOLED WALK BEHIND SAW

Saw Model #	Engine/Motor Make	Speeds	Engine/Motor Power	Power Source	Blade Capacity	Part #	Cat #	Product Weight (lbs.)	List Price
CC6571D-14	Kubota®	Single	71 HP	Diesel	14"	5801160	55603	1,825	\$41,681
CC6571D-20	Kubota®	Single	71 HP	Diesel	20"	5801161	55625	1,835	41,793
CC6571D-26	Kubota®	Single	71 HP	Diesel	26"	5801162	43504	1,848	41,902
CC6571D-30	Kubota®	Single	71 HP	Diesel	30"	5801163	54080	1,852	41,992
CC6571D-36	Kubota®	Single	71 HP	Diesel	36"	5801164	41741	1,855	42,163
CC6571D-42	Kubota®	Single	71 HP	Diesel	42"	5801165	55633	1,905	42,422
CC6571D-3-14	Kubota®	3-Speed (14"/26"/36")	71 HP	Diesel	14"	5801170	59044	1,815	47,010
CC6571D-3-20	Kubota®	3-Speed (20"/30"/42")	71 HP	Diesel	20"	5801171	55695	1,825	47,140
CC6571D-3-26	Kubota®	3-Speed (14"/26"/36")	71 HP	Diesel	26"	5801172	43503	1,835	47,250
CC6571D-3-30	Kubota®	3-Speed (20"/30"/42")	71 HP	Diesel	30"	5801173	55713	1,845	47,350
CC6571D-3-36	Kubota®	3-Speed (14"/26"/36")	71 HP	Diesel	36"	5801174	55728	1,850	47,450
CC6571D-3-42	Kubota®	3-Speed (20"/30"/42")	71 HP	Diesel	42"	5801175	55729	1,894	47,550

Horsepower and torque as rated by the engine manufacturer.

CC6571D SINGLE SPEED RPM

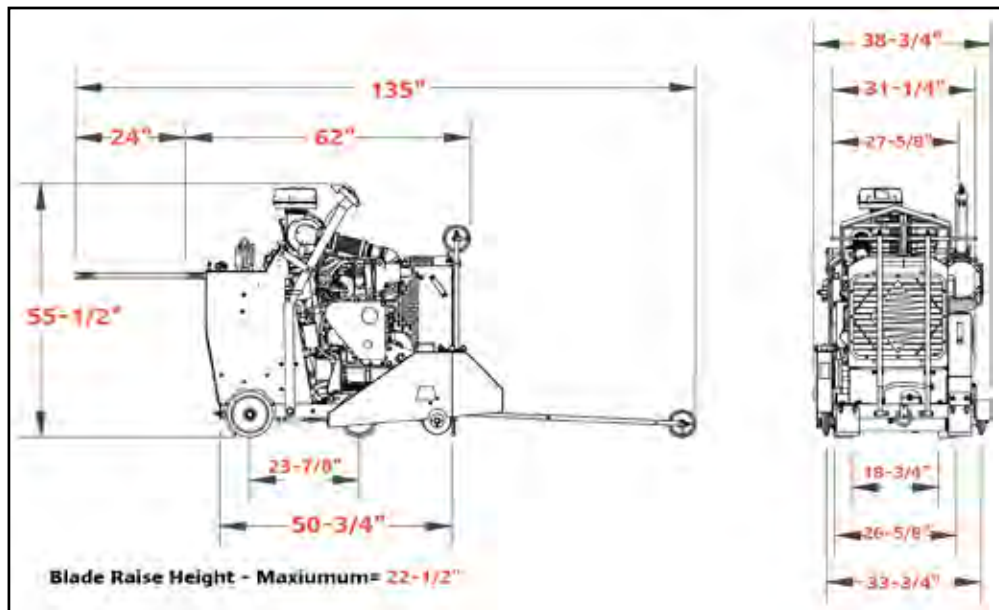
Blade Size	Blade RPM	Max Cut Depth
14"	2,700	4-1/2"
20"	2,400	7-1/2"
26"	1,950	10-1/2"
30"	1,700	11-3/4"
36"	1,400	14-3/4"
42"	1,200	17-3/4"

CC6571D 3-SPEED RPM

Blade Size	Blade RPM	Gear Setting High, Med, Low	Max Cut Depth
14"	2,700	H	3-3/4"
20"	2,550	H	6-3/4"
26"	1,775	M	9-3/4"
30"	1,675	M	11-3/4"
36"	1,175	L	14-3/4"
42"	1,100	L	17-3/4"

CC6571D OPTIONS

Description	Part #	Cat #	List Price
Water Safety Switch	6010522	67821	\$173
Water Pump (electric)	6011032	02506	520
Spot Light	6010112	02427	192
Lowering Speed Metering Valve	6010227	02480	305
Blade stacking kit-4-1/2" flange (for blades 1-1/2" apart) 20" Max.	6010630A	23186	960
Blade spacing kit-4-1/2" flange (for blades 2" apart) 20" Max.	6010631A	23187	1,011
Blade spacing kit-4-1/2" flange (for blades 4" apart) 20" Max.	6010632A	16558	1,195
14" Tapered Mount Blade Guard	6010950	20011	467
20" Tapered Mount Blade Guard	6010952	08213	693
26" Tapered Mount Blade Guard	6010954	19322	894
30" Tapered Mount Blade Guard	6010956	20456	1,103
36" Tapered Mount Blade Guard	6010958	13375	1,239
42" Tapered Mount Blade Guard	6010960	08216	1,400





CC7574DD IN-LINE SAW

**High Production,
Lower Maintenance
Costs and Better
Fuel Efficiency**



CC7574DD Control Panel

Detailed control instructions and computer readout for blade speed and engine setting.



MADE IN THE U.S.A.



Tier 4 Final

Powered By:



20"-48" Blade Capacity

Diesel

Blade not included

FEATURES

- Tier 4 Final Deutz® diesel engine
- Available with enhanced clutch assembly that allows the blade to be disengaged while the engine is running (single speed only)
- Easy maneuvering self propelled drive
- Strongest frame on the market
- Hydraulic wheel motor drive
- Blade shaft gearbox-oil bath for low maintenance
- Maintenance-free DVERT® diesel oxidation catalytic converter (DOC-only, no DPF).
- High pressure common rail electronic fuel injection.
- Modern computer interface engine controls

SPECIFICATIONS

Max. Depth of Cut with 20" Blade	7-1/4" (5" flange)
Max. Depth of Cut with 26" Blade	10-1/4" (5" flange)
Max. Depth of Cut with 30" Blade	12-1/4" (5" flange)
Max. Depth of Cut with 36" Blade	14-3/4" (6" flange)
Max. Depth of Cut with 42" Blade	17-1/4" (7" flange)
Max. Depth of Cut with 48" Blade	19-3/4" (8" flange)
Engine Brand	Deutz® Turbo Diesel
Engine Specification	4-Cylinder, 3.3 Liter
Max. Engine Power	74.3HP at 2600 RPM
Power at the Blade Shaft	74 Horsepower
Emission Regulation	EPA Tier 4 Final Compliant
Blade Shaft Diameter	2"
Arbor Size	1" with single drive pin
Blade Shaft Bearings	Multiple ball bearings in oil bath
Blade Shaft Drive	20 V-belts
Blade Mounting	Right or Left
Blade Raise/Lower	Electro-hydraulic pump
Transmission	Hydro pump powering dual wheel motors
Drive Speed	0-250 feet per minute
Air Filter	4-stage with restriction indicator
Fuel Capacity	9 gallons



CC7574DD IN-LINE DIESEL WALK BEHIND SAWS									
Model #	Engine Make	Speeds	Engine Power	Power Source	Part #	Cat #	Product Weight (lbs.)	Blade Capacity	List Price
CC7574DD-20	Deutz® Turbo	Single	74 HP	Diesel	5801256	75010	2,210	20"	\$46,530
CC7574DD-26	Deutz® Turbo	Single	74 HP	Diesel	5801257	75012	2,228	26"	46,615
CC7574DD-30	Deutz® Turbo	Single	74 HP	Diesel	5801258	74116	2,229	30"	46,724
CC7574DD-36	Deutz® Turbo	Single	74 HP	Diesel	5801259	75013	2,245	36"	47,242
CC7574DD-42	Deutz® Turbo	Single	74 HP	Diesel	5801260	75015	2,265	42"	47,490
CC7574DD-48	Deutz® Turbo	Single	74 HP	Diesel	5801261	75016	2,274	48"	48,404
CC7574DDC-20	Deutz® Turbo w/Clutch	Single w/clutch	74 HP	Diesel	5801262	75021	2,240	20"	50,192
CC7574DDC-26	Deutz® Turbo w/Clutch	Single w/clutch	74 HP	Diesel	5801263	75024	2,258	26"	50,274
CC7574DDC-30	Deutz® Turbo w/Clutch	Single w/clutch	74 HP	Diesel	5801264	75026	2,259	30"	50,381
CC7574DDC-36	Deutz® Turbo w/Clutch	Single w/clutch	74 HP	Diesel	5801265	75027	2,275	36"	50,901
CC7574DDC-42	Deutz® Turbo w/Clutch	Single w/clutch	74 HP	Diesel	5801266	75028	2,295	42"	51,108
CC7574DDC-48	Deutz® Turbo w/Clutch	Single w/clutch	74 HP	Diesel	5801267	75029	2,304	48"	52,020
CC7574DD-3-30	Deutz® Turbo	3-Speed (20"/26"/30")	74 HP	Diesel	5801268	74128	2,384	30"	52,061
CC7574DD-3-36	Deutz® Turbo	3-Speed (20"/30"/36")	74 HP	Diesel	5801269	75017	2,400	36"	52,366
CC7574DD-3-42	Deutz® Turbo	3-Speed (26"/36"/42")	74 HP	Diesel	5801270	75018	2,420	42"	52,374
CC7574DD-3-48	Deutz® Turbo	3-Speed (30"/42"/48")	74 HP	Diesel	5801271	75019	2,429	48"	53,288

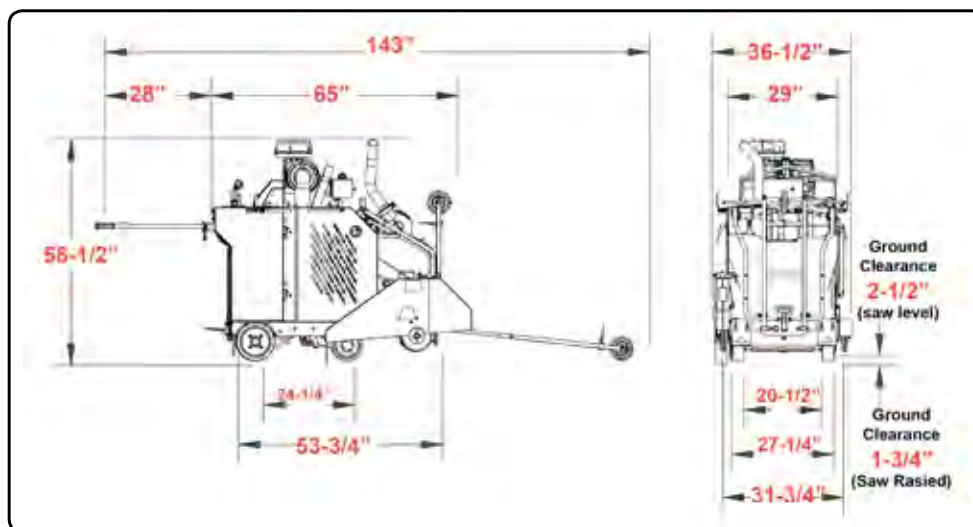
Horsepower and torque as rated by the engine manufacturer.

CC7574DD SINGLE SPEED RPM		
Blade Size	Blade RPM	Max Cut Depth
20"	2,500	7-1/2"
26"	2,100	10-1/2"
30"	1,800	11-3/4"
36"	1,500	14-3/4"
42"	1,300	17-3/4"
48"	1,050	19-3/4"

CC7574DD 3-SPEED RPM			
Blade Size	Blade RPM	Gear Setting High, Med, Low	Max Cut Depth
20"	2,500	H	6-3/4"
26"	1,925	M	9-3/4"
30"	1,800	M	11-3/4"
36"	1,300	L	14-3/4"
42"	1,200	L	17-3/4"
48"	1,000	L	19-3/4"

CC7574DD OPTIONS & BLADE GUARDS			
Description	Part #	Cat #	List Price
Water Pump (electric)	6017183	21337	\$447
Weight Kit (55 lbs.)*	6017428	61641	353
20" Tapered Mount Blade Guard	6010952	08213	693
26" Tapered Mount Blade Guard	6010954	19322	894
30" Tapered Mount Blade Guard	6010956	20456	1,103
36" Tapered Mount Blade Guard	6010958	13375	1,239
42" Tapered Mount Blade Guard	6010960	08216	1,400
48" Tapered Mount Blade Guard	6010962	24618	1,564

* Standard on CC7574DD-48



CC7574DD Saw



CC7574DK IN-LINE SAW

Increased Production, Lower Maintenance Costs and Better Fuel Efficiency



CC7574DK Control Panel

Detailed control instructions and computer readout for blade speed and engine setting.



MADE IN THE U.S.A.



Tier 4 Final

Blade not included

Powered By:



20"-48" Blade Capacity

Diesel

FEATURES

- Tier 4 Final Kubota® diesel engine
- Self-propelled Eaton Model 10 transmission
- Available with enhanced clutch assembly that allows the blade to be disengaged while the engine is running (single speed only)
- Strongest frame on the market
- Hydraulic wheel motor drive
- Blade shaft gearbox-oil bath for low maintenance
- High pressure common rail electronic fuel injection.
- Modern computer interface engine controls

SPECIFICATIONS

Max. Depth of Cut with 20" Blade	7-1/4" (5" flange)
Max. Depth of Cut with 26" Blade	10-1/4" (5" flange)
Max. Depth of Cut with 30" Blade	12-1/4" (5" flange)
Max. Depth of Cut with 36" Blade	14-3/4" (6" flange)
Max. Depth of Cut with 42" Blade	17-1/4" (7" flange)
Max. Depth of Cut with 48" Blade	19-3/4" (8" flange)
Engine Brand	Kubota® Turbo Diesel
Engine Specification	4-Cylinder, 3.3 Liter
Max. Engine Power	74.5HP at 2600 RPM
Power at the Blade Shaft	70 Horsepower
Emission Regulation	EPA Tier 4 Final Compliant
Blade Shaft Diameter	2"
Arbor Size	1" with single drive pin
Blade Shaft Bearings	Multiple ball bearings in oil bath
Blade Shaft Drive	20 V-belts, 4 power bands
Blade Mounting	Right or Left
Blade Raise/Lower	Electro-hydraulic pump
Transmission	Hydro pump powering dual wheel motors
Drive Speed	0-250 feet per minute
Air Filter	4-stage with restriction indicator
Fuel Capacity	9 gallons



CC7574DK IN-LINE KUBOTA DIESEL WALK BEHIND SAWS

Model #	Engine Make	Speeds	Engine Power	Power Source	Part #	Cat #	Product Weight (lbs.)	Blade Capacity	List Price
CC7574DK-20	Kubota® Turbo	Single	74 HP	Diesel	5801240	75039	2,210	20"	\$46,530
CC7574DK-26	Kubota® Turbo	Single	74 HP	Diesel	5801241	75041	2,228	26"	46,615
CC7574DK-30	Kubota® Turbo	Single	74 HP	Diesel	5801242	72404	2,229	30"	46,724
CC7574DK-36	Kubota® Turbo	Single	74 HP	Diesel	5801243	75042	2,245	36"	47,242
CC7574DK-42	Kubota® Turbo	Single	74 HP	Diesel	5801244	75044	2,265	42"	47,490
CC7574DK-48	Kubota® Turbo	Single	74 HP	Diesel	5801245	75045	2,274	48"	48,404
CC7574DKC-20	Kubota® Turbo w/Clutch	Single w/clutch	74 HP	Diesel	5801246	74108	2,240	20"	50,192
CC7574DKC-26	Kubota® Turbo w/Clutch	Single w/clutch	74 HP	Diesel	5801247	75053	2,258	26"	50,274
CC7574DKC-30	Kubota® Turbo w/Clutch	Single w/clutch	74 HP	Diesel	5801248	75056	2,259	30"	50,381
CC7574DKC-36	Kubota® Turbo w/Clutch	Single w/clutch	74 HP	Diesel	5801249	75057	2,275	36"	50,901
CC7574DKC-42	Kubota® Turbo w/Clutch	Single w/clutch	74 HP	Diesel	5801250	75060	2,295	42"	51,108
CC7574DKC-48	Kubota® Turbo w/Clutch	Single w/clutch	74 HP	Diesel	5801251	75062	2,304	48"	52,020
CC7574DK-3-30	Kubota® Turbo	3-Speed (20"/26"/30")	74 HP	Diesel	5801252	75046	2,384	30"	52,061
CC7574DK-3-36	Kubota® Turbo	3-Speed (20"/30"/36")	74 HP	Diesel	5801253	75047	2,400	36"	52,366
CC7574DK-3-42	Kubota® Turbo	3-Speed (26"/36"/42")	74 HP	Diesel	5801254	75049	2,420	42"	52,374
CC7574DK-3-48	Kubota® Turbo	3-Speed (30"/42"/48")	74 HP	Diesel	5801255	75051	2,429	48"	53,288

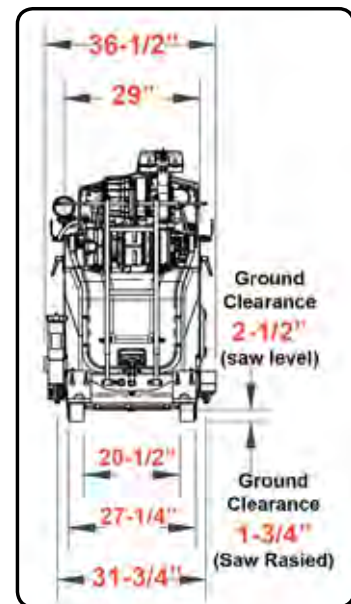
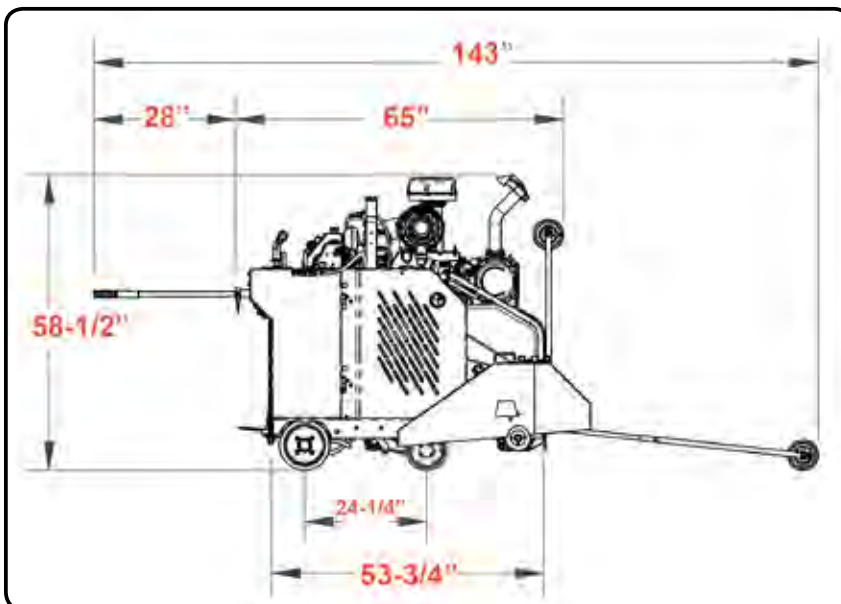
CC7574DK SINGLE SPEED RPM

Blade Size	Blade RPM	Max Cut Depth
20"	2,300	7-1/4"
26"	1,875	10-1/4"
30"	1,675	12-1/4"
36"	1,375	14-3/4"
42"	1,125	17-1/4"
48"	1,000	19-3/4"

CC7574DK OPTIONS & BLADE GUARDS

Description	Part #	Cat #	List Price
Water Pump (electric)	6017547	75069	\$410
Weight Kit (55 lbs.)*	6017428	61641	353
20" Tapered Mount Blade Guard	6010952	08213	693
26" Tapered Mount Blade Guard	6010954	19322	894
30" Tapered Mount Blade Guard	6010956	20456	1,103
36" Tapered Mount Blade Guard	6010958	13375	1,239
42" Tapered Mount Blade Guard	6010960	08216	1,400
48" Tapered Mount Blade Guard	6010962	24618	1,564

* Standard on CC7574DK-48



CC9074DK DEEP CUT SAW



CC9074D Control Panel
Detailed control instructions and computer readout for blade speed and engine setting. Can fold down to protect the screen.



Powered By:



Blade not included

60" Blade Capacity

Diesel

FEATURES

- Tier 4 Final Kubota® diesel engine
- Advanced digital 7" display with engine service alerts and maintenance reminders
- Front view camera to view sawing location/obstructions
- LED spot and bar lights for night sawing
- Auto Water System (AWS) automatically starts/stops water to blade when in/out of cut
- Undercarriage slurry flap to minimize slurry buildup on rear axle components
- Effective weight balance for balanced optimum performance
- Fast attach blade guard stabilizer with quick disconnect ball joints to speed guard removal
- Easy-turn 5th wheel that automatically lifts rear wheels at max raise height to allow rear saw swivel
- Enclosed rear wheel motors that are hydraulic driven with center swivel for easy tracking adjustment
- Simple freewheeling with dash mounted switch activation
- Robust blade shaft with massive support by 3 pillow block style, spherical roller bearings
- Powerful Jackshaft drive with low speed, high torque blade drive maximizing full engine power
- Advanced air cleaner with radial seal primary and secondary filters along with spinner style pre-cleaner
- Robust radiator core made of heavy duty aluminum that withstands frequent power washing
- Sealed electronic protection that resists heat, moisture, shock and vibration
- Single piece frame platform with heavy bar and tubular reinforcement

SPECIFICATIONS

Max. Depth of Cut w/ 36" Blade	15" (6" flange)
Max. Depth of Cut w/ 42" Blade	17-1/2" (7" flange)
Max. Depth of Cut w/ 48" Blade	20" (8" flange)
Max. Depth of Cut w/ 54" Blade	22-1/2" (9" flange)
Max. Depth of Cut w/ 60" Blade	25" (10" flange)
Engine Brand/Model	Kubota® Turbo Diesel
Engine Specification	4-Cylinder, 3.3 Liter
Max Engine Power	74.3 hp @ 2600 rpm (Kubota rating)
Peak Torque	195.5 Ft-Lbs (265 Nm) @ 1500 rpm
Blade Arbor Size	1" diameter with drive pin
Blade Flange Type	Quick disconnect
Blade Shaft	1-3/4" OD with left/right side mounting, 3 pillow blocks with spherical roller bearings
Blade Shaft Drive	Kevlar V-Belts Engine: 10 to Jackshaft: 20
Blade Raise & Lower	Electro-hydraulic power unit with push button control
Blade Depth Control	Electronic depth indicator and depth stop
Fifth Wheel	3-1/4" x 2" poly tread swivel lock caster
Drive Speed	0-220 FPM (2.5 mph) forward/reverse
Rear Wheel Drive	Hydraulic wheel motors with freewheel for pushing
Parking Brake	Automatic hydraulic lock at stop position
Handle Bar Adjustment	Variable extension with quick lock variable 30° angle range



CC9074DK DEEP CUT SAW

Model #	Engine Make	Engine Power	Power Source	Speeds	Part #	Cat #	Product Weight (lbs.)	Blade Capacity	List Price
CC9074DK-36	Kubota® Turbo	74 HP	Diesel	Single	5801290	68055	2,478	36"	\$58,952
CC9074DK-42	Kubota® Turbo	74 HP	Diesel	Single	5801291	68247	2,500	42"	\$59,297
CC9074DK-48	Kubota® Turbo	74 HP	Diesel	Single	5801292	57696	2,533	48"	\$59,534
CC9074DK-54	Kubota® Turbo	74 HP	Diesel	Single	5801293	46758	2,823	54"	\$60,749
CC9074DK-60	Kubota® Turbo	74 HP	Diesel	Single	5801294	59724	2,864	60"	\$61,285

CC9074DK OPTIONS & BLADE GUARDS

Description	Part #	Cat #	List Price
Water Pump (electric)	6016035	49453	\$403
Weight Kit (200 lbs.)*	6016088	49459	657
36" Tapered Mount Blade Guard	6010958	13375	1,239
42" Tapered Mount Blade Guard	6010960	08216	1,400
48" Tapered Mount Blade Guard	6010962	24618	1,564
54" Tapered Mount Blade Guard	6010614	99721	1,657
60" Tapered Mount Blade Guard	6010616	70666	1,984

*Standard on the 54" and 60" models.



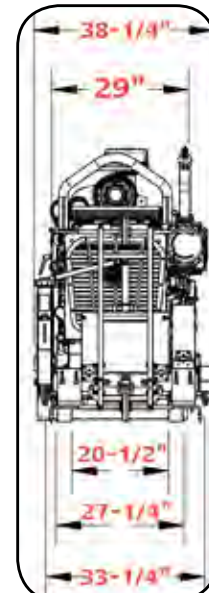
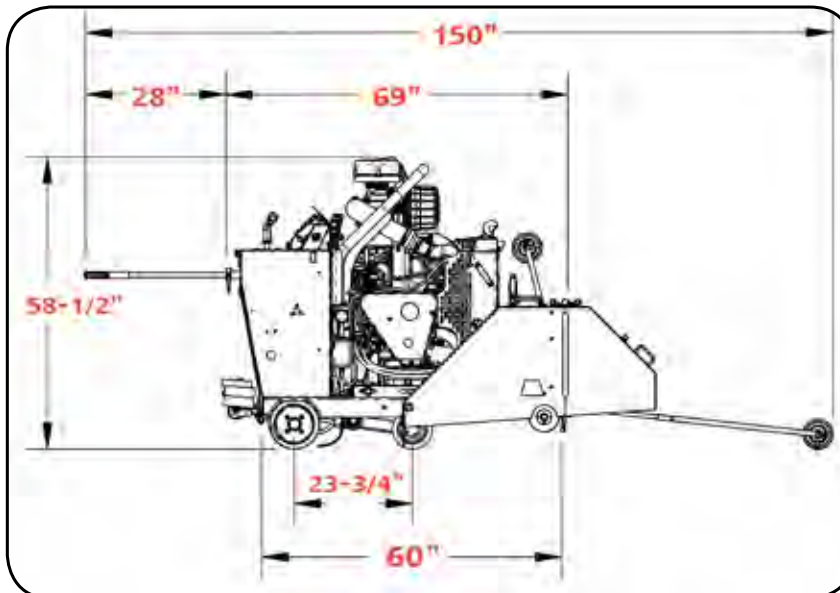
Simplified Serviceability

Easy, open component access to speed routine maintenance



Easily Accessible Belts

Multi-panel openings for quick belt maintenance.



Blade raise height maximum: 32"

CC7874KT4 EZ JOINT RIDER SAW



Tier 4 Final

Powered By:

Kubota



MADE IN THE U.S.A.



14" - 20" Blade Capacity

Diesel

FEATURES

- Fast driving speed out of the cut
- Hydraulically assisted power steering
- 2" Double row tapered roller blade shaft bearings
- Vibration isolated adjustable seat and foot rest
- Fully enclosed belt guard keeps belts free of slurry for longer life
- Front wheels are adjustable for green sawing or random crack sawing
- Patented belt tensioning system allows for precise belt alignment for longer belt life
- Inboard bearing support for easy belt removal
- Hydrostatic ground drive allows precise speed control
- Blade raise/lower switch is incorporated in joystick for ease of operation
- Includes three lights for night sawing
- Automotive Style Sealed Front Wheel Bearings

SPECIFICATIONS

Max. Depth of Cut with 14" Blade	4"
Max. Depth of Cut with 20" Blade	7"
Engine Brand	Kubota V3370 Tier 4 Final
Max. Engine Power	74HP
Blade Shaft Diameter	2"
Arbor Size	1" with drive pin
Blade Shaft Bearings	2" double row tapered roller pillow block
Blade Shaft Drive	10-3VX (2-5 belt banded)
Blade Mounting	Right side only
Blade Raise/Lower	Electric over hydraulic adjustable
Hydraulics	Belt driven hydrostatic ground drive pump
Travel Speed	0-300 feet per minute
Air Filter	3-stage air intake
Electrical	12 Volt system
Gauges	Fuel, digital display with tachometer and hour meter



CC7874KT4 EZ RIDER JOINT SAW								
Model #	Engine Make	Engine Power	Power Source	Part #	Cat #	Blade Capacity	Product Weight (lbs.)	List Price
CC7874KT4-14	Kubota V3307	74HP	Diesel	CC7874KT4-1420	41383	14" and 20"	2,420	\$82,268

Horsepower and torque as rated by the engine manufacturer.

CC7874KT4 BLADE GUARDS			
Description	Part #	Cat #	List Price
14" Blade Guard	6046030	08994	\$328
20" Blade Guard	6047214	75074	271

WHAT ARE EXPANSION/CONTROL JOINTS?

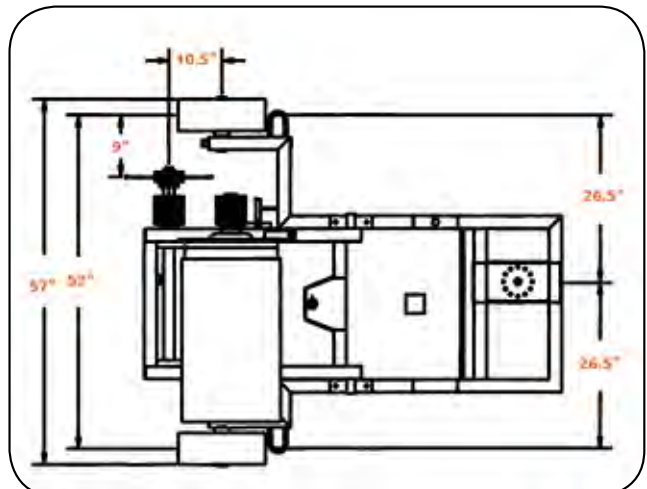
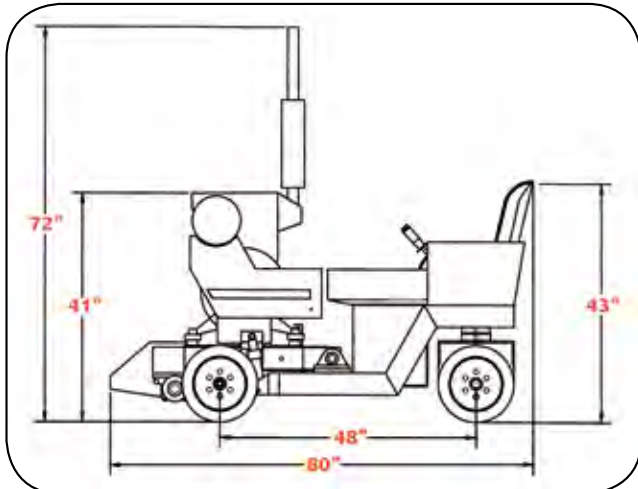
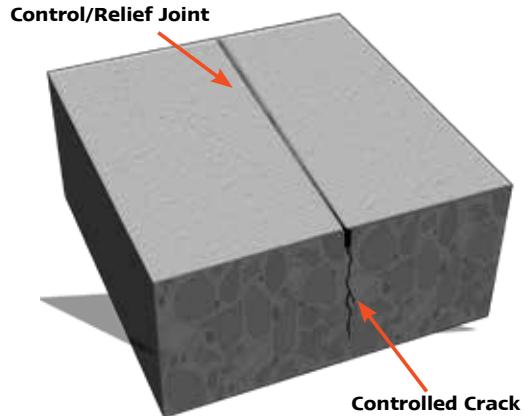
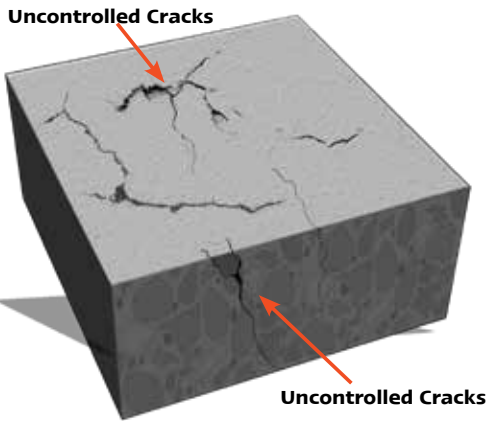
Concrete expands and contracts with temperature and moisture changes...as the temperature rises or the moisture content of the concrete increases, expansion takes place...as the temperature drops, the concrete will contract. The provision to accommodate movement at predetermined locations with proper joint cuts, prevents the development of stresses that could rupture the concrete.

Concrete Without Expansion/Control Joint

Without a cut or joint made into the material, heat and cold aligned with curing can cause expanding and contracting of the concrete, creating uncontrolled cracks throughout. Those cracks will eventually create ruptures and sections that can pull apart from the rest of the material.

Concrete With Expansion/Control Joint

Making a controlled cut in the concrete **CONTROLS** where the cracks appear. When this procedure is done in determined spaced sections, the damage and cracking is kept at a minimum which prolongs the life of the concrete slab.



CC7874KT EZ RIDER



CC8574DD RIDER SAW



High Productivity in a Ride-On Unit



Tier 4 Final

Powered By:



Blade not included

14"-60" Blade Capacity

Diesel

FEATURES

- Redesigned frame for improved rigidity and strength
- Engine and hydraulic cooler work off of the engine-mounted fan
- Coolers located at the rear of the saw to reduce fouling
- Reservoir with clean out access
- Infinitely variable blade speed
- Programmable depth stop
- Updated rear drive motor with increased load capacity, higher top speed, integral parking brake
- Steering actuator for improved control
- Positive neutral lock for wheel drive
- Large diameter front and rear wheels for better traction
- Trailers itself up to a 12 degree incline
- Optional angle arm assembly for angled cutting
- Sauer-Danfoss & Parker blade drive hydraulic components
- Poclairn & Parker wheel drive components
- Umbrella included

SPECIFICATIONS

Max. Depth of Cut w/ 14" Blade	3-3/4" (6" flange)
Max. Depth of Cut w/ 20" Blade	6-3/4" (6" flange)
Max. Depth of Cut w/ 26" Blade	9-3/4" (6" flange)
Max. Depth of Cut w/ 30" Blade	11-3/4" (6" flange)
Max. Depth of Cut w/ 36" Blade	14-3/4" (6" flange)
Max. Depth of Cut w/ 42" Blade	16-3/4" (7" flange)
Max. Depth of Cut w/ 48" Blade	19-3/4" (8" flange)
Max. Depth of Cut w/ 54" Blade	22-3/4" (9" flange)
Max. Depth of Cut w/ 60" Blade	23-3/4" (10" flange)
Engine Model	Deutz 2.9 Turbo L4 Tier 4 Final
Max. Engine Power	74 HP
Blade Shaft Diameter	2-1/2"
Arbor Size	1" w/single drive pin
Blade Shaft Drive	Hydraulic motor
Blade Mounting	Right side
Blade Raise/Lower	Hydraulic, solenoid valve controlled
Transmission	Variable displacement hydraulic pump & motor
Air Filter	8" Donaldson Alexin
Fuel Capacity	9.5 gallons
Includes	Hour Meter, Tachometer, Telescoping Front Pointer, Adjustable Depth Stop, Cup Holder, Quick Disconnect Blade Flanges



MADE IN THE U.S.A.

CC8574DD Rider Saw

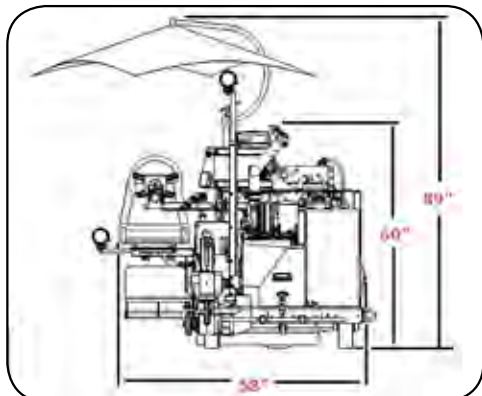
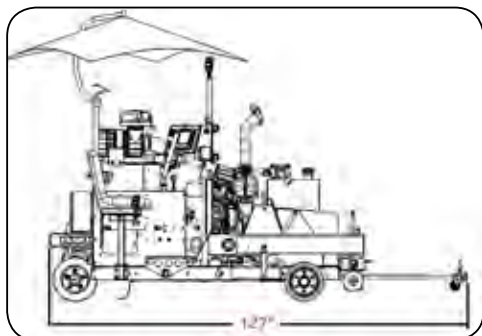


CC8574DD RIDER SAW								
Model #	Engine Make	Engine Power	Power Source	Part #	Cat #	Blade Capacity	Product Weight (lbs.)	List Price
CC8574DD-14	Deutz	74 HP	Diesel	5803300	78895	14"	3,715	\$89,353
CC8574DD-20	Deutz	74 HP	Diesel	5803301	78928	20"	3,725	89,383
CC8574DD-26	Deutz	74 HP	Diesel	5803302	78949	26"	3,741	89,559
CC8574DD-30	Deutz	74 HP	Diesel	5803303	78951	30"	3,749	89,662
CC8574DD-36	Deutz	74 HP	Diesel	5803304	78995	36"	3,763	89,816
CC8574DD-42*	Deutz	74 HP	Diesel	5803305	78997	42"	3,772	94,003
CC8574DD-48*	Deutz	74 HP	Diesel	5803306	79001	48"	3,794	94,230
CC8574DD-54*	Deutz	74 HP	Diesel	5803307	79020	54"	3,870	94,451
CC8574DD-60*	Deutz	74 HP	Diesel	5803308	79139	60"	3,900	94,678

Horsepower and Torque as rated by the engine manufacturer. *42" to 60" models include deep cut gearbox.

CC8574DD BLADE GUARDS			
Description	Part #	Cat #	List Price
14" Tapered Mount Blade Guard	6010950	20011	\$467
20" Tapered Mount Blade Guard	6010952	08213	693
26" Tapered Mount Blade Guard	6010954	19322	894
30" Tapered Mount Blade Guard	6010956	20456	1,103
36" Tapered Mount Blade Guard	6010958	13375	1,239
42" Tapered Mount Blade Guard	6010960	08216	1,400
48" Tapered Mount Blade Guard	6010962	24618	1,564
54" Tapered Mount Blade Guard	6010614	99721	1,657
60" Tapered Mount Blade Guard	6010616	70666	1,984

CC8574DD OPTIONS			
Description	Part #	Cat #	List Price
Angle Cutting Arm Assembly Conversion Kit	6040159	22965	\$3,689
Water Pump Kit	6016662	68495	681
Blade spacing kit-6" flange (for blades 1-1/2" apart)	6010630C	17000	808
Blade spacing kit-6" flange (for blades 2" apart)	6010631C	21357	761
Blade spacing kit-6" flange (for blades 4" apart)	6010632C	17592	1,195
Large blade gearbox kit 42"	6016682	68496	13,452
Large blade gearbox kit 48"	6016683	68499	13,493
Large blade gearbox kit 54"	6016684	68500	13,735
Large blade gearbox kit 60"	6016685	68554	13,848



Digital User Interface (7"):

- Engine and blade speed
- Engine and hydraulic fluid temperature
- Fuel level
- Hydraulic low level and blade over speed warning



New rear wheel drive bracket for greatly improved strength and reduced hose swing projection. Rear kingpin design with tapered roller bearings in a fully sealed cartridge for greatly improved strength and reliability

Tight Turning Radius & Integral Parking Brake

Multiple access doors and pivoting hood provide quick access to all filters and hydraulics for ease of maintenance



C14 ELECTRIC HANDHELD SAW

C14

15 Amp
Includes PRCD
Protection



Adjustable

14"



Optional Vac Skid Available for C14, C14PRO and C16 Saws

Blade not included.

C14 PRO

25 Amp
Does Not Include
PRCD Protection



14"

Blade not included.

Water Connection for Wet Cutting

C14 Hand Saw

14" Blade Capacity

Electric

FEATURES

- Wet or dry cutting
- Overload protection with load warning LED light
- Electrical cord with PRCD protection (C14 only)
- Detachable guide rollers
- Splash guard to protect from water spray
- Handles designed for optimal control
- Tool-free blade guard angle adjustment
- Lightweight magnesium blade guard
- Externally accessible motor brushes
- Standard water feed system with fine adjustable flow and quick release coupling and durable hose

C14 SPECIFICATIONS

Power Input	15 Amp
Voltage	120 Volt
RPM	4500
Arbor	1"
Max. Cutting Depth	5"
Cut Direction	Down
Weight	17 lbs. (18 lbs. with guide rollers)

C14PRO SPECIFICATIONS

Power Input	25 Amp
Voltage	120 Volt
RPM	4500
Arbor	1"
Max. Cutting Depth	5"
Cut Direction	Down
Weight	17 lbs. (18 lbs. with guide rollers)

C14 HANDHELD ELECTRIC SAWS

Model #	Motor Power	Power Source	Part #	Cat #	List Price
C14	15A/120V	Electric	5801601	48975	\$932
C14PRO	25A/120V	Electric	5801620	74267	932

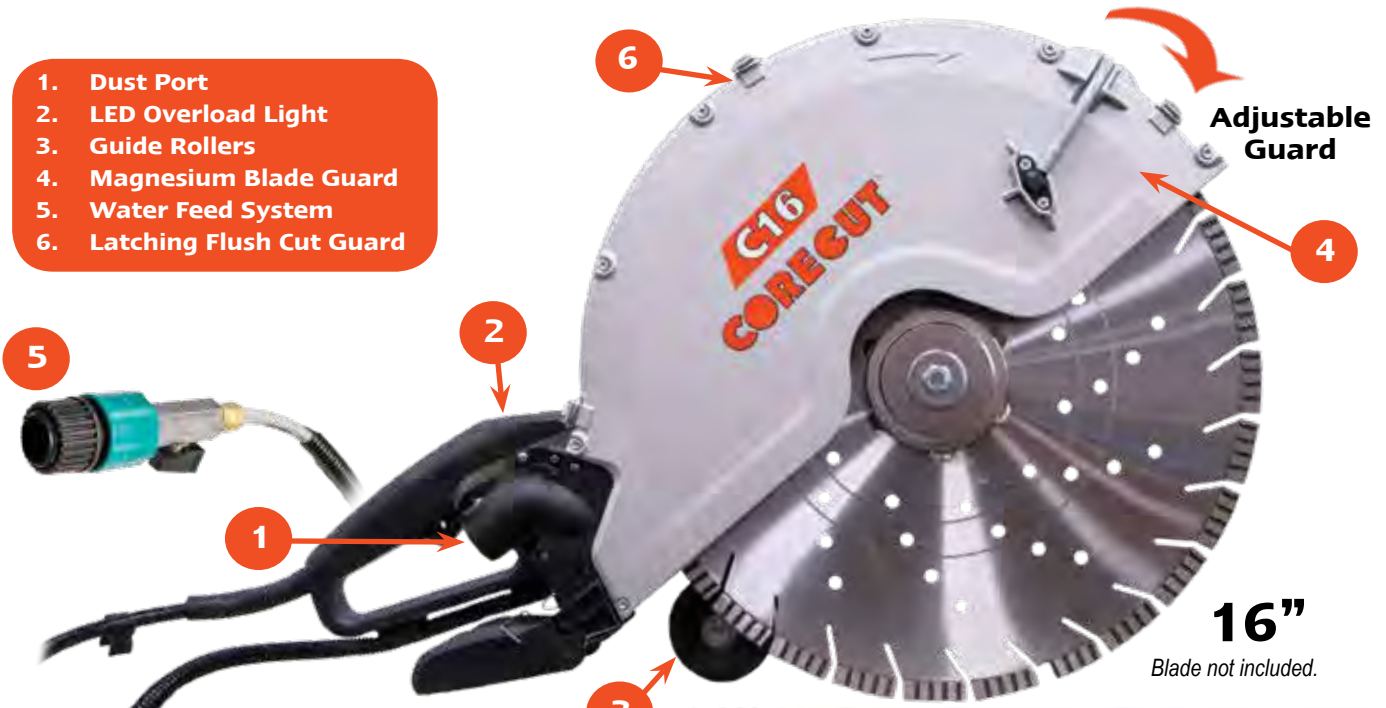
C14 OPTIONS

Description	Part #	Cat #	List Price
C14 Vacuum Skid	6078496	80698	\$193

C16 ELECTRIC FLUSH-CUT HANDHELD SAW



1. Dust Port
2. LED Overload Light
3. Guide Rollers
4. Magnesium Blade Guard
5. Water Feed System
6. Latching Flush Cut Guard



16"
Blade not included.



Flush cutting is easy with removable side guard



Removable guard side for flush cutting
(Flush-cut bolt pattern required on blade in order to cut flush)

16" Blade Capacity **Electric**

FEATURES

- Wet or dry cutting
- Overload protection with load warning LED light-visible to operator
- Electrical cord with PRCD protection
- Detachable guide rollers
- Spring-loaded splash guard to protect from water spray
- Handles designed for optimal control
- Tool-free blade guard angle adjustment
- Lightweight magnesium blade guard
- Externally accessible motor brushes
- Standard water feed system with fine adjustable flow and quick release coupling and durable hose

SPECIFICATIONS

Power Input	25 Amp
RPM	3900
Arbor	1" plus Long Year Flush Cut
Max. Cutting Depth	6"
Cut Direction	Down
Weight	17 lbs. (18 lbs. with guide rollers)

C16 OPTIONS

Description	Part #	Cat #	List Price
EZ CORD Adapter - 12" long cord -12AWG - 115V 30 Amp Twist L5-30C / 5-15P to 15 Amp	4699131	94366	\$37
C16 Vacuum Skid	6078502	05225	236

C16 HANDHELD ELECTRIC SAW

Model #	Motor Power	Power Source	Part #	Cat #	List Price
C16	25A/120V	Electric	5801605	72378	\$1,301

C16 Hand Saw



WEKA HIGH CYCLE EQUIPMENT				
Description	Part #	Cat #	Weight (lbs)	List Price
WEKA FU6D Power Inverter	2600920	84252	34	3,037
WEKA HD16 Hand Held Motor	2600904	74773	13.7	4,841
WEKA CSE16HF High Cycle Chain Saw	2600907	74774	21	6,135
WEKA TR40 Ring Saw	2600909	84114	27	3,732
WEKA TS40 Hand Saw	2600906	74737	21	3,732

See Page 136 for WEKA Chain Saw Chain and Bar information.

Why High Cycle?

- High productivity
- Longer lasting equipment and increased efficiency
- Lower maintenance
- Increased power that allows for maximum RPM
- Consistent performance without power fluctuations
- Rugged operation for less tool wear



WEKA High Cycle

HD16 Drill Motor

TS40 Hand Saw



CSE16HF Chain Saw

FU6D Power Inverter

TR40 Ring Saw



FU6D Power Inverter

For use on all High Cycle WEKA equipment shown. The FU6D recognizes the connected machine by means of the coded plug and controls each connected machine individually. Keypad and bluetooth interface integrated.

FU6D SPECIFICATIONS	
Power	230V, 16amp (3700 Watt) 1PH 460V, 11.5 amp (6500 Watt) 3PH
Weight	25 lbs.



WEKA HD16 Hand Drill Motor

6" (mounted), 3" (hand held)
Bit Capacity

Electric

HD16 SPECIFICATIONS	
Power	3700 Watt
3-Speed RPM	630/1400/2900
Weight	13.7 lbs.



WEKA TS40 Hand Saw

16" Blade Capacity

Electric

TS40 SPECIFICATIONS	
Power	230V, 16 amp (3700 watt) 1PH 460V, 11.5 amp (6500 watt) 3PH
Cutting Depth	6-1/2"
Arbor	1"
Weight	21 lbs.



WEKA TR40 Ring Saw

16" Blade Capacity

Electric

TR40 SPECIFICATIONS	
Power	230V, 16 amp (3700 watt) 1PH 460V, 11.5 amp (6500 watt) 3PH
Cutting Depth	12"
Weight	27 lbs.



CSE16HF Chain Saw

12" & 14" Chain/Bar Capacity

Electric

CSE16HF SPECIFICATIONS	
Power	230V, 16 amp (3700 watt) 1PH 460V, 11.5 amp (6500 watt) 3PH
Weight	21 lbs.



HYDRAULIC HAND SAWS

HS SERIES-STANDARD GUARD

Blade Capacity/ Guard Type	(GPM) Gallons Per Minute	Part #	Cat #	Product Weight (lbs)	List Price
16" Standard	10 gpm	5801360	68005	31	\$4,316
16" Standard	12 gpm	5801361	15210	31	4,316
16" Standard	15 gpm	5801362	35393	31	4,316
20" Standard	8 gpm	5801363	91407	33	4,269
20" Standard	10 gpm	5801364	95255	33	4,269
20" Standard	12 gpm	5801365	86118	33	4,269
20" Standard	15 gpm	5801366	80760	33	4,269
24" Standard	8 gpm	5801367	97183	37	4,375
24" Standard	10 gpm	5801368	50461	37	4,375
24" Standard	12 gpm	5801369	92375	37	4,375
24" Standard	15 gpm	5801370	80466	37	4,375



HS Series-Standard (Fixed) Guard:

- Single trigger
- Lightweight aluminum frame
- Overhung load adapter
- Manual water valve
- Casappa® hydraulic motor
- Down cut

HS SERIES-FLUSH CUT WITHOUT COVERS

Blade Capacity/ Guard Type	(GPM) Gallons Per Minute	Part #	Cat #	Product Weight (lbs)	List Price
20" Flush Cut	8 gpm	5801371	71058	31	\$4,567
20" Flush Cut	10 gpm	5801372	50463	31	4,567
20" Flush Cut	12 gpm	5801373	94878	31	4,567
20" Flush Cut	15 gpm	5801374	81451	31	4,567
24" Flush Cut	8 gpm	5801375	50465	34	4,698
24" Flush Cut	10 gpm	5801376	50319	34	4,698
24" Flush Cut	12 gpm	5801377	94076	34	4,698
24" Flush Cut	15 gpm	5801378	80458	34	4,698
Cover for Flush Cut 20" hand saw		2502559	80750	4	533
Cover for Flush Cut 24" hand saw		2503508	87129	5	671



HS Series Flush Cut without Cover:

- Single trigger
- Light weight aluminum frame
- Overhung load adapter
- Manual water valve
- Casappa® hydraulic motor
- Down cut
- Flush cut hub
- Bolt on blade guard optional

Hydraulic Hand Saws



MADE IN THE
U.S.A.

CARTS FOR HS SERIES FLUSH CUT HAND SAWS

Description	Part #	Cat #	Product Weight (lbs)	List Price
Cart-20" Hydraulic Hand Saw	6087146	25538	45	\$1,179
Cart-21" Hydraulic Hand Saw	6087148	17624	46	1,374
Cart-24" Hydraulic Hand Saw	6087147	21803	48	1,474
Cart-25" Hydraulic Hand Saw	6087149	76037	50	1,474

Hand saw carts make horizontal cutting easier
and eases operator fatigue **FLUSH CUT ONLY**



Pro Series Flush Cut :

- Dual trigger
- Light weight aluminum frame
- Trigger activated water valve
- Overhung load adapter
- Casappa® hydraulic motor
- Down cut
- Flush cut with removable guard
- 24.00" whip hoses included

PRO SERIES HYDRAULIC-FLUSH CUT					
Blade Capacity/ Guard Type	(GPM) Gallons Per Minute	Part #	Cat #	Product Weight (lbs)	List Price
21" Flush Cut	8 gpm	5800850	03958	39	\$4,758
21" Flush Cut	10 gpm	5800851	07210	39	4,758
21" Flush Cut	12 gpm	5800852	05818	39	4,758
21" Flush Cut	15 gpm	5800853	15005	39	4,758
25" Flush Cut	8 gpm	5800854	08693	41	4,844
25" Flush Cut	10 gpm	5800855	15199	41	4,844
25" Flush Cut	12 gpm	5800856	06345	41	4,844
25" Flush Cut	15 gpm	5800857	15201	41	4,844

PRO SERIES LIGHT WEIGHT-FLUSH CUT					
Blade Capacity/ Guard Type	(GPM) Gallons Per Min	Part #	Cat #	Product Weight (lbs)	List Price
21" Flush Cut	8 gpm	5800860	14392	35	\$3,850
21" Flush Cut	10 gpm	5800861	14393	35	3,850
21" Flush Cut	12 gpm	5800862	12203	35	3,850
21" Flush Cut	15 gpm	5800863	14397	35	3,850
25" Flush Cut	8 gpm	5803013	59260	37	4,236
25" Flush Cut	10 gpm	5803014	59265	37	4,236
25" Flush Cut*	12 gpm	5801340	53154	37	4,236
25" Flush Cut	15 gpm	5803016	59274	37	4,236

*Manual Meter Valve



HS Series-Light Weight Standard (Fixed) Guard:

- Single trigger
- Light weight aluminum frame
- Manual water valve
- Casappa® hydraulic motor
- Down cut
- Our lightest weighing hydraulic hand saw

LIGHT WEIGHT-STANDARD (FIXED) GUARD					
Blade Capacity/ Guard Type	(GPM) Gallons Per Min	Part #	Cat #	Product Weight (lbs)	List Price
20" Standard Cut	8 gpm	5800864	47148	30	\$3,583
20" Standard Cut	10 gpm	5800865	47149	30	3,583
20" Standard Cut	12 gpm	5800866	15226	30	3,583
20" Standard Cut	15 gpm	5800867	47150	30	3,583
24" Standard Cut	12 gpm	5803010	28009	33	4,398



MADE IN THE
U.S.A.



MINI-DRAGON ELECTRIC HAND SAWS

8.5" - 12-1/2" Cutting Depth

DragonSaw



EMDS-115
EMDS-230



**CAUTION-
WET CUTTING ONLY**
Use only in precut material
to ensure safe operation.



Blade not included

Includes
Wear Plate



12 & 16" Blade Capacity

Electric

FEATURES

- Best power transfer to blade-where it is needed
- 1/3 less cutting cost than chain sawing
- Eliminates over cuts on corners
- Electronic overload with warning light
- Heavy duty splash guard
- Spring loaded blade guard
- Up to three times faster than chain sawing
- Diamond blade life up to five times longer-saves you money
- Light weight and easy to handle-22 lbs.

MINI-DRAGON RING SAWS

Model #	Motor Power	Power Source	Part #	Cat #	List Price
EMDS-115	115V, 23 amp	Electric	5801602	64540	\$5,385
EMDS-230	230V, 15 amp	Electric	5801603	64998	5,385



Overload
Warning Light

HEAVY DUTY ORANGE WET DRAGON CLAW RING BLADES WITH WEAR PLATE

SIZE	C41HM-16 CAT #	C42HM-16 CAT #	CRSDR18HM-16 CAT #	CRSDR20HM-16 CAT #	List Price
12" x .155	---	---	69664	77770	\$791
16" x .155	29301	93866	61775	38330	1,456
20" x .155	29303	93865	61781	16362	1,625



For Use With Our Dragon
Claw Ring Saw Blades

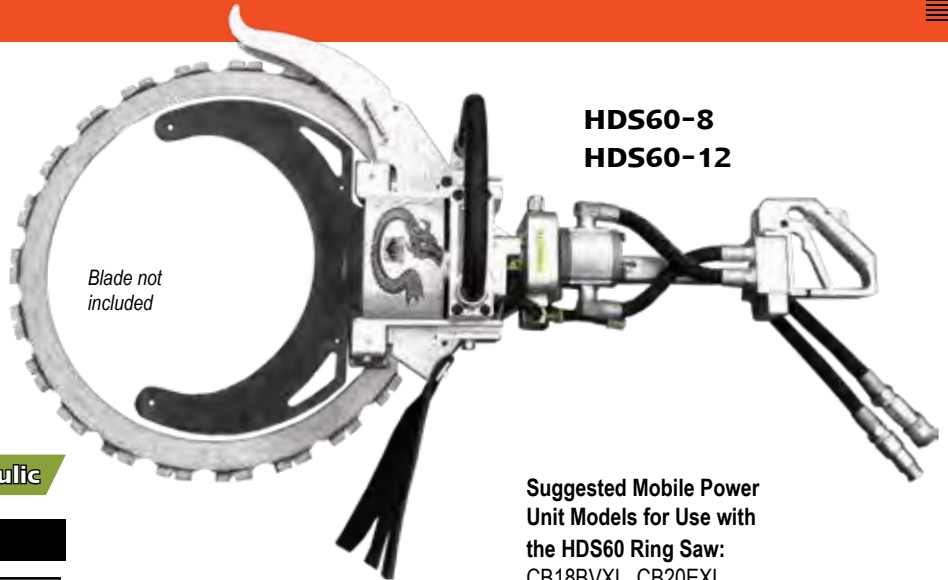
Mini-Dragon Ring Saw



DragonSaw



**CAUTION-
WET CUTTING ONLY**
Use only in precut material
to ensure safe operation.



**HDS60-8
HDS60-12**

Blade not included

Suggested Mobile Power Unit Models for Use with the HDS60 Ring Saw:
CB18BVXL, CB20EXL, CB21HXL, CB35BVXL

20" Blade Capacity

Hydraulic

HDS60 SPECIFICATIONS

PSI	2000 (2500 Max.)
Weight	29.8 lbs.
Connections	1/2" hose (approx 12" length) 1/2" fittings

FEATURES

- The ONLY hand saw capable of cutting up to 16" deep in concrete or block
- Best power transfer to blade-where it is needed
- 1/3 less cutting cost than chain sawing
- Eliminates over cuts on corners
- Up to three times faster than chain sawing
- Diamond blade life up to five times longer
- Light weight

SPECIFICATIONS (ALL DRAGONS)

Min Blade Diameter	16"
Max Blade Diameter	20"
16" Blade Cutting Depth	12"
20" Blade Cutting Depth	16"
Blade Cooling	Water cool only (no dry cutting)

20" Blade Capacity

Electric

EDS60 SPECIFICATIONS

Power Head	Weka RS30
Power	115V, 30A, 3200W 230V, 15A, 3200W
Overload	Electronic
Weight	34 lbs.

20" blade on gas & electric are for light duty materials only
*Include wear plate

DRAGON RING SAWS

Model #	Engine Motor Power	Power Source	Part #	Cat #	List Price
HDS60-8	8 GPM	Hydraulic	5801523	87796	\$8,042
HDS60-12	12 GPM	Hydraulic	5801535	53486	8,280
EDS60-115	115V, 30amp	Electric	5801533	46095	8,759
EDS60-230	230V, 15amp	Electric	5801536	53995	8,759



**EDS60-115
EDS60-230**

Blade not included

CE
Certified

DRAGON RING SAW ACCESSORIES

Description	Part #	Cat #	List Price
Wear Plate (not included with saw)	6061184	86515	\$143
Guide Roller	6061253	60574	299
#12 Drive Wheel without Groove	6061186	88528	325
#13 Drive Wheel with Groove	6061187	88560	325

Dragon Ring Saws

DIAMOND CHAIN SAWS



Includes 3/8" Sprocket. Chain and bar not included

Bar Capacity: 12" - 24"

Hydraulic

CSH24 FLUSH CUT DIAMOND CHAIN SAW DIAMOND PRODUCTS

Description	Part #	Cat #	Weight (lbs)	List Price
CSH24 Flush Cutting Hydraulic Chain Saw	5801010	55079	27	\$5,055

FEATURES

- Unique bar mount design allows you to flush cut to the wall, floor or ceiling
- Cuts 1.5" deeper than the competition
- Runs much quieter than gas powered saws
- Requires our own bar and chain-available in sizes 12", 16", 20" and 24"
- Minimum hydraulic supply: 10 GPM, maximum: 12 GPM



Bar Capacity: 12"/14"/ 16"

Electric

Includes 3/8" Sprocket.
Chain and bar not included

FEATURES

- High cycle and high productivity
- Longer lasting equipment and increased efficiency
- Lower maintenance
- Increased power that allows for maximum cutting
- Consistent performance without power fluctuations
- Rugged operation for less tool wear

WEKA CSE16HF HIGH FREQUENCY CHAIN SAW

Description	Part #	Cat #	Weight lbs)	List Price
CSE16HF Weka Chain Saw 12"/14" w/o Inverter	2600907	74774	21	\$4,841
WEKA FU6D Power Inverter 230V, 16amp (3700 Watt) 1PH 460V, 11.5 amp (6500 Watt) 3PH	2600920	84252	25	4,067



220V: 3200 Watt
110V: 3000 Watt

Bar Capacity: 12"

Electric

Includes 3/8" Sprocket.
Chain and bar not included

FEATURES

- 12" maximum cutting depth
- Electronic overload and thermal protection
- LED load indicator allows cutting at maximum efficiency
- Waterproof and dustproof switch
- Built-in levels for accurate cutting alignment

CSE12 ELECTRIC CHAIN SAW

Description	Part #	Cat #	Weight lbs)	List Price
CSE12 Electric Chain Saw	5801623	90886	12	
Sprocket for CSE12 (3/8" pitch)	6049160			78.35
12" Bar for CSE12 (3/8" pitch)	6049161			278
12" Chain for CSE12 (3/8" pitch)	DCCC5012PG			

CHAINS, BARS & SPROCKETS



**Diamond Products
Drive Sprocket**

CHAIN BAR & SPROCKETS DIAMOND PRODUCTS CSH24			
Description	Part #	Cat #	List Price
Link with Segment	6049133	81841	\$20
Drive Sprocket for CSH24 Chain Saw with 3/8" Pitch	6049138	84925	162
Chain assembly kit	6049132	81840	1,005
12" Bar with 3/8" Pitch	6049134	99278	168
16" Bar with 3/8" Pitch	6049135	84208	176
20" Bar with 3/8" Pitch	6049136	99285	191
24" Bar with 3/8" Pitch	6049137	18709	209

DIAMOND CHAIN - DIAMOND PRODUCTS CSH24			
Description	Part #	Cat #	List Price
12" Premium, fast cutting diamond chain with 62 segments (3/8" pitch)	DCC6212PG	80532	\$1,351
16" Premium, fast cutting diamond chain with 74 segments (3/8" pitch)	DCC7416PG	80694	1,594
20" Premium, fast cutting diamond chain with 86 segments (3/8" pitch)	DCC8620PG	81787	1,846
24" Premium, fast cutting diamond chain with 98 segments (3/8" pitch)	DCC9824PG	81789	2,102
12" Extreme Pro diamond chain with 62 segments for rugged heavy duty jobs (3/8" pitch)	DCCP6212PG	56913	1,400
16" Extreme Pro diamond chain with 74 segments for rugged heavy duty jobs (3/8" pitch)	DCCP7416PG	43048	1,651
20" Extreme Pro diamond chain with 86 segments for rugged heavy duty jobs (3/8" pitch)	DCCP8620PG	82607	1,904
24" Extreme Pro diamond chain with 98 segments for rugged heavy duty jobs (3/8" pitch)	DCCP9824PG	82657	2,155

Chains/Bars/Sprockets



CHAINS, BARS & SPROCKETS

CHAIN BAR & SPROCKETS - WEKA CSE16HF			
Description	Part #	Cat #	List Price
Drive sprocket for Weka Chain Saw	6049139	84950	\$62
Chain assembly kit	6049132	81840	1,005
Bar - 12" 3/8" pitch	6049140	52921	185
Bar - 14" 3/8" pitch	6049152	83143	218
Bar - 16" 3/8" pitch	6049141	84951	261



DIAMOND CHAIN - WEKA CSE16HF			
Description	Part #	Cat #	List Price
12" Diamond Chain Concrete Premium General Purpose with 58 Segments (3/8" pitch)	DCCG5812PG	52944	\$1,271
14" Diamond Chain Concrete Premium General Purpose with 58 Segments (3/8" pitch)	DCCG6414PG	82658	1,393
16" Diamond Chain Concrete Premium General Purpose with 70 Segments (3/8" pitch)	DCCG7016PG	84952	1,502
16" Diamond Chain Concrete Premium General Purpose with 64 Segments (3/8" pitch)	DCCS6416PG	37023	1,393



3/8" Sprocket for Weka Chain Saw



Chains/Bars/Sprockets



CHAIN & BAR SPROCKETS - COMPETITOR EQUIPMENT

Description	Part #	Cat #	List Price
DRIVE SPROCKET CHAIN SAW (with clip) 890 Saw	6049142	85323	\$405
DRIVE SPROCKET chain saw 823/853/880*	6049143	85310	206
* TRANS TORQUE 14MM SHAFT 8GPM 823/853 CHAIN SAWS	6049144	85313	209
* TRANS TORQUE 16MM SHAFT 12GPM 853+/880F4	6049145	40181	209
Chain assembly kit	6049132	81840	1,005
15" bar with 3/8" pitch for 853/880/890 chain saws	6049146	85314	235
19" bar with 3/8" pitch for 853/880/890 chain saws	6049147	40582	293
24" bar with 3/8" pitch for 853/880/890 chain saws	6049148	40654	346
30" bar with 3/8" pitch for 853/880/890 chain saws	6049149	40686	804



DIAMOND CHAIN - COMPETITOR EQUIPMENT

Description	Part #	Cat #	List Price
15" Premium, Competition-Style General Purpose Diamond Chain with 66 Segments (3/8" pitch)	DCCC6615PG	85322	\$1,433
19" Premium, Competition-Style General Purpose Diamond Chain with 78 Segments (3/8" pitch)	DCCC7819PG	40699	1,676
24" Premium, Competition-Style General Purpose Diamond Chain with 94 Segments (3/8" pitch)	DCCC9424PG	40755	1,999
30" Premium, Competition-Style General Purpose Diamond Chain with 110 Segments (3/8" pitch)	DCCC11030PG	40776	2,323
15" Extreme Pro diamond chain with 66 segments for rugged heavy duty jobs (special wide) (3/8" pitch)	DCCCP6615PG	82520	1,483
19" Extreme Pro diamond chain with 78 segments for rugged heavy duty jobs (special wide) (3/8" pitch)	DCCCP7819PG	82602	1,737
24" Extreme Pro diamond chain with 94 segments for rugged heavy duty jobs (special wide) (3/8" pitch)	DCCCP9424PG	82603	2,072

**Bushing
Not
Included**



**Clip
Included**



CHAIN & BAR SPROCKETS - COMPETITOR EQUIPMENT GAS & ELECTRIC

Description	Part #	Cat #	List Price
DRIVE SPROCKET for K950/K960/K970 chain saws	6049153	82489	\$148
DRIVE SPROCKET for 603/Redzaw, IC613/633/680 and Husq K6500	6049139	84950	62
12" BAR for ICS 613/633/680 and Husq K960/K970	6049140	52921	185
14" BAR for ICS 613/633/680/695 and Husq K950/K960/K970	6049152	83143	218
16" BAR for ICS 633/695 and Husq K950/K960/K970	6049141	84951	261
16" BAR for Stihl GS 461 Rock Boss	6049150	37025	269
12" Premium, fast cutting diamond chain with 58 segments (3/8" pitch)	DCCG5812PG	52944	1,271
14" Premium, fast cutting diamond chain with 64 segments (3/8" pitch)	DCCG6414PG	82658	1,393
16" Premium, fast cutting diamond chain with 70 segments	DCCG7016PG	84952	1,502
16" Premium, fast cutting diamond chain for Stihl saw with 64 segments	DCCS6416PG	37023	1,393

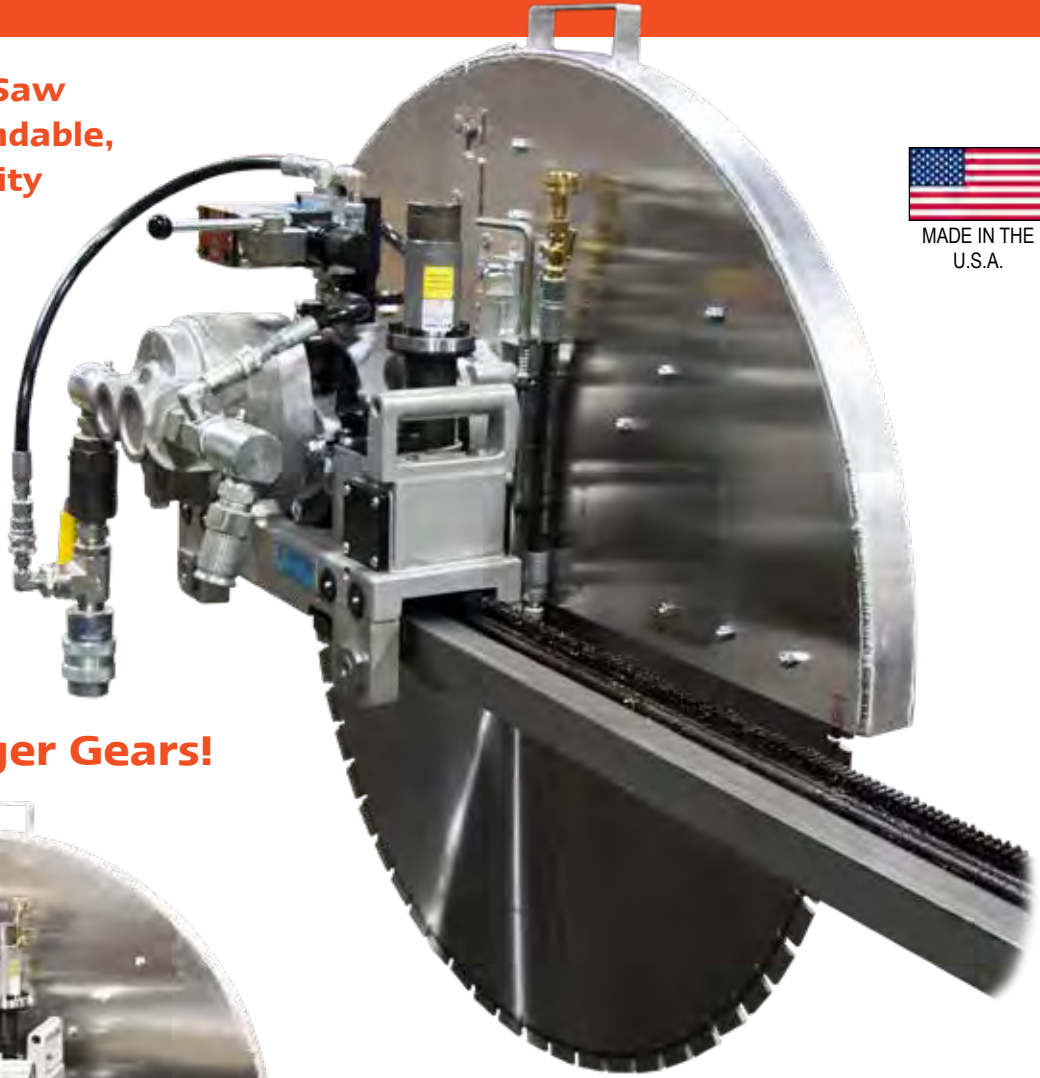


CC1600 WALL SAWING SYSTEMS

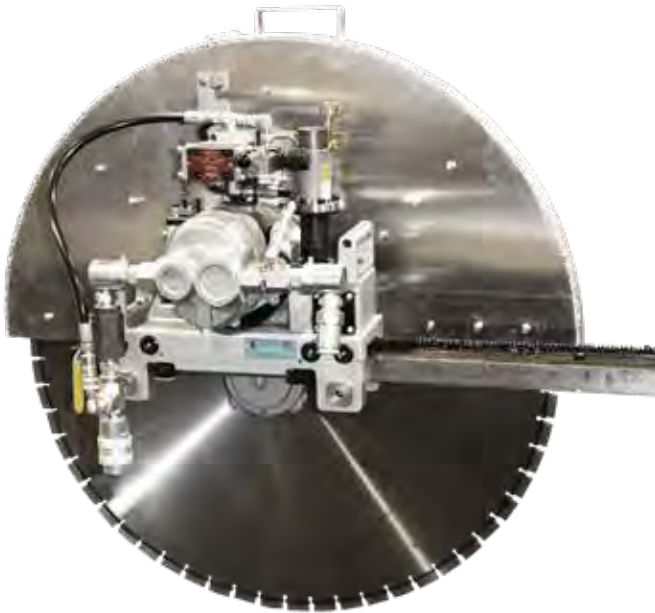
The Versatile Wall Saw
That Delivers Dependable,
Full Cutting Capability



MADE IN THE
U.S.A.



20% Stronger Gears!



CC1600 Wall Saw

54" Blade Capacity

Hydraulic

FEATURES

- Solid design and construction
- Three piece body for economical body repair
- Flush and angle cutting capability
- Available with 3.8 cubic inch or 5.2 cubic inch motor
- Saw comes standard with flush cut and complete tool kit
- Maximum flow and pressure: Max 30 GPM, Max 3000 psi
- 35 HP at maximum 30 GPM - 3000 psi

CC1600 WALL SAWS

DESCRIPTION	PART #	CAT #	List Price
CC1600-3.8PA Auto Travel Wall Saw Package * with tracks, 36" guard & aluminum track feet (LY style)	5800933	79609	\$25,122
CC1600-5.2PA Auto Travel Wall Saw Package* with tracks, 36" guard & aluminum track feet (LY style)	5800934	81683	25,263
CC1600-3.8PS Auto Travel Wall Saw Package* with stiffened track, 36" guard & steel track feet	5800931	78128	25,434
CC1600-5.2PS Auto Travel Wall Saw Package* with stiffened track, 36" guard & steel track feet	5800932	78495	25,570

*Packages include: wall saw head, 36" blade guard, 90" track, 51" track, 4 track feet and tool kit.



CC1600 WALL SAW HEADS & MOTORS

Description	Part #	Cat #	List Price
CC1600-3.8 Manual Travel Wall Saw Head with motor and tool kit	5800925	85207	\$16,950
CC1600-3.8 Auto Travel Wall Saw Head with motor and tool kit	5800921	78012	19,897
CC1600-5.2 Auto Travel Wall Saw Head with motor and tool kit	5800922	78416	20,032
Cross 3.8 cubic inch hydraulic motor	2600375	83144	1,064
Cross 5.2 cubic inch hydraulic motor	2600092	52158	1,502

CC1600 WALL SAW TRACK

Description	Part #	Cat #	Product Weight (lbs)	List Price
40" track without stiffener *	6050166	48574	17	\$1,781
51" track without stiffener *	6050167	47639	23	2,248
90" track without stiffener *	6050168	46856	37	3,185
120" track without stiffener *	6050169	47523	50	4,311
144" track without stiffener *	6050197	72750	100	5,215
40" track with stiffener **	6050161	48575	29	1,921
51" track with stiffener **	6050162	48576	37	2,436
90" track with stiffener **	6050163	48577	37	3,468
120" track with stiffener **	6050164	48578	82	4,687

* Use with standard aluminum track foot-Part # 4400106 – See below

** Use with steel track foot-Part # 6050130 – See below

CC1600 TRACK STIFFENER

Description	Part #	Cat #	Product Weight (lbs).	List Price
40" stiffener only	6050191	48579	15	\$136
51" stiffener only	6050192	48580	20	182
90" stiffener only	6050193	48581	33	271
120" stiffener only	6050194	48582	44	457

CC1600 TRACK FOOT SYSTEM & TRACK FEET

Description	Part #	Cat #	Product Weight (lbs).	List Price
Angle track foot assembly	6050212A	70917	12	\$344
Angle stiffener foot	6050212B	71084	8	294
Angle track & stiffener foot assembly	6050212C	71085	19	560
Steel track foot for stiffened track	6050130	48583	16	236
Stair track foot *	6050150	48585	16	282
Standard aluminum track foot	4400106	01942	8	204
Rotating track foot	3402123	80267	10	1,406
XL track foot assembly, aluminum for unstiffened track	4400417	74414	24	357

* Requires stiffened track

CC1600 OPTIONAL WALL SAW CARTS

Description	Part #	Cat #	Product Weight (lbs).	List Price
Cart for CC1600 Wall Saw	5800972	31060	140	\$2,049



Angle Track Foot Kit



Rotating Track Foot



Steel Track Foot



CC1600 WALL SAW BLADE GUARDS

STANDARD-ONE AND TWO PIECE GUARDS-2" WIDE



With Water Tubes

TWO-PIECE BLADE GUARDS WITHOUT WATER TUBES			
BLADE CAPACITY	TWO PIECE GUARD PART #	TWO PIECE GUARD CAT #	LIST PRICE
24"	6047038	48586	\$742
30"	6047039	48587	877
36"	6047040	47640	1,063
42"	6047041	48588	1,259
48"	6047042	48589	1,495
54"	6047043	48590	1,615
60"	6049013	83259	1,857
66"	6049011	86957	2,060

Designed for CC1600 & LY1500 Wall Saw.

TWO-PIECE BLADE GUARDS WITH WATER TUBES			
BLADE CAPACITY	2-PIECE GUARD PART #	2-PIECE GUARD CAT #	LIST PRICE
24"	6047000	02587	\$997
30"	6047003	02589	1,133
36"	6047006	02592	1,354
42"	6047009	02595	1,480
48"	6047012	02598	1,589
54"	6047015	02600	1,687
60"	6049014	64690	1,715
66"	6049012	28407	1,784

Designed for the LY360-35H wall saws with water directed through blade guard (instead of the arm).

CC1600 Guards



With Water Tubes

ONE-PIECE BLADE GUARDS WITHOUT WATER TUBES			
BLADE CAPACITY	ONE PIECE GUARD PART #	ONE PIECE GUARD CAT #	LIST PRICE
24"	6049085	44883	\$265
30"	6049086	66522	333
36"	6049087	44884	344
42"	6049088	45049	375
48"	6049089	45089	433
54"	6049090	45306	508
60"	6049091	45631	848
66"	6049092	45734	937

Designed for CC1600 and LY1500 wall saws.

ONE-PIECE BLADE GUARDS WITH WATER TUBES			
BLADE CAPACITY	ONE PIECE GUARD PART #	ONE PIECE GUARD CAT #	LIST PRICE
24"	6048978	63690	\$643
30"	6048979	63692	695
36"	6048980	63693	779
42"	6048981	63705	1,039
48"	6048982	63711	1,234
54"	6048983	63729	1,311
60"	6048984	63731	1,616
66"	6048985	63773	1,197

Designed for CC1600 and LY360-35H wall saws.



FLUSH CUT-ONE AND TWO PIECE, 1" WIDE



TWO-PIECE FLUSH CUT BLADE GUARDS WITHOUT WATER TUBES			
Blade Capacity	Part #	Cat #	List Price
24"	6047050	84081	\$523
30"	6047051	82128	647
36"	6047052	80042	779
42"	6047053	82127	957
48"	6047054	84082	1,130
54"	6047055	83770	1,440

Designed for CC1600 and LY1500 Wall Saw.

ONE-PIECE FLUSH CUT BLADE GUARDS WITHOUT WATER TUBES			
Blade Capacity	Part #	Cat #	List Price
24"	6049093	45872	\$371
30"	6049094	64406	494
36"	6049095	45900	494
42"	6049096	70066	538
48"	6049097	45917	624
54"	6049098	46101	761

Designed for CC1600 and LY1500 wall saws.



TWO-PIECE FLUSH CUT BLADE GUARDS WITH WATER TUBES			
Blade Capacity	Part #	Cat #	List Price
24"	6047020	48595	\$748
30"	6047021	46889	868
36"	6047022	47568	1,001
42"	6047023	02602	1,175
48"	6047024	47521	1,354
54"	6047025	02603	1,660

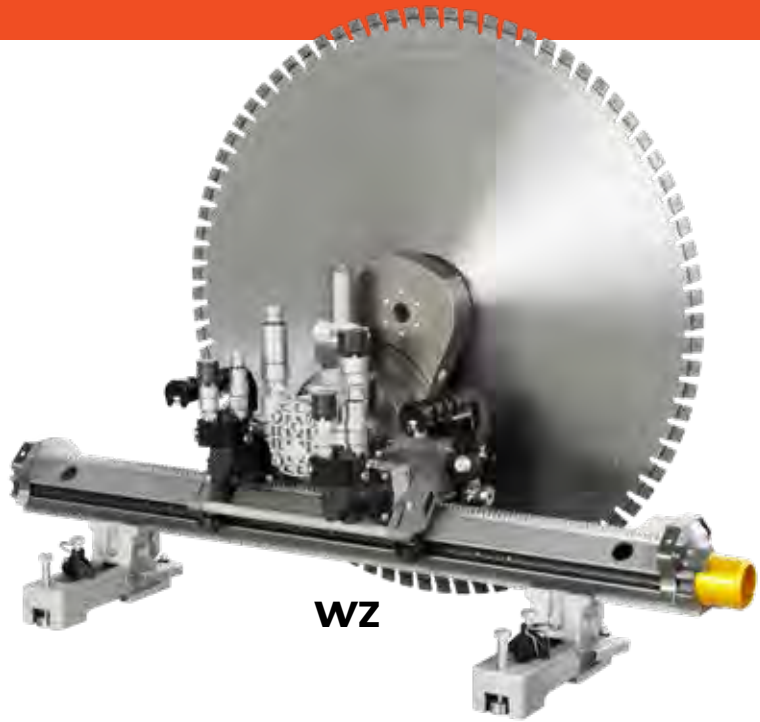
Designed for the LY360-35H wall saws with water directed through blade guard (instead of the arm).



HYDROSTRESS WALL SAW SYSTEMS



FZ-4S



WZ

- Available with Hydrostress track
- Usable on competition style tracks
- Fully automatic
- Quick release blade flange
- Gear drive available

HYDROSTRESS SAWS

HYDROSTRESS WALL SAW PACKAGES

DESCRIPTION	PACKAGE CONTENTS	Blade Capacity*	PART #	CAT #	List Price
FZ-4S Hydraulic Wall Saw Package	Hydraulic Wall Saw Head, (4) Aluminum Track Feet, (1) 86" Aluminum Track, (1) 43" Aluminum Track, 40" Blade Guard and Tool Kit	86"	5802227	47704	\$43,588
WZ Hydraulic Wall Saw Package	Hydraulic Wall Saw Head, (4) Aluminum Track Feet, (1) 86" Aluminum Track, (1) 43" Aluminum Track, 40" Blade Guard and Tool Kit	63"	5802249	30699	33,722

* When using the proper power unit with correct GPM



PPH40RR Power Pack

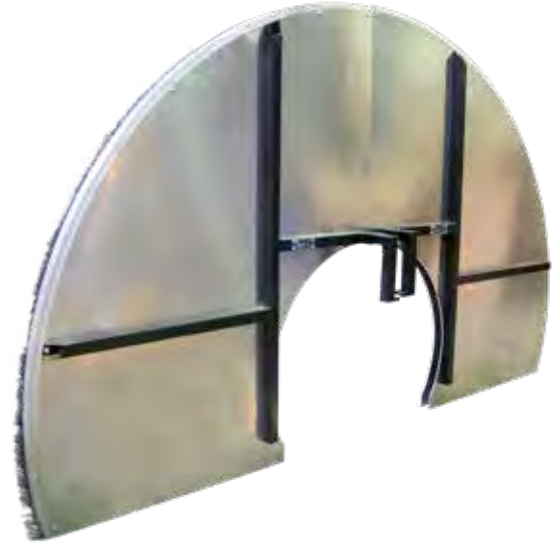
BS-2 Hydraulic Remote Control Unit

HYDROSTRESS WALL SAW MOTORS AND ACCESSORIES

ITEM	DESCRIPTION	PART #	CAT #	List Price
PPH40RR-460	460 Volt with 12 GPM stage	5802256	06685	\$58,687
PPH40RR-575	575 Volt with 12 GPM stage	5802257	12171	66,758
BS-2 Remote Control	Remote Control Unit for Hydrostress wall saws	5800112	48601	7,748



3 Piece



2 Piece

HYDROSTRESS BLADE GUARDS			
Description	Part #	Cat #	List Price
32" Blade Guard Flush cut & normal cut-All in one (3 piece)	3402551	31541	\$5,228
40" Blade Guard Flush cut & normal cut-All in one (3 piece)	3402552	80930	5,423
48" Blade Guard Flush cut & normal cut-All in one (3 piece)	3402553	30573	6,374
56" Blade Guard Flush cut & normal cut-All in one (2 piece) *	3401979	78577	4,185
63" Blade Guard Flush cut & normal cut-All in one (2 piece) *	3400102	01448	4,437
86" Blade Guard Flush cut & normal cut-All in one (2 piece) *	3400810	66558	9,529
Holder for 2-piece blade guard (hook)	3400746	47988	912

* Indicates blade guards that require blade guard holder: Part # 3400746 (3400746 not needed on WSE2226)

HYDROSTRESS TRACK			
Description	Part #	Cat #	List Price
43" Aluminum/Steel for FZ, DZ Saws	3402051	67409	\$2,220
86" Aluminum/Steel for FZ, DZ Saws	3402050	67408	4,437
43" Steel for FZ, DZ Saws	2500304	00373	3,500
86" Steel for FZ, DZ Saws	2500303	00372	7,040
Track Connector *	3402067	70393	471

* Locks two tracks (2500304 and 2500303 or 3402050 and 3402051) together.

HYDROSTRESS TRACK FEET			
Description	Part #	Cat #	List Price
Aluminum Flat Style for Aluminum Track	3402053	67407	\$529
Standard Steel for Steel Track	3400480	47702	664
Rotating Track Foot	3402123	80267	1,406



Rotating Track Foot

HYDROSTRESS SAWS



WSE1621 HIGH-CYCLE WALL SAW SYSTEMS



63" Blade Capacity

Electric

FEATURES

- Weighs less than other wall saws - 51.8 lbs. with head, 35 lbs. without
- More power water-cooled 20 kW HF motor
- Cut depths up to 28", blade capacity up to 63"
- Bi-Directional blade rotation
- Newly designed, ultra-light and robust, stay-level blade guard
- Compact drive motor and inverter with tool-free quick connection
- Innovative communication color interfaces
- Revolutionary P2® drive technology for extreme reliability without power loss

WSE1621 System Includes:

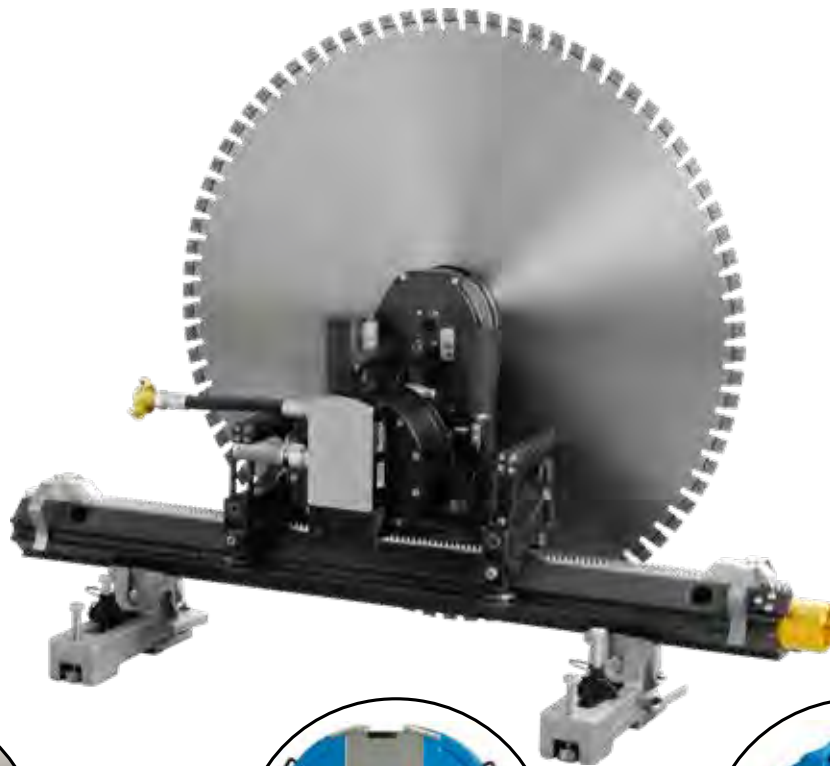
42" and 86" aluminum track, track connector, V-track aluminum feet, tool box, V-swivel track feet, V-rotary rail support complete, small trolley cart

SPECIFICATIONS

BLADE	
Maximum cutting depth	28"
Maximum blade capacity	63"
Maximum starter blade size	35"
Blade mount	Quick-release flange
MOTOR	
Water cooled high frequency motor	
Output at 32 amp	17 kW, 22.79 horsepower
400-480 Voltage	50 / 60 Hz
WEIGHT	
Wall Saw WSE1621	51.8 lbs.
Electric main drive motor	33 lbs.
Radio remote control	4 lbs.
Blade guard (39")	47 lbs.
Track - 43"	21 lbs.
Track - 65"	33 lbs.
Track 75"	36 lbs.
Track 86"	41lbs.
Trolley Cart	46 lbs.



WSE1621 WALL SAW SYSTEM			
Description	Part #	Cat #	List Price
WSE1621 Complete Wall Saw Includes: Main motor, Remote control unit, Trolley cart, 40" blade guard, 42" aluminum track, 86" aluminum track, Tools, 4 V-track aluminum feet	5801549	88831	\$70,439
WSE1621 ACCESSORIES			
V-Swivel/Angle Track Feet	3400479	74712	1,289
V-Swivel/Angle Track Feet	3401451	02465	972
Track Connector	3402067	70393	471
Universal adapter mount for main WSE1621 motor to use on CCE25/WSE14 Saws	3404368	68067	3,454
WSE1621 BLADE GUARDS			
32" Blade Guard	3401454	92284	5,545
48" Blade Guard	3401456	97006	6,440
56" Blade Guard (2-piece) Requires Hook Holder Part # 3400746	3401979	78577	4,185
Blade Guard Hook Holder	3400746	47988	912
63" Blade Guard (2-piece)	3400102	01448	4,437
63" Blade Guard Uptake	3401457	96966	1,141



Tool-free motor connection



Lightweight and sturdy blade guard



Compact, handy remote control with display



WSE2226 WALL SAW SYSTEMS



86" Blade Capacity

Electric

FEATURES

Quick Mount

- Quick mounting blade flanges make easy removal of blade
- Up to 40" maximum starter blade without being in the cut

Feed with Worm Drive System

- Self-locking-no brake necessary
- Improved seals

2 Handles

- Quick disconnect with 2 handles for fast removal and set up

2-stage gear box

- Largest \varnothing range in the industry (\varnothing 32" to 86")
- Safety clutch in front of gear box for better protection
- Simple re-engage lever in case of blade jams

6 Speeds/Blade Sizes:

32", 40", 48", 63", 70", 78", 86"

Powered by P2® Technology

- Integrated permanent magnets
- Reduced motor R.P.M. for reliability and low maintenance
- High level of efficiency cutting performance

SPECIFICATIONS

BLADE	
Maximum cutting depth	39"
Maximum blade capacity	86"
<i>Blade size over 60" in diameter requires 60mm flange system (Included with package)</i>	
Maximum starter blade size	40"
Blade mount	Quick-release flange
DESIGN	
Infinitely adjustable swivel arm rotates 360°	
2 carrying handles with locking function	
MOTOR	
Water cooled high frequency motor with 2 speed gearbox	
Output at 63 amp	26 kW, 35 HP
POWER PACK/INVERTER INPUT	
Voltage	460 Volt
Frequency	50Hz/60 Hz
Output Frequency	400 Hz
WEIGHT	
Wall Saw WSE2226 including feed motors without main drive blade motor	66 lbs.
Electric main blade motor only-detachable	53 lbs.
MINIMUM GENERATOR SIZE REQUIREMENT	
	50kW



WSE2226 WALL SAW SYSTEM			
Description	Part #	Cat #	List Price
WSE2226 High Cycle Wall Saw System Complete (includes 48" blade guard, wall saw cart and electric control unit with track)	5801534	46473	\$95,619
WSE2226 WALL SAW INDIVIDUAL PARTS			
Aluminum foot for Hydrostress track	3402053	67407	\$529
Aluminum/Steel track 43"	3402051	67409	2,220
Aluminum/Steel track 86"	3402050	67408	4,437
Rotating track foot	3402123	80267	1,406
WSE2226 ALL IN ONE FLUSH CUT & STANDARD BLADE GUARDS			
48" Blade Guard Flush cut & normal cut-All in one (3 piece)	3402553	30573	\$6,374
56" Blade Guard Flush cut & normal cut-All in one (2 piece)	3401979	78577	4,185
63" Blade Guard Flush cut & normal cut-All in one (2 piece)	3400102	01448	4,437
86" Blade Guard Flush cut & normal cut-All in one (2 piece)	3400810	66558	9,529



**All-in-one
3 Piece Guard**



**All-in-one
3 Piece Guard**

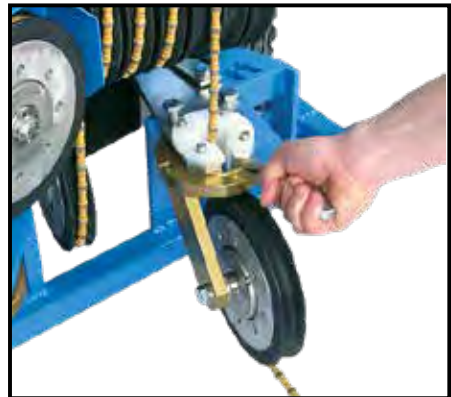
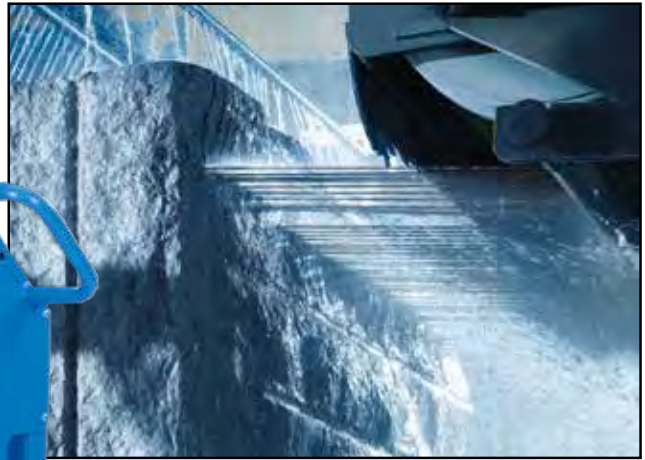


**Complete wall saw cart
assembly and control unit**



2 Piece Guard

WSE2226 Wall Saw



36 ft. Capacity

Hydraulic

FEATURES

- Patented multiple roll drive allows you to start running with minimum wire tension
- Cutting rate increases by 50% compared to conventional systems
- Virtually emission free
- Capable of large demolition jobs

SPECIFICATIONS

Wire Required	14 feet minimum
Max. Wire Storage	50 feet
Height	52" H x 29" W x 30" D
Operation Requirements	23-28 GPM Power Unit BS-2 Remote Control

HYDROSTRESS® SB WIRE SAW

Description	Part #	Cat #	Product Weight (lbs)	List Price
Complete Wire Saw with 40 CC Motor	5802228	60599	375	\$34,413
BS-2 Remote Control Unit (single pump) with 26' Hoses	5800112	48601	60	7,748



WCH14
HYDRAULIC



WCE14
ELECTRIC

36 ft. Capacity

Electric

Hydraulic

FEATURES

- Provides consistent tension and wire speed
- Modular saw disassembles into separate pieces
- Core drilling mount
- Patented drive roller system
- Fast, easy assembly for a one person operation
- Can be wall mounted

SPECIFICATIONS

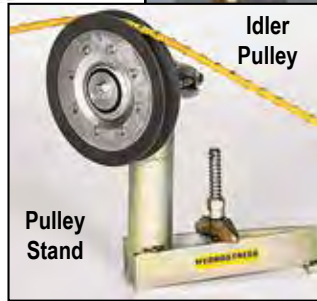
Max. Cut	Perimeter up to 36 feet
Wire Required	11 feet minimum
Max. Wire Storage	46-1/2 feet
Height	60" H x 25" W x 32" D
WCH14 (Hydraulic) Requirements	17-21 GPM Power Unit BS-2 Remote Control
WCE14 (Electric) Requirements	30 kW Power

HYDROSTRESS® WCH14 & WCE14 WIRE SAW

Description	Part #	Cat #	Product Weight (lbs)	List Price
WCH14 Complete Hydraulic Wire Saw with 30 CC Motor	5803019	93588	230	\$24,134
WCE14 Kit Without Main Motor, Inverter or Controller	5803023	57097		26,138
WCE14 Complete Electric Wire Saw with controller and inverter	5803022	53212	230	62,396
BS-2 Remote Control Unit (single pump) with 26' Hoses	5800112	48601	60	7,748

HYDROSTRESS Wire Saws

CCH25/CCE25 CIRCULAR/PLUNGE WIRE SAW



98" Max. Diameter

Electric

Hydraulic

FEATURES

- Simple and safe in the application
- Minimum installation time
- Economical, replaces expensive drill bits
- Wire sawing instead of drilling opens up new application possibilities.
- Elliptical shaped cutouts are possible.
- Simple tensioning of the wire
- Precise flexible water supply

SPECIFICATIONS

Min. Diameter	20"
Max. Diameter	98"
Max. Thickness	24"
Wire Requirement	11 feet minimum
Operation Requirement	13-16 GPM Power Unit BS-2 Remote Control

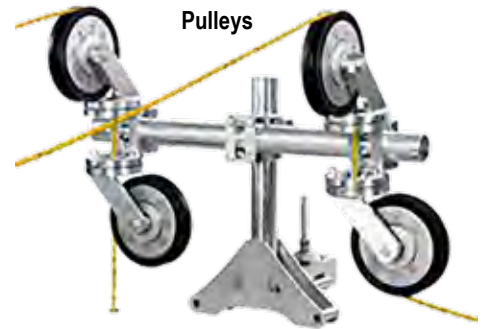
HYDROSTRESS® CC25 CIRCULAR WIRE SAW

Description	Part #	Cat #	Product Weight (lbs)	List Price
CCH25 Complete Wire Saw with 22 CC Motor	5802240	74442	296	\$17,186
BS-2 Remote Control Unit (single pump) with 26' Hoses	5800112	48601	60	7,748
CCE25 Kit for WSE1217 Circular Wire Saw without Main Motor or Controller/Inverter	5803026	67292	340	16,457

HYDROSTRESS® IDLER PULLEYS

Description	Part #	Cat #	List Price
8" Idler Pulley	3400896	73031	\$670
Idler Pulley Stand	3400895	73030	104

Universal Transition Pulleys



Plunge Wire Saw Pulley Assembly Features/Benefits:

- Sturdy Design
- Gentle Wire guidance thanks to plastic guide
- Optimal water guidance guaranteed
- Suitable for horizontal and vertical cuts
- Swivel rollers for correct wire guidance
- Fixed in 10" drilled hole
- Wire secured by protective plate

HYDROSTRESS® PLUNGE WIRE SAW PULLEY ASSEMBLY

Description	Part #	Cat #	List Price
Plunge Wire Saw Pulley Assembly Left Side	3402034	68223	\$4,750
Plunge Wire Saw Pulley Assembly Right Side	3402035	68224	4,750
Universal Transition Pulley	3404027	73394	5,150



Wire Saw Control Station



BS-2 Hydraulic Remote Control Unit



MADE IN THE U.S.A.

Unlimited depth

Hydraulic

FEATURES

- No vibration or noise and fast cutting speed
- Modular design provides infinite setup options
- Universal clamps provide infinite orientation of idler wheels
- Bases mount to concrete surface with anchor bolts

Includes

- (1) 8ft. column
- (1) 32" drive wheel,
- (3) mounting bases
- (2) 10" wheels, (2) 16" wheels
- (2) universal clamps
- (3) 3ft. (1) 11ft., (1) 6ft. schedule 80 pipe sections

SPECIFICATIONS

Wire Speed	0-5,000 ft/min-ininitely variable and reversible
Drive Motor	6 ft. stroke driven by Danfoss 1.93 cubic inch hydraulic motor
Sawing Angle	Set up vertical or horizontal from the same frame
Drive Motor	Char-Lynn 9.9 cubic inch hydraulic motor 525 rpm @ 25 GPM
Drive Wheel	32" diameter with neoprene lining in 'V' groove
Idler Wheels	10" and 16" special polyethylene wheels with sealed bearings. 10" and 16" idlers have 1-3/16" shaft for use with universal clamps
Pipe Mounting	For use with 2" schedule 80 pipe

WS25 WIRE SAW

Description	Part #	Cat #	List Price
WS25 Wire Saw for use with BS2	5800061	02248	\$14,124
WS25 Wire Saw for use with Control Station	5800669	09484	14,124
WS25 Flush Cut Wire Saw for Use with BS2	5800621	50169	14,124
WS25 Flush Cut Wire Saw for Use with Control Station	5800622	39314	14,124
Wire Saw Control Station	5800059	02247	15,384
BS-2 Remote Control Unit (Single Pump) with 25' hoses	5800112	48601	7,748

WS25 ACCESSORIES

Description	Part #	Cat #	List Price
16" idler wheel	6020025	02581	\$688
10" idler wheel	6020035	02583	474
Universal clamp	6020020	02578	277
Pipe mounting base	6020000	02565	283
24" drive wheel	6020051	79330	2,563
32" drive wheel	6020052	79331	3,608

WSE30-XLE HIGH-CYCLE WIRE SAW



MADE IN THE U.S.A.

WS30-XLE Wire Saws

49 ft wire capacity

Electric

FEATURES

- Single 25HP high-cycle Compact electric motor that reduces weight and size versus traditional electric motors
- High speed wire cutting that has an adjustable cutting speed up to 25m/s
- Single pneumatic cylinder with simple automatic take up and constant tensioning, completely adjustable by the operator
- 49 ft (15m) total wire take up
- Large storage capacity to make larger cuts without repositioning saw
- Single 16.50" poly-lined drive wheel with replaceable poly-liner. Liners available in 4 different grip levels
- Load adapter drive wheel to motor connection-reduced load on motor to prolong life
- Low entry pull side-reduces danger of broken diamond wire
- Fully positionable guide pulleys
- Low rolling resistance pneumatic tires for easy maneuvering on rough terrain
- Interior spray system allows water to be sprayed directly on drive wheels to cool while cutting
- Includes high-cycle, 460V - 7000W control station and hoses



Control Station

WSE0-XLE SPECIFICATIONS

Length	71"
Width	30"
Height	46"
Weight	780 lbs.

WSE30-XLE WIRE SAW

Model #/Description	Part #	Cat #	Product Weight (lbs)	List Price
WSE30-XLE High Cycle Wire Saw with 460V Control Station	5802295	80433	780	\$73,831

WIRE SAW ACCESSORIES



HT45 Hydraulic Crimping Tool

Makes it easy to repair or connect diamond wire more easily

HT45 Crimping Tool Jaws
(set of 2 pieces)

Measures:
1.100" wide x .355" thick x .830 high



Plastic Idler Wheel Assembly
10" and 16"

M-2 Wire Saw:

- 6' column
- (longer columns available, up to 120")
- Anchor base with wheels
- Roller carriage for increased stability
- Built-in power travel driven by the hydraulic wire saw motor

Wire Saw Head:

Requires 22-27 gpm
Requires BS-2 remote



Hand Held Crimping Tool



Screw Connectors



Crimp Jaws Only



Universal Tee



Universal Knuckle



Pipe Mounting Base



8" Idler Pulley



Wire Saw Clamp

WIRE SAW ACCESSORIES			
Description	Part #	Cat #	List Price
HT45 Hydraulic Crimping Tool	1400174	68408	\$1,849
HT45 Crimping Tool Jaws	1400297	72310	129
C-12 Hand Held Wire Cutters	1900073	00159	981
Screw Connectors	1400180	51176	43
Wire Connectors 3/8"	1400177	74910	31
Swivel Connectors	1400178	48176	99
8" Idler Pulley	3400870	77760	649
8" idler pulley with clamp	3400896	73031	670
Universal Tee	6020004	02569	137
Universal Knuckle	6020002	02567	220
Wire Saw Clamp	6020003	02568	152
Pipe Mounting Base <i>Does not come with Flange Bolts Part # 2900164 (4 needed per base)</i>	6020000	02565	283
Flange Bolts (For Part # 6020000, 6020002, 6020003, 6020004)	2900164	01293	3
Wire Saw 7 Wheel (90 degree bracket)	6075128	21504	5,911
10" Plastic Idler Wheel Assembly	6020035	02583	474
16" Plastic Idler Wheel Assembly	6020025	02581	688
Swivel Crimp Pin Tool (For Pin Removal)	860404	67966	1,030
Punch Replacement (For Part # 860404)	148130	75678	123
M-2 Wire Saw with Standard Anchor Base	5802248	99915	8,849
M-2 Large Web Anchor Base for Wire Saw	6020045	45606	557

Wire Saw Accessories



WS50-XLE HIGH-CYCLE WIRE SAW



86 ft wire capacity

Electric



MADE IN THE U.S.A.

FEATURES

- Twin 25hp high-cycle compact electric motors: reduces weight and size vs. traditional electric motors
- Twin pneumatic cylinder take up: simple automatic take up and constant tensioning completely adjustable by operator
- 86' (26m) total wire take up and storage: Large capacity storage for larger cuts and less down time repositioning saw
- Twin 16.50" diameter poly-coated drive wheels: Increases friction on cutting wire
- Load adapter drive wheel to motor connection : Reduces load on motor to prolong motor life
- Low entry pull side: Reduces danger of broken cutting wire
- Low friction, easily positionable wire guide pulley
- Fully positionable wire guide pulleys
- Multiple positioning/moving options: Load rated lifting rings, integrated for pockets, low resistance free rolling caster
- Interior water spray system : Allows operator to choose to spray water directly on idler wheels and cool cutting wire.



WS50-XLE WIRE SAW				
Model #/Description	Part #	Cat #	Product Weight (lbs)	List Price
WS50-XLE High Cycle Wire Saw with Control Unit	5801600	08922	2,040	\$113,642

WS50-XLE SPECIFICATIONS

Length	99"
Width	33.50"
Height	52"
Weight	1100 lbs. (saw), 200 lbs. (Power Panel)



Includes Control Unit and Cables



Diamond Wire
Page 38

CORE BORE



BITS



**WET
SEGMENTED**



**PRO WET
SEGMENTED**



**PRO SPECIALTY
SEGMENTED**



PRECAST

**THE LARGEST SELECTION OF
QUALITY GRADES AND STYLES**



TURBO



**SPECIALTY
TURBO**



**DRY HOLE SAW &
DRY VACUUM**



**CUSTOM
SPECIALTY**



CORE BORE INFORMATION

BIT R.P.M. CHARTS

Segmented Core Bit Recommended R.P.M. Reference Chart			
Bit Diameter	Minimum RPM	Maximum RPM	Ideal RPM
5/16"	7639	12736	10182
1/2"	4775	7960	6364
5/8"	3820	6368	5091
3/4"	3183	5307	4242
7/8"	2728	4549	3636
1"	2387	3980	3182
1-1/5"	1989	3317	2652
1-1/8"	2122	3538	2828
1-1/4"	1910	3184	2545
1-3/8"	1736	2895	2314
1-1/2"	1592	2653	2121
1-5/8"	1469	2449	1958
1-3/4"	1364	2274	1818
1-7/8"	1273	2123	1697
2"	1194	1990	1591
2-1/4"	1061	1769	1414
2-3/8"	1005	1676	1340
2-1/2"	955	1592	1273
2-3/4"	868	1447	1157
3"	796	1327	1061
3-1/4"	735	1225	979
3-1/2"	682	1137	909
4"	597	995	795
4-1/4"	562	937	749
4-1/2"	531	884	707
5"	477	796	636
5-1/2"	434	724	579
6"	398	663	530
6-1/4"	382	637	509
6-1/2"	367	612	490
7"	341	569	455
8"	298	498	398
9"	265	442	354
10"	239	398	318
12"	199	332	265
14"	171	284	227
16"	149	249	199
18"	133	221	177
20"	119	199	159
22"	109	181	145
24"	99	166	133
26"	92	153	122
28"	85	142	114
30"	80	133	106
32"	75	124	99
34"	70	117	94
36"	66	111	88
38"	63	105	84
40"	60	100	80
42"	57	95	76
44"	54	90	72
46"	52	87	69
48"	50	83	66

Carbide/Plate Cutter Core Bit Recommended R.P.M. Reference Chart			
Bit Diameter	Minimum RPM	Maximum RPM	Ideal RPM
1/2"	458	900	611
5/8"	367	900	489
3/4"	306	900	407
7/8"	262	900	349
1"	229	350	306
1-1/8"	204	350	272
1-1/4"	183	350	244
1-3/8"	167	350	222
1-1/2"	153	350	204
1-5/8"	141	350	188
1-3/4"	131	350	175
1-7/8"	122	350	163
2"	115	350	153
2-1/2"	92	350	122
3"	76	350	102
3-1/2"	65	350	87
4"	57	350	76
5"	46	350	61
6"	38	350	51

See page 170 for carbide core bits.

Dry Hole Saw and Dry Vacuum Core Bit Recommended R.P.M. Reference Chart			
Bit Diameter	Minimum RPM	Maximum RPM	Ideal RPM
7/8"	2300	6000	5457
1"	2300	6000	4775
1-1/4"	2300	6000	3820
1-1/2"	1600	5000	3183
1-3/4"	1600	5000	2728
2"	1200	5000	2387
2-1/4"	1200	5000	2122
2-1/2"	1200	5000	1910
3"	800	5000	1592
3-1/2"	800	5000	1364
4"	700	5000	1241
4-1/2"	700	5000	1103
5"	700	3500	993
6"	600	2500	828

See page 166 for dry core bits.

STAR BLUE & STANDARD GOLD WET SEGMENTED CORE BORE



Star Blue

Good quality diamond and good coring value.



STAR BLUE WET CORE BORE BITS		
SIZE	BOL Cat #	List Price
1"	09978	\$104
1-1/8"	09979	111
1-1/4"	09981	129
1-1/2"	09989	135
1-3/4"	10022	149
2"	10028	170
2-1/4"	10029	185
2-1/2"	10031	206
3"	10041	242
3-1/2"	10055	279
4"	10057	324
4-1/4"	10072	349
4-1/2"	10074	399
5"	10083	423
6"	10084	510
8"	10103	745
10"	10173	907

Resegmenting not available for Star Blue bits.

Standard Gold

Better quality diamond and better coring value.
Designed for average duty wet core drilling.



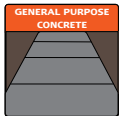
STANDARD GOLD WET CORE BORE BITS		
SIZE	SOH Cat #	List Price
2"	80143	\$252
2-1/4"	80145	267
2-1/2"	80146	297
2-3/4"	80149	322
3"	80153	324
3-1/4"	80156	398
3-1/2"	80157	407
4"	80160	430
4-1/4"	80161	474
4-1/2"	80166	534
4-3/4"	80177	552
5"	80182	575
5-1/4"	80183	655
5-1/2"	80187	676
6"	80193	697
6-1/4"	80194	788
6-1/2"	80195	949
7"	80196	1,023
8"	80197	1,093
9"	80200	1,331
10"	80201	1,434



Diamond Depth:
.335" (8.5mm)

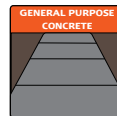


Diamond Depth:
.287" (7mm)



Specification

BOL-General purpose, cured concrete and hard materials



Specification

SOH- General purpose in hard materials

ORDERING INFORMATION:

All diameters are nominal. Exact tolerances upon request (Standard Gold).

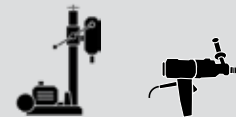
Core Bit Lengths: Up to 14" Diameter Core Bits Standard Core Length = 13"

16" Diameter Core bits Standard Core Length = 19" (Standard Gold).

Hub Sizes: 1-1/4" to 1-1/2" = 5/8"-11 threaded hub. 1-5/8" and up = 1-1/4"-7 threaded hub.

Star Blue Hub Sizes: 1" to 1-3/4" = 5/8"-11 threaded hub. 2" and up = 1-1/4"-7 threaded hub.

Available only with welded threaded hub. Not available with custom bonds.



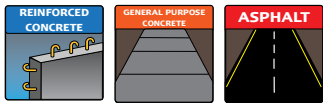
For use on mounted core rigs (all sizes) and hand held motors (3" and under)



HEAVY DUTY ORANGE WET SEGMENTED CORE BORE

Heavy Duty Orange

Excellent footage and drilling speed. Designed for all types of wet drilling in applications with light to moderate steel. Very high quality diamond and longer coring life.



H38F
H42Z **HOL** **H64L**

Specifications

HOL- General Purpose, Longer Life

H38F-Hard aggregate w/ reinforcement

H42Z-Hard materials, river rock w/reinforcement

H64L-Asphalt/Block



Diamond Depth:
.237" (6mm)

HEAVY DUTY ORANGE WET CORE BITS

SIZE	HOL Cat #	H38F Cat #	H42Z Cat #	H64L Cat #	Heavy Duty List Price	HOL Wide Space Cat #	Heavy Duty Wide Spaced List Price	Heavy Duty Open End Cat #	Heavy Duty Open End List Price
1/2"	05099	45547	95431	36273	\$167	---	---	81402	\$154
5/8"	05141	39237	73994	16875	172	---	---	81403	158
3/4"	05173	45548	05171	16877	185	---	---	72183	163
7/8"	05192	45549	05191	16886	193	---	---	81406	168
1"	04812	04809	21539	04810	200	---	---	28042	173
1-1/8"	04837	45550	83034	27000	205	---	---	23312	179
1-1/4"	15509	67903	23217	25596	210	---	---	25944	193
1-3/8"	04874	45552	83029	36274	219	---	---	16137	196
1-1/2"	15525	45554	23218	28619	224	---	---	05208	199
1-5/8"	04907	45555	15038	26414	227	---	---	16056	214
1-3/4"	04910	45556	23219	28621	239	---	---	16138	215
1-7/8"	04920	45561	78415	20934	262	---	---	16145	239
2"	15479	45563	20301	04934	274	20102	\$248	05212	248
2-1/4"	04959	45564	80125	04957	294	28637	267	16148	263
2-1/2"	00004	37094	18343	04976	329	05258	301	05216	299
2-3/4"	04992	45565	90035	28623	351	05260	324	16160	318
3"	00005	45567	05011	05013	388	05263	361	05220	352
3-1/4"	05032	45568	21540	28624	445	28671	393	16189	406
3-1/2"	00006	45569	24060	28625	448	22164	420	05224	409
4"	00007	45571	21917	05060	517	05269	464	05228	473
4-1/4"	05079	45572	58138	05077	558	28178	504	26118	511
4-1/2"	00008	45574	21541	05086	638	22165	582	27383	587
5"	00009	45575	21542	05107	678	05273	625	05232	621
5-1/2"	05117	45576	21543	28626	784	24610	733	16194	728
6"	00010	45577	18150	05131	818	05278	765	05238	752
6-1/4"	05144	99115	70897	05143	913	28638	861	27782	846
6-1/2"	05151	45578	78417	05150	1,132	28672	1,039	66853	1,064
7"	05163	45582	18151	24977	1,148	20415	1,090	05242	1,076
8"	05183	45585	18152	05180	1,190	05281	1,138	05246	1,086
9"	05199	45586	30302	28627	1,438	20055	1,386	05249	1,312
10"	04822	45588	44174	04820	1,463	21475	1,392	05206	1,320

ORDERING INFORMATION All bits may be ordered with custom bonds

Note: All diameters are nominal. Exact tolerances upon request.

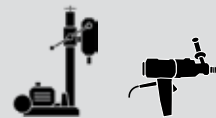
Core Bit Lengths: 1/2" to 7/8" Diameter Core Bits Standard Core Length= 12",

1" to 14" Diameter Core Bits Standard Core Length = 13"

16" Diameter Core bits Standard Core Length = 19"/18" Diameter Core Bits Standard Core Length = 22"

20" to 30" Diameter Core bits Standard Core Length = 23" Note: Any length available upon request.

Hub Sizes: 1/2" to 1-1/2" = 5/8"-11 threaded hub. 1-5/8" and up = 1-1/4"-7 threaded hub



For use on mounted core rigs (all sizes) and hand held motors (3" and under)

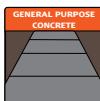
H.D. Orange

PREMIUM BLACK WET SEGMENTED CORE BORE

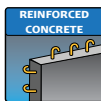


With **VERY HIGH** diamond concentration, **Premium Black** gives maximum footage and drilling speed in all types of wet drilling applications. **Good in moderate to high steel applications.** Highest quality diamond and longest coring life

Premium Black



POL



P38Z



P64L

Specifications

POL-General Purpose, Longest Life

P38Z-Hard aggregate with reinforcement

P64L-Asphalt/Block



Diamond Depth:
.237" (6mm)

PREMIUM BLACK WET CORE BITS

SIZE	POL Cat #	P38Z Cat #	P64L Cat #	Premium Black List Price	POL Wide Space Cat #	Premium Black Wide Spaced List Price	Premium Open End Cat #	Premium Open End List Price
1/2"	05826	05824	28585	\$169	---	---	81413	\$175
5/8"	05917	05915	61808	174	---	---	81415	181
3/4"	05962	05960	28587	197	---	---	81416	196
7/8"	06004	06001	25115	205	---	---	06123	199
1"	05293	05289	19871	209	---	---	06022	204
1-1/8"	05338	05334	64328	213	---	---	06030	207
1-1/4"	05381	05376	22003	239	---	---	06032	215
1-3/8"	05404	05401	36271	242	---	---	17181	226
1-1/2"	05441	05432	05438	246	37393	\$198	06035	230
1-5/8"	05472	05469	36267	288	---	---	17198	269
1-3/4"	05483	05478	28595	295	06157	265	18673	272
1-7/8"	05509	05506	28596	304	81411	274	17200	278
2"	05529	05518	05525	313	18517	281	06041	284
2-1/4"	05571	05567	23771	336	06159	303	24152	306
2-1/2"	05607	05599	28597	350	06160	343	06051	319
2-3/4"	05629	18408	28598	401	20036	367	24153	366
3"	05661	05647	21246	449	06165	416	06062	414
3-1/4"	05688	05685	05686	487	28609	451	36266	452
3-1/2"	05709	05699	28599	499	06169	483	06077	456
4"	05761	05745	05753	616	06175	542	06087	507
4-1/4"	05791	05784	05788	658	28610	592	06095	612
4-1/2"	05805	05801	23173	716	18400	675	06097	667
5"	05843	05834	24580	783	06182	718	06105	725
5-1/2"	05867	05862	28600	907	18754	842	06109	847
6"	05892	05882	05886	942	06187	879	06114	877
6-1/4"	05921	05920	28601	1,015	28611	955	20662	946
6-1/2"	05927	16758	28602	1,205	17898	1,149	30213	1,132
7"	05945	05938	28603	1,272	18209	1,205	06118	1,190
8"	05984	05973	05980	1,312	18210	1,254	06121	1,208
9"	06013	06010	28604	1,597	18211	1,533	06124	1,472
10"	05306	05300	28605	1,653	18035	1,587	06025	1,522

ORDERING INFORMATION

All bits may be ordered with custom bonds

Note: All diameters are nominal. Exact tolerances upon request.

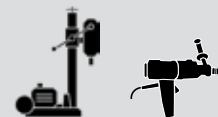
Core Bit Lengths: 1/2" to 7/8" Diameter Core Bits Standard Core Length= 12",

1" to 14" Diameter Core Bits Standard Core Length = 13"

16" Diameter Core bits Standard Core Length = 19"/18" Diameter Core Bits Standard Core Length = 22"

20" to 30" Diameter Core bits Standard Core Length = 23" Note: Any length available upon request.

Hub Sizes: 1/2" to 1-1/2" = 5/8"-11 threaded hub. 1-5/8" and up = 1-1/4"-7 threaded hub



For use on mounted core rigs
(all sizes) and hand held motors
(3" and under)

IT DOESN'T GET ANY BIGGER THAN CORE BORE.

Core Bore is the name you need to know when core drilling. We offer large diameter sizes up to 78" and custom-made Core Bore to fit your drilling applications.



A-FLANGE



BOLT-ON



SOLID BACK

BIG BITS WITH BIG HUB OPTIONS:

- A-Flange & C-Flange - Special drill mounts
- Solid Back - For heavy duty applications
- Bolt-On - Allows removal of hub to access the core
- Spoke Back - Light weight with inside radial water sprayer



SPOKE BACK



MADE IN THE
U.S.A.

LARGE DIAMETER WET SEGMENTED CORE BORE

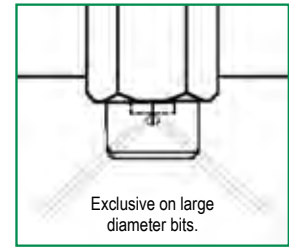


HEAVY DUTY ORANGE LARGE DIAMETER WET CORE BITS - SOLID BACK

SIZE	SOLID BACK HOL Cat #	SOLID BACK List Price	Reseg List Price
12"	04853	\$1,675	\$1,340
14"	04882	2,069	1,654
16"	04903	2,364	1,891
18"	04918	2,690	2,152
20"	04947	2,934	2,347
22"	04954	3,647	2,917
24"	04968	4,346	3,477

PREMIUM BLACK LARGE DIAMETER WET CORE BITS - SOLID BACK

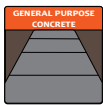
SIZE	SOLID BACK POL Cat #	SOLID BACK List Price	Reseg List Price
12"	05361	\$1,848	\$1,479
14"	05417	2,282	1,826
16"	05462	2,527	2,022
18"	05498	2,959	2,367
20"	05536	3,258	2,606
22"	05562	3,965	3,172
24"	05584	4,633	3,707



Exclusive on large diameter bits.

Large Diameter Wet Core Bits

Large diameter bits include a spoke back hub that has a built in 45 degree radial water sprayer which gets water to the tube and segments where it is needed.



HOL-General Purpose, Long Life

HEAVY DUTY ORANGE LARGE DIAMETER WET CORE BITS

SIZE	Spoke Hub HOL Cat #	Spoke Hub List Price	A-Flange HOL Cat #	A-Flange List Price	Reseg List Price
12"	04511	\$1,984	49476	\$1,758	\$1,340
14"	78448	2,427	53460	2,172	1,654
16"	57027	2,769	17465	2,483	1,891
18"	69993	3,145	70531	2,824	2,152
20"	04947	2,934	18630	3,080	2,347
22"	80331	3,856	30037	3,829	2,762
24"	03644	4,780	50659	4,563	3,477
26"	04986	5,320	25128	5,587	4,256
28"	04996	5,926	66168	6,223	4,741
30"	05023	6,593	63640	6,923	5,274
32"	05031	7,118	48507	7,474	5,694
34"	28641	7,689	51537	8,073	6,151
36"	25778	8,304	02976	8,719	6,643
38"	28642	8,855	32975	9,297	7,084
40"	28643	9,297	50502	9,762	7,438
42"	28644	10,266	33239	10,779	8,213
44"	41642	10,778	33247	11,317	8,623
46"	41643	11,319	---	---	9,056
48"	28055	17,083	33331	17,937	9,586
54"	41915	20,091	27188	21,096	16,073
56"	35251	21,151	33335	22,208	16,810
60"	25046	22,781	33348	23,920	17,980

Spoke-back standard on bits 25" diameter and up.

Larger sizes are available. Please consult the factory for more information.

ORDERING INFORMATION:

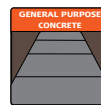
All bits may be ordered with custom bonds.

Examples of Standard Core Length: 20" to 29" = 23", 30" to 72" = 35"

Note: Lengths longer than the standard are quoted on an individual basis.

Hub Sizes: •1-1/4"-7 threaded hub unless otherwise specified. •1-7/8"-7 hub with 1-1/4"-7 adapter included on bits above 36".

Note: All diameters are nominal. Exact tolerances upon request.



POL-General Purpose, Longest Life

PREMIUM BLACK LARGE DIAMETER WET CORE BITS

SIZE	Spoke Hub POL Cat #	Spoke Hub List Price	A-Flange POL Cat #	A-Flange List Price	Reseg List Price
12"	09546	\$2,566	49697	\$1,941	\$1,479
14"	70661	2,643	78290	2,396	1,826
16"	56788	2,937	09758	2,653	2,022
18"	56858	3,418	93221	3,107	2,367
20"	55440	3,764	48928	3,421	2,606
22"	59823	4,161	28954	4,163	3,172
24"	56846	4,953	29081	4,864	3,707
26"	05622	5,633	29170	5,915	4,506
28"	05632	6,222	34032	6,533	4,978
30"	05671	6,946	32980	7,294	5,557
32"	05682	7,490	35952	7,864	5,694
34"	05696	8,071	---	---	6,457
36"	05721	8,680	31623	9,115	6,944
38"	05740	9,355	34031	9,824	7,485
40"	24832	9,729	72867	10,215	7,783
42"	05781	11,160	33569	11,718	8,928
44"	05797	11,243	---	---	8,994
46"	32564	13,065	---	---	9,411
48"	05817	17,570	33585	18,448	9,976
54"	33621	20,428	33789	21,449	16,342
56"	05871	22,048	33809	23,151	17,639
60"	20691	23,049	34012	24,202	18,440

Bolt-On Pricing is the Same as Spoke Back Pricing



Super Premium Red

Higher quality diamond with wide spaced segments for **fast drilling in moderate steel**. Tall segment for **Longer life**.



Diamond Depth:
.350" (8.89mm)

Specification
SPOL- General concrete



Pro Blue

Very high quality diamond with wide spaced segments for **very fast drilling in heavy steel and medium aggregate**.



Diamond Depth:
.237" (6mm)

Specification
TOL- General concrete



Supreme Silver

Highest high quality diamond concentration meant for smaller holes in **very heavy steel and medium aggregate**.



Diamond Depth:
.237" (6mm)

Specification
UOF-General concrete with heavy steel
UOL-General concrete, fast drilling

Super Premium Wet Core Bits

SIZE	SPOL Cat #	List Price	Open End Cat #	Open End List Price
1"	06629	\$223	17818	\$185
1-1/4"	21128	255	17855	241
1-1/2"	06639	263	17865	251
1-3/4"	06640	320	34429	295
2"	06641	339	70389	311
2-1/2"	06647	373	06686	344
3"	06650	482	30001	447
3-1/2"	06652	520	22377	478
4"	06654	658	70466	551
4-1/2"	06660	765	75339	716
5"	06662	847	73215	791
6"	06665	1,008	06700	939
7"	06670	1,347	17923	1,266
8"	06672	1,464	77867	1,360
9"	06676	1,743	17947	1,615
10"	06631	1,889	17950	1,754

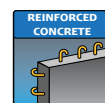
Pro Blue Wet Core Bits

SIZE	TOL Cat #	List Price	Open End Cat #	Open End List Price
1"	06712	\$237	06920	\$192
1-1/8"	06725	242	32200	227
1-1/4"	06732	272	17687	259
1-3/8"	20645	276	32201	266
1-1/2"	06740	282	06923	271
1-5/8"	06743	312	32207	289
1-3/4"	19920	328	17701	303
1-7/8"	81099	355	32233	315
2"	06753	360	06927	326
2-1/2"	06760	407	06930	374
3"	06771	508	06935	463
3-1/2"	06781	565	06939	519
4"	06791	689	06941	583
4-1/2"	06802	809	06943	725
5"	06808	921	06946	862
5-1/2"	06812	968	48095	938
6"	06819	1,032	06949	964
6-1/2"	06824	1,315	48101	1,016
7"	06826	1,427	36275	1,343
8"	06833	1,630	06951	1,522
9"	06841	1,905	36276	1,776
10"	06715	2,061	06921	1,820

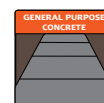
Supreme Silver Wet Core Bits

SIZE	UOF Cat #	UOL Cat #	List Price
1/2"	07190	07191	\$208
5/8"	07200	13698	213
3/4"	07208	07209	238
7/8"	07220	07222	245
1"	07097	07098	251
1-1/8"	07110	07113	253
1-1/4"	07120	07121	282
1-3/8"	07127	14699	288
1-1/2"	07137	07138	306
1-5/8"	07146	20718	358
1-3/4"	07154	07155	363
1-7/8"	07160	24067	372
2"	07165	07166	399

Our **Super Premium Red & Pro Blue** bits are designed with the professional driller in mind. They have a wider spaced segment design which delivers more power to the cutting surface. This additional power results in faster coring and higher productivity.



SPOL
TOL
UOL



SPOL
TOL
UOL

ORDERING INFORMATION:

All bits may be ordered with custom bonds

Note: All diameters are nominal.
Exact tolerances upon request.

Core Bit Lengths:

1/2" to 7/8" Diameter Core Bits Standard Core Length= 12"
Up to 14" Diameter Core Bits Standard Core Length = 13"

Hub Sizes: 1/2" to 1-1/2" = 5/8"-11 threaded hub.
1-5/8" and up = 1-1/4"-7 threaded hub.



For use on mounted core rigs (all sizes) and hand held motors (3" and under)



Heavy Duty Orange

Made to resist segment failure from coring through pre-tensioned wire in precast materials. Very high quality diamond and long coring life.



Diamond Depth:
.237" (6mm)

Specification
HOL-General
Concrete, Fast Coring,
Long Life



Premium Black

Made to resist segment failure from coring through pre-tensioned wire in precast materials.

Very high quality diamond and longest coring life.

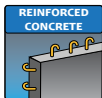


Diamond Depth:
.237" (6mm)

Specification
POL-General Concrete,
Fast Coring, Longest
Life

Heavy Duty Orange Precast Core Bits		
SIZE	HOL Cat #	List Price
1"	41210	\$180
1-1/4"	41211	235
1-1/2"	41212	244
1-3/4"	41213	267
2"	41214	283
2-1/2"	41215	371
3"	41216	437
3-1/2"	41217	506
4"	41218	587
4-1/2"	41219	719
5"	41220	767
6"	41221	923
7"	41222	1,299
8"	41223	1,347
9"	41224	1,630
10"	41225	1,643

Premium Black Precast Core Bits		
SIZE	POL Cat #	List Price
1"	41226	\$208
1-1/4"	41227	266
1-1/2"	41228	278
1-3/4"	41229	334
2"	41230	355
2-1/2"	41231	396
3"	41232	508
3-1/2"	41233	564
4"	41234	697
4-1/2"	41235	813
5"	41236	886
6"	41237	1,068
7"	41238	1,441
8"	41239	1,489
9"	41240	1,808
10"	41241	1,875



HOL
POL
PRECAST

ORDERING INFORMATION:

All bits may be ordered with custom bonds

Note: All diameters are nominal.
Exact tolerances upon request.

Core Bit Lengths: Standard Core Length = 13"
Note: Any length available upon request.

Hub Sizes: 1" to 1-1/2" = 5/8"-11 threaded hub.
1-5/8" and up = 1-1/4"-7 threaded hub.



For use on mounted core rigs
(all sizes) and hand held motors
(3" and under)



TURBO WET CORE BORE



Star Blue
Good quality diamond and good coring value. Serrated segment for faster coring



Diamond Depth: .335" (8.5mm)

Specification
TBOWL- General purpose, moderate steel



Heavy Duty Orange
Very high quality diamond and longer coring life in **medium aggregate concrete with moderate steel.** Serrated segment for faster coring.

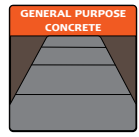


Diamond Depth: .237"

Specification
THOWL- General purpose Moderate steel Longer Life

Star Blue Turbo Bits		
SIZE	TBOWL Cat #	List Price
2"	32955	\$151
2-1/2"	10186	185
3"	10237	208
3-1/2"	10238	236
4"	10266	253
4-1/2"	10272	262
5"	10290	336
6"	10305	413
8"	10307	706
10"	10323	752
12"	23251	1,092

Heavy Duty Orange Turbo Bits		
SIZE	THOWL Cat #	List Price
1-1/2"	06885	\$191
1-3/4"	35416	238
2"	06888	260
2-1/4"	06889	273
2-1/2"	06893	309
3"	06896	356
3-1/4"	93299	402
3-1/2"	06898	428
4"	06901	474
4-1/4"	06902	601
4-1/2"	06905	618
5"	06907	631
5-1/2"	23868	780
6"	06910	831
7"	06911	947
8"	06914	1,082
9"	06915	1,176
10"	06880	1,289
12"	06882	1,520
14"	65118	2,062
16"	38999	2,468



**TBOWL
THOWL**



Segment Top View
Serrated segment design for less surface to surface contact

ORDERING INFORMATION:
Note: All diameters are nominal. Exact tolerances upon request.

Core Bit Lengths: Standard Core Length = 13"
Note: Any length available upon request.

Hub Sizes: 1" to 1-1/2" = 5/8"-11 threaded hub.
1-5/8" and up = 1-1/4"-7 threaded hub.

For use on mounted core rigs (all sizes) and hand held motors (3" and under)



Premium Black
Highest quality diamond and longest coring life in **medium aggregate concrete with heavy steel.**
Serrated segment for faster coring.



Diamond Depth:
.237"

Specification
TPOWL- General purpose with high steel, Longest Life



Super Premium + Red
High diamond concentration and quality for very long life. **Fastest coring bit in various applications with heavy steel.** Extra high diamond depth of .400" for the longest life and fastest core.



Ribbed segment design for a faster cut-saving you time and money



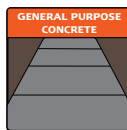
Segment Top View

Diamond Depth:
.400"

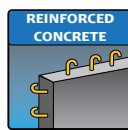
Specifications
TSPOL-General purpose moderate steel,
TSP38L-Hard aggregate, fast coring
TSP64L-Asphalt & block, fast coring
TSPSAG3+-Fast coring in hard aggregate with moderate steel

Premium Black Turbo Bits		
SIZE	TPOWL Cat #	List Price
1-1/2"	06957	\$223
1-5/8"	76893	243
1-3/4"	30049	258
2"	06960	299
2-1/4"	06962	313
2-1/2"	06965	334
3"	06969	401
3-1/4"	44618	439
3-1/2"	06972	499
4"	06974	518
4-1/4"	06977	636
4-1/2"	06978	692
5"	06979	740
5-1/2"	06981	850
6"	06982	920
7"	06987	1,148
8"	06988	1,156
9"	16094	1,325
10"	06955	1,479
12"	06956	1,627
14"	23026	2,363
16"	24481	2,754

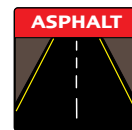
Super Premium Red Turbo Bits					
SIZE	TSPOL Cat #	TSP38L Cat #	TSP64L Cat #	TSPSAG3+ Cat #	List Price
2"	84820	45632	17056	77374	\$339
2-1/2"	84821	45633	84853	77774	373
3"	84822	54702	17057	77219	482
3-1/2"	84823	58156	20939	77882	520
4"	84824	45634	84856	77474	593
4-1/2"	84825	45635	20942	78400	765
5"	84826	45639	17058	77475	847
6"	84827	58158	17063	77476	1,008
7"	84828	45642	20943	78082	1,347
8"	84829	45644	20945	77372	1,464
9"	84830	45647	20946	78171	1,743
10"	84831	45650	84863	77373	1,889



SPOL
TPOWL



TSP38L
TSPSAG3+
TPOWL



TSP64L

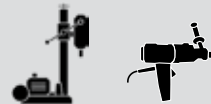
ORDERING INFORMATION:

All bits may be ordered with custom bonds

Note: All diameters are nominal.
Exact tolerances upon request.

Core Bit Lengths: Standard Core Length = 13"
Note: Any length available upon request.

Hub Sizes: 1" to 1-1/2" = 5/8"-11 threaded hub.
1-5/8" and up = 1-1/4"-7 threaded hub.



For use on mounted core rigs (all sizes) and hand held motors (3" and under)



Great White

The Great White Core Bore bit is sure to chew a hole right through concrete with the specialized diamond 'Shark-Tooth' segments. These pointed segments offer fast coring and long life.



'Shark-Tooth' segment offers fast coring and long life due to the pointed shape and cutout.



Profile view of the 'Shark-Tooth' segment

Specifications:

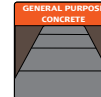
GWOL - Fast coring in general purpose concrete with medium aggregate and reinforcement

GWSL - Fast coring in critically hard concrete with medium aggregate and reinforcement

GREAT WHITE CORE BORE BIT				
Size	Part #	GWOL Cat #	GWSL Cat #	List Price
2"	BGW2000	80088	84761	\$346
2-1/2"	BGW2500	80089	84763	384
3"	BGW3000	80094	84292	495
3-1/2"	BGW3500	80095	29694	549
4"	BGW4000	80098	84295	677
4-1/2"	BGW4500	80100	29856	787
5"	BGW5000	80101	84764	862
6"	BGW6000	80102	84304	1,037
8"	BGW8000	80103	30725	1,442
10"	BGW10000	80105	42952	1,820
12"	BGW12000	80106	48611	2,033



CMD



GWOL



GWSL

CMD

COMMANDER

Very high quality diamond with V-Shaped segments for the fastest coring right out of the box in reinforced concrete



Profile view of Commander segment

Specification

GMD - Reinforced Concrete, Fast Coring, Long Life



COMMANDER Core Bits		
SIZE	CMD Cat #	List Price
2"	71197	\$339
2-3/4"	74895	431
3"	71198	485
3-1/2"	77367	539
4"	74513	664
4-1/4"	77370	709
4-1/2"	77371	772
5"	74816	845
6"	71200	1,017
7"	78567	1,373
8"	77274	1,414
9"	83384	1,518
10"	77275	1,621
11"	81866	1,717
12"	71202	1,993
14"	98953	2,237
16"	71203	2,723
*22"	01584	4,860
*24"	68967	5,342



THINWALL HANDHELD WET CORE BORE



SPECIFICATIONS:

POL & UOL-General purpose, fast coring

P38Z & U38Z-Fast coring in harder materials and stone



Measurements of Thinwall Core Bits			
Outside Diameter	Inside Diameter	Outside Diameter	Inside Diameter
1/2"	.330	1-3/8"	1.200
5/8"	.450	1-1/2"	1.325
3/4"	.575	1-5/8"	1.450
7/8"	.700	1-3/4"	1.680
1"	.830	1-7/8"	1.700
1-1/8"	.950	2"	1.830
1-1/4"	1.080	2-1/2"	1.980

Premium Black and Supreme Silver Thinwall Handheld Core Bits

SIZE	POL Cat #	P38Z Cat #	Premium List Price	UOL Cat #	U38Z Cat #	Supreme List Price
1/2"	07061	23273	\$134	28516	37777	\$157
5/8"	07065	23322	144	28517	52665	172
3/4"	07071	76132	186	28518	37778	197
7/8"	07077	07075	189	28519	65957	202
1"	07017	20184	192	28520	62004	213
1-1/8"	07021	23260	197	28521	37967	233
1-1/4"	07027	19053	203	28522	83931	245
1-3/8"	07031	20676	207	28523	77558	251
1-1/2"	07037	07035	211	28524	77618	255
1-5/8"	18222	36879	215	28525	95572	258
1-3/4"	07043	21854	219	28526	38966	262
1-7/8"	18223	27647	223	28527	84008	267
2"	07050	07047	226	28528	36236	273
2-1/4"	17941	07052	237	28529	45652	287
2-3/8"	18224	27139	273	28530	45653	329
2-1/2"	17948	18927	282	28531	58376	341
2-3/4"	18225	26817	298	28532	45654	362
3"	17827	22307	312	28533	45491	375
3-1/2"	17911	25670	371	57545	55332	427
4"	17828	22628	414	28534	79364	500
5"	17829	39599	566	28535	45658	680
6"	17940	27145	680	28536	45660	822

ORDERING INFORMATION:

All thinwall bits have a 5/8"-11 hub. Other specifications available upon request. 1/2" to 7/8" = 12" core length-1" and up = 13" core length. Add \$12 for Built-In BANTAM Hub

Note: All diameters are nominal. Exact tolerances upon request.



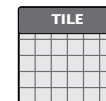
Premium Black Stone Bits

- Wet core bits for drilling marble and granite
- Core length of 2" allows an accurate hole in hard materials
- Crown style for a smooth finish
- 3" overall length



Premium Black Tile Bits

- Wet thinwall core bits with 2" core length for fast, smooth coring in tile
- The soft bond handles very hard tile and the thin crown segment creates a nice finished core
- 3" overall length.



SPECIFICATION:

P28Z-Very hard materials, fast coring

Premium Black Bits for Natural Stone		
SIZE	P28Z Cat #	List Price
1"	28026	\$232
1-1/4"	28027	303
1-3/8"	28029	305
1-1/2"	28033	311
1-3/4"	28034	371

SPECIFICATION:

P28Z-Very hard materials, fast coring

Straight Shank Adapters & Water Swivels		
Description	Cat #	List Price
3/8" SS to 5/8-11 adapter	01913	\$13
1/2" SS to 5/8-11 adapter	01899	25
5/8" SS to 5/8-11 adapter	01936	13
75HD water swivel 5/8-11 to 5/8-11 with water valve	01885	262

Premium Black Tile Bits		
SIZE	P28Z Cat #	List Price
1"	73910	\$226
1-1/4"	73913	261
1-3/8"	73914	267
1-1/2"	73924	273
1-3/4"	73915	285
2"	73923	294



DRY HOLE SAW CORE BORE



Star Blue
Good quality diamond and good coring value



DB-Block and soft brick-not for use on concrete



Heavy Duty Orange
Very high quality diamond and longer coring life



DH-Block and soft brick-not for use on concrete

Star Blue Dry Hole Saw Bits				
SIZE	DB Cat #	Max RPM/Min RPM	Drill/Grinder Min. Amps	List Price
1"	35385	6000/2300	6	\$101
1-1/4"	35390	6000/2300	6	109
1-1/2"	35392	5000/1600	7	124
2"	35406	5000/1200	7	150
2-1/2"	35440	5000/1200	7	189
3"	35444	5000/800	7	211
3-1/2"	35452	5000/800	10	238
4"	35453	5000/700	10	252
4-1/2"	35459	5000/700	10	304
5"	35478	3500/700	10	351
6"	35479	2500/600	10	435

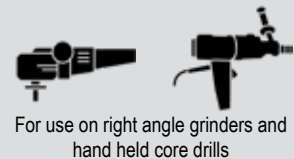
Heavy Duty Orange Dry Hole Saw Bits				
SIZE	DH Cat #	Max RPM/Min RPM	Drill/Grinder Min. Amps	List Price
7/8"	04771	6000/2300	6	\$158
1"	04706	6000/2300	6	163
1-1/4"	04711	6000/2300	6	168
1-1/2"	04717	5000/1600	7	194
1-3/4"	04720	5000/1600	7	205
2"	00011	5000/1200	7	228
2-1/4"	04727	5000/1200	7	242
2-1/2"	00012	5000/1200	7	249
3"	00013	5000/800	7	324
3-1/2"	00014	5000/800	10	365
4"	04745	5000/700	10	387
4-1/2"	04751	5000/700	10	468
5"	04756	3500/700	10	539
6"	04764	2500/600	10	670

Dry bits are used with intermittent cuts allowing air to cool the bit **NO WATER NEEDED**

Adapters for Dry Bits			
Description	Part #	Cat #	List Price
5/8"-11 pilot adapter (for right angle grinders)	4400035	01902	\$48
1/2" straight shank pilot adapter (for 1/2" drill chuck)	4400034	01901	49
1/2" carbide pilot drill with A-Taper	1400029	00033	58

Ordering Information (Dry Hole Saws):

- Not all types of brick and block can be drilled-please consult factory
- 9" drilling depth (11" on Star Blue) and 5/8"-11 hub
- Jacobs Chuck adapter available for hand held rotary drills 5/8"-11 thread to straight shank
- Custom bonds, extra core length and re-segmenting is not available on dry core bits



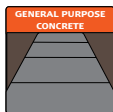
For use on right angle grinders and hand held core drills



Premium Black DRY HOLE SAW

Highest quality diamond and longest life
Wider segments with heavier barrel wall to withstand harder brick and prevent segment loss.

- 9" drilling depth with 1.250"-12 threaded hub



DP-Brick/block and non-reinforced concrete

Heavy Duty Orange DRY VACUUM BIT

Very high quality diamond and Longer Life

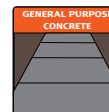
Dry Vacuum Bit Notes:

- Do not use in applications with steel heavier than wire mesh
- 9" drilling depth with 1.250"-12 threaded hub
- NOT designed for hard aggregate concrete



DRY VACUUM BIT ADAPTER

For use with a standard shop vacuum to remove dust and debris. Great for use in clean areas where dust control is required.



DVH-Brick/block and non-reinforced concrete

Premium Black Dry Hole Saw Bits

SIZE	DP Cat #	Max RPM/Min RPM	Drill/Grinder Min. Amps	List Price
7/8"	46326	6000/2300	6	\$262
1"	46327	6000/2300	6	280
1-1/4"	46328	6000/2300	6	300
1-1/2"	46329	5000/1600	7	320
1-3/4"	46330	5000/1600	7	340
2"	46331	5000/1200	7	360
2-1/4"	46332	5000/1200	7	380
2-1/2"	46333	5000/1200	7	400
3"	46334	5000/800	7	425
3-1/2"	46335	5000/800	10	450
4"	46336	5000/700	10	500
4-1/2"	46337	5000/700	10	610
5"	46338	3500/700	10	710
6"	46339	2500/600	10	780

Heavy Duty Orange Dry Vacuum Bits

SIZE	DVH Cat #	Max RPM/Min RPM	List Price
1-1/2"	04775	5000/1600	\$194
1-3/4"	04777	5000/1600	205
2"	04780	5000/1200	228
2-1/4"	04782	5000/1200	242
2-1/2"	04785	5000/1200	249
3"	04789	5000/800	324
3-1/2"	04793	5000/800	365
4"	04796	5000/700	387
4-1/2"	04799	5000/700	468
5"	04802	3500/700	539
6"	04805	2500/600	670

*Dry Vacuum Bits Must Use a Core Vac Dry Vacuum Air Swivel

Core Vac Dry Vacuum Air Swivel

Description	Part #	Cat #	List Price
5/8"-11 to 1.250"-12 Core Vac Dry Vacuum Air Swivel Assembly	4400125	01950	\$304
Swivel Extension-(12")	4400126	01951	66
1-1/4"-7F 1.250-12M Threaded Adapter for Use on the WEKA DK13 Motor	4400320	75698	59

Dry bits are used with intermittent cuts allowing air to cool the bit
NO WATER NEEDED

Ordering Information (Dry Hole Saws):

- Not all types of brick and block can be drilled-please consult factory
- 9" drilling depth (11" on Star Blue) and 5/8"-11 hub
- Jacobs Chuck adapter available for hand held rotary drills 5/8"-11 thread to straight shank
- Custom bonds, extra core length and re-segmenting is not available on dry core bits



For use on right angle grinders and hand held core drills





THREADED WET CORE BORE



HOL



**POL
P38F**



UOF

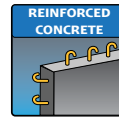


Threaded Core Bits

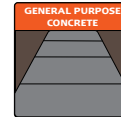
- Allows increased range of drilling depth with continuous tubing threaded bits and barrels
- Additional barrel lengths can be added as you drill deeper, similar to oil drilling
- Standard threaded bits have a core length of 12" and extra barrel lengths are available in 12", 24", 36" and 48"
- Segment width of threaded bits are .187" for bits 1-1/2" to 6"
- Threaded bits 6-1/2" to 10" have .250" segment width

Specifications:

- HOL-** General purpose, cured concrete with moderate steel
- POL-** General purpose, concrete with heavy steel, long life
- P38F-** Very hard aggregate with heavy steel
- UOF-** High diamond concentration for concrete with extremely high steel content



**HOL
POL
P38F
UOF**



**HOL
POL**



**P38F
UOF**

Threaded Bits

SIZE	HD Orange HOL Cat #	HD Orange List Price	Premium Black POL Cat #	Premium Black P38F Cat #	Premium Black List Price	Supreme Silver UOF Cat #	Supreme Silver List Price
1"	---	---	06128	21024	\$222	31418	\$367
1-1/4"	---	---	19156	50088	284	28326	412
1-1/2"	44577	\$310	06134	45661	365	29515	460
2"	18073	395	06138	45662	482	07233	640
2-1/4"	36614	404	06140	45665	497	71468	662
2-1/2"	05252	475	06143	45667	578	18259	726
2-3/4"	05253	488	23245	26447	588	18260	740
3"	28541	519	06144	68191	652	18261	828
3-1/4"	---	---	28546	89512	710	---	---
3-1/2"	17967	588	06146	26484	741	18297	838
4"	05254	676	06148	97678	840	83914	917
4-1/4"	---	---	87522	45672	938	Custom bond specifications available upon request.	
5"	45315	845	06150	45673	1,054		
5-1/2"	---	---	28548	45675	1,152		
6"	28543	992	06151	45680	1,256		
6-1/4"	---	---	50412	45681	1,318		
6-1/2"	69850	1,104	28550	45684	1,440		
7"	52319	1,257	06152	45685	1,550		
8"	28186	1,276	06154	45686	1,568		
9"	50411	1,506	28551	92032	1,860		
10"	79382	1,674	06129	53921	2,567		



For use on
mounted
core rigs

THREADED CAPS & BARRELS



Threaded Caps and Barrels are used for deep hole drilling. The barrels can be pieced together as you drill deeper.

Threaded Caps & Threaded Barrels

DIAMETER	Threaded Cap Part #	1-1/4"-7 Threaded Cap List Price	12" Core Barrel Part #	12" Core Barrel List Price	24" Core Barrel Part #	24" Core Barrel List Price	36" Core Barrel Part #	36" Core Barrel List Price	48" Core Barrel Part #	48" Core Barrel List Price
1"	06862	\$157	60334	\$155	56985	\$170	62087	\$256	91894	\$269
1-1/4"	06864	161	85085	157	76835	174	80066	263	62088	281
1-1/2"	06865	164	47307	159	52106	184	47312	274	54789	296
2"	06867	168	47308	161	47773	186	47774	276	53897	299
2-1/4"	06868	171	58974	238	58975	263	82301	289	95136	313
2-1/2"	06869	252	49936	241	49937	270	49938	300	65808	337
2-3/4"	54344	260	60161	245	54343	277	85872	312	69504	347
3"	06870	262	47309	248	49917	281	47314	314	47509	350
3-1/4"	73973	268	85705	254	89515	294	73974	335	73975	374
3-1/2"	06872	284	49912	260	49913	306	49914	354	57188	403
4"	06873	289	47310	262	49925	330	47315	392	54236	450
4-1/4"	58973	295	58972	264	58971	369	47874	483	25922	601
4-1/2"	49895	307	49919	270	49920	386	49921	510	72869	631
5"	06874	327	47588	299	48713	409	49931	544	56475	678
5-1/2"	58910	337	58911	327	58912	514	25926	700	25930	887
6"	06875	358	47311	380	49933	620	47316	860	56078	1,099
6-1/4"	19357	360	20976	434	19348	725	58927	1,018	20918	1,311
6-1/2"	49088	471	49087	971	25933	1,164	25934	1,357	97036	1,551
7"	06876	480	62372	1,074	86403	1,369	62373	1,667	71541	1,962
8"	06877	510	53570	1,081	54813	1,384	47479	1,676	51261	1,977
9"	55077	518	82978	1,088	81181	1,403	55076	1,714	92031	2,027
10"	06863	629	68676	1,403	49465	1,889	49947	2,353	49464	2,819

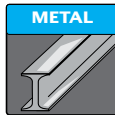
Threaded caps and barrels are not included in the free freight policy. Freight charges apply.



CARBIDE CORE BORE BITS

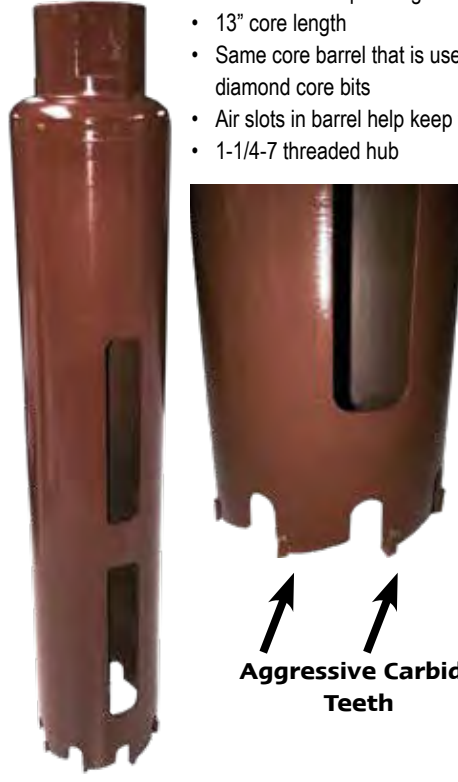
Carbide Rebar & Plate Cutters

- Designed to cut through rebar or plate steel after a diamond core bit has drilled through the concrete
- Carbide inserts are brazed into the core barrel These specialized bits must be used with water to keep the bit cool while drilling in steel
- 10" Standard core length



Carbide Wood Bits

- Carbide teeth rip through wood with ease
- 13" core length
- Same core barrel that is used on our diamond core bits
- Air slots in barrel help keep the bit cool
- 1-1/4-7 threaded hub



For use on wood materials only. **DO NOT USE ON CONCRETE** or other rock based materials. Warranty is void if used on materials other than wood.

Aggressive Carbide Teeth



Carbide Rebar and Plate Cutter Core Bits

SIZE	Rebar Cutter Cat #	Rebar Cutter List Price	# of Inserts	Plate Cutter Cat #	Plate Cutter List Price	# of Inserts
1/2"	07253	\$296	4	59195	\$323	4
5/8"	07256	306	4	49514	326	6
3/4"	07257	315	4	49515	327	6
7/8"	07259	323	6	52040	344	8
1"	07236	333	6	07260	365	8
1-1/8"	07237	350	6	07262	384	10
1-1/4"	07238	365	6	07263	431	10
1-3/8"	07239	410	8	61081	441	12
1-1/2"	07240	450	8	07265	541	12
1-5/8"	58064	469	8	62663	580	14
1-3/4"	07241	473	8	07266	717	14
1-7/8"	07242	495	10	55705	727	16
2"	07243	514	10	07267	732	16
2-1/2"	07248	529	12	07269	748	20
3"	07249	711	14	07270	834	26
3-1/2"	07250	763	16	62429	927	30
4"	07252	831	20	07273	970	34
5"	07254	1,177	25	43399	1,467	42
6"	07255	1,393	30	07275	2,005	50
8"	53358	1,515	40	07276	2,091	70
9"	66108	1,600	45	43401	2,195	76
10"	45009	2,268	50	43402	2,329	84

CARBIDE CORE BITS for WOOD

Diameter	Part #	Cat #	List Price
2"	CBW2000	50701	\$1,029
2-1/2"	CBW2500	65532	1,114
3"	CBW3000	50702	1,226
3-1/4"	CBW3250	45946	1,291
3-1/2"	CBW3500	55066	1,337
3-3/4"	CBW3750	45951	1,398
4"	CBW4000	50703	1,449
5"	CBW5000	50704	2,277
6"	CBW6000	50705	2,441
7"	CBW7000	13397	2,708
7-1/4"	CBW7250	12553	2,900
8"	CBW8000	45953	3,797
8-1/2"	CBW8500	40785	4,945
10"	CBW10000	93791	6,033
10-1/2"	CBW10500	40786	6,593
12-1/2"	CBW12500	40787	7,088



For use on mounted core rigs



Cat # 01673



Retractable Carbide Bits

- Used in Offices and buildings where duct work is present
- Carbide bit drills through thin duct work and diamond bit drills through concrete



Cat # 01930
Cat # 01928



Cat # 00032



Cat # 05252



Cat # 01929

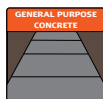
RETRACTABLE CARBIDE BIT		
Description	Cat #	List Price
2-1/4" x 2-1/2" Retractable carbide Diamond Bit (complete)	01673	\$1,420
Individual Optional Components		
Description	Cat #	List Price
2-1/4" Carbide Hole Saw with Threaded Cap	00032	\$441
2-1/2" x 8" HOL Threaded Bit*	05252	475
Threaded Bit Adapter	01929	242
2-1/2" Left/Right Threaded Cap	01928	132
2-3/4" Left/Right Threaded Cap	01930	132

*Specify threads for retractable carbide bit when ordering.

Step Bits

- Designed to make a recessed 'step' for drain covers, and other special uses
- Custom sizes available.
- Available in all quality grades and in straight segment or turbo style
- Custom made to your individual application.

Other Sizes and Specifications Available *Star Blue excluded



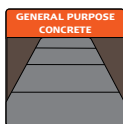
HEAVY DUTY ORANGE HOL-General Purpose, Longer Life				
Size/Description	Part #	Cat #	Specification	List Price
2" X 3" X 4" X 6" CORE	BH200030004000	01079	HOL	\$1,180
2" X 4"	BH20004000	23045	HOL	1,029
2" X 4" X 6"	BH200040006000	08724	HOL	1,869
2" X 4" X 6-1/2"	BH200040006500	27384	HOL	1,924
2-1/4" X 2-1/2" X 8-1/4" CORE	BH22502500	04961	HOL	608
2-9/32" X 2-9/16"	BH22812562	52075	HOL	715
3" X 3 1/2" CORE	BH30003500	78611	HOL	835
5" X 3" X 1"	BH531STP	50768	HOL	1,412
PREMIUM BLACK POL-General Purpose, Longest Life				
Size/Description	Part #	Cat #	Specification	List Price
1" X 3" X 5" X 24" DRILL DEPTH	BP100030005000	26784	POL	\$2,074
1 3/4" X 2"	BP17502000	25738	POL	713
2" X 3 1/2"	BP20003500	76194	POL	1,053
2" X 5"	BP20005000	97639	POL	1,414
2-1/4" X 2-1/2"	BP22502500	05572	POL	773
6.850" X 6-1/8"	BP68506125	29113	POL	3,063
1 1/4" X 3/4"	BP7501250	18535	POL	419



'Pancake' Bits

- For use in applications where a hole is needed with a recessed top
- Great for airport runway light canisters
- Most custom sizes and bonds available
- Custom made to your individual application

Other sizes and specifications available-call for more information



HOL
POL



For use on mounted
core rigs

HEAVY DUTY ORANGE HOL-General Purpose, Longer Life

Size/Description	Part #	Cat #	Specification	List Price
2.880" X 4.620"	BH28804620	84474	HOL	\$1,403
3.000" X 4.500"	BH30004500	99174	HOL	1,392
3-1/2" X 3"	BH35003000	13780	HOL	857
3.541" X 1.500" PILOT	BH35411500	51323	HOL	911
3.840" X 1/2" CARBIDE PILOT	BH384012	61773	HOL	1,037
3.840" X 1.500" PILOT	BH38401500	53314	HOL	1,022
4" X 2" WITH 2" CENTER PILOT 3" LONG	BH40002000P	01093	HOL	1,069
4.120" X 4.750"	BH41204750	84475	HOL	2,296
4.515" X 2.980" X 3/8" CARBIDE PILOT	BH451538	66964	HOL	2,544
4.700" X 4.090" X 3/8" CARBIDE PILOT	BH470038	66967	HOL	2,924
5" X 3"	BH50003000P	16889	HOL	1,367
5 1/2" WITH 1 1/4"-7 HUB	BH5500P	04467	HOL	1,319
6 1/2" X 4 3/4" HEAVY DUTY	BH65004750	20352	HOL	2,072
7" X 6-1/2"	BH70006500P	71695	HOL	2,370

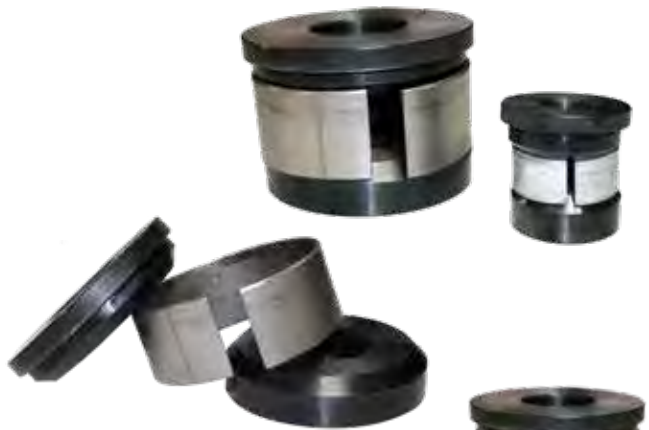
PREMIUM BLACK POL-General Purpose, Longest Life

Size/Description	Part #	Cat #	Specification	List Price
1-3/4" X 1-1/8"	BP17501125	04358	POL	\$716
2-1/2" PANCAKE X 2" PILOT	BP25002000	23843	POL	927
2 1/2" PANCAKE X 7/8" PILOT	BP250078	96775	POL	554
1-3/4" X 2-7/8"	BP28751750	04356	POL	938
3-1/8" X 7/8" PILOT	BP312578	88235	POL	690
4-1/2" X 2-3/4" WITH PILOT	BP45002750P	25612	POL	1,324
5" X 3-1/2"	BP50003500	99106	POL	1,655



Expansion Adapters

- Expansion adapters are used on open-end core bits instead of welded hubs
- Made up of two threaded plates with expansion ring
- The three pieces are placed in the core barrel and tightened on the drill rig spindle
- The expansion ring expands, and tightens against the core barrel-keeping the bit secure



**Expansion Adapters
For Use with Open-Ended Bits**

SIZE	Part #	Cat #	List Price
1"	4010476	01638	\$79
1-1/8"	4010477	01639	83
1-1/4"	4010478	54239	84
1-3/8"	4010479	01640	88
1-1/2"	4010480	01641	97
1-5/8"	4010481	01642	98
1-3/4"	4010482	01643	110
1-7/8"	4010483	71254	111
2"	4010484	01644	112
2-1/4"	4010485	01645	115
2-1/2"	4010486	01646	125
2-3/4"	4010487	01647	141
3"	4010488	01648	153
3-1/4"	4010489	01649	164
3-1/2"	4010490	01651	180
4"	4010491	01652	203
4-1/4"	4010492	01654	222
4-1/2"	4010493	01655	236
5"	4010494	01656	256
5-1/2"	4010495	01658	279
6"	4010496	01659	304
6-1/4"	4010497	01660	355
6-1/2"	4010498	01661	388
7"	4010499	01662	420
8"	4010500	01663	461
9"	4010501	01664	469
10"	4010502	01665	595



The expansion ring expands, and tightens against the core barrel, keeping the bit secure.

Add to List Price for Extra Core Length (Any Wet Core Bit)

SIZE	Per Extra Inch of Core Length
1/2"	\$1
5/8"	1
3/4"	1
7/8"	1
1"	2
1-1/8"	2
1-1/4"	2
1-3/8"	2
1-1/2"	2
1-5/8"	2
1-3/4"	2
1-7/8"	2
2'	4
2-1/4"	4
2-3/8"	4
2-1/2"	4
2-3/4"	4
3"	5
3-1/4"	5
3-1/2"	5
4"	6
4-1/4"	6
4-1/2"	6
5"	8
5-1/2"	8
6"	9
7"	10
8"	10
9"	10
10"	12



Order your core bit with extra core length for a deeper hole. Price shown is per inch beyond standard core length..



CORE BIT SEGMENTS ONLY

.145" THROUGH .187" THICKNESS

Heavy Duty Orange Specification: HOL

Premium Black Specification: POL

Supreme Silver Specification: UOL

.145" Thickness			
Bit Size	Part #	Cat #	List Price
2"	BSGH14502	25040	\$25.46
2-1/2"	BSGH14525	25041	25.46
3"	BSGH14503	25044	25.46
4"	BSGH14504	25062	25.46
5"	BSGH14505	25076	25.46
6"	BSGH14506	23257	25.46
.165" Thickness			
2"	BSGH16502	25321	\$29.88
2-1/2"	BSGH16525	30209	29.88
3"	BSGH16503	25323	29.88
4"	BSGH16504	22796	29.88
5"	BSGH16505	25332	29.88
6"	BSGH16506	25334	29.88
8"	BSGH16508	25335	29.88
9" +	BSGH16512	25336	29.88
.187" Thickness			
2"	BSGH18702	25341	\$33.23
2-1/2"	BSGH18725	25367	33.23
3"	BSGH18703	25369	33.23
4"	BSGH18704	25378	33.23
5"	BSGH18705	25386	33.23
6"	BSGH18706	25390	33.23
8"	BSGH18708	23582	33.23
9" +	BSGH18712	20612	33.23

.145" Thickness			
Bit Size	Part #	Cat #	List Price
2"	BSGP14502	25562	\$32.95
2-1/2"	BSGP14525	25579	32.95
3"	BSGP14503	22013	32.95
4"	BSGP14504	25581	32.95
5"	BSGP14505	22030	32.95
6"	BSGP14506	26141	32.95
.165" Thickness			
2"	BSGP16502	25595	\$38.58
2-1/2"	BSGP16525	25597	38.58
3"	BSGP16503	23003	38.58
4"	BSGP16504	23812	38.58
5"	BSGP16505	25599	38.58
6"	BSGP16506	25605	38.58
8"	BSGP16508	15289	38.58
9" +	BSGP16512	25614	38.58
.187" Thickness			
2"	BSGP18702	25637	\$42.92
2-1/2"	BSGP18725	30306	42.92
3"	BSGP18703	25730	42.92
4"	BSGP18704	25974	42.92
5"	BSGP18705	25979	42.92
6"	BSGP18706	17281	42.92
8"	BSGP18708	23804	42.92
9" +	BSGP18712	15318	42.92

.145" Thickness			
Bit Size	Part #	Cat #	List Price
2"	BSGU14502	27796	\$38.70
2-1/2"	BSGU14525	27834	38.70
3"	BSGU14503	27851	38.70
4"	BSGU14504	27852	38.70
5"	BSGU14505	27855	38.70
6"	BSGU14506	27856	38.70
.165" Thickness			
2"	BSGU16502	27882	\$43.45
2-1/2"	BSGU16525	27894	43.45
3"	BSGU16503	27899	43.45
4"	BSGU16504	27902	43.45
5"	BSGU16505	27905	43.45
6"	BSGU16506	27911	43.45
8"	BSGU16508	27923	43.45
9" +	BSGU16512	30476	43.45
.187" Thickness			
2"	BSGU18702	27938	\$48.75
2-1/2"	BSGU18725	27942	48.75
3"	BSGU18703	27955	48.75
4"	BSGU18704	27958	48.75
5"	BSGU18705	27967	48.75
6"	BSGU18706	27978	48.75
8"	BSGU18708	27993	48.75
9" +	BSGU18712	28231	48.75

Bit Crowns-1/2" through 1-3/4"									
Diameter	HD Orange HOL Part #	HD Orange HOL Cat #	HD Orange List Price	Premium Black POL Part #	Premium Black POL Cat #	Premium Black List Price	Supreme Silver UOF Part #	Supreme Silver UOF Cat #	Supreme Silver List Price
1/2"	BSGCH500	28555	\$79.05	BSGCP500	28566	\$118.75	BSGCU500	06357	\$141.99
5/8"	BSGCH625	28556	80.67	BSGCP625	21790	121.19	BSGCU625	06359	148.11
3/4"	BSGCH750	28557	84.46	BSGCP750	20261	124.85	BSGCU750	06361	153.01
7/8"	BSGCH875	28558	99.15	BSGCP875	18340	139.55	BSGCU875	06362	172.59
1"	BSGCH1000	28559	129.73	BSGCP1000	06309	153.01	BSGCU1000	06346	182.39
1-1/8"	BSGCH1125	28560	144.44	BSGCP1125	06312	167.70	BSGCU1125	06348	199.52
1-1/4"	BSGCH1250	28561	148.11	BSGCP1250	06315	175.06	BSGCU1250	06349	208.09
1-3/8"	BSGCH1375	28562	156.69	BSGCP1375	06319	186.06	BSGCU1375	06350	226.45
1-1/2"	BSGCH1500	28563	165.26	BSGCP1500	06325	195.84	BSGCU1500	06351	238.69
1-5/8"	BSGCH1625	28564	173.82	BSGCP1625	18889	204.42	BSGCU1625	06352	249.72
1-3/4"	BSGCH1750	51159	187.29	BSGCP1750	06332	219.11	BSGCU1750	06355	279.09



Bit Crowns are continuous and have water ways to allow water and slurry to escape.

CORE BIT SEGMENTS ONLY

.145" THROUGH .187" THICKNESS



Heavy Duty Orange Turbo
Specification: THOWL

Premium Black Turbo
Specification: TPOWL

Super Premium Red Plus Turbo
Specification: TSPSAG3+

Pro Blue
Specification: TOL

.145" Thickness				.145" Thickness				.145" Thickness				.145" Thickness			
Bit Size	Part #	Cat #	List Price	Bit Size	Part #	Cat #	List Price	Bit Size	Part #	Cat #	List Price	Bit Size	Part #	Cat #	List Price
2"	BSGTH14502	62824	\$32.79	2"	BSGTP14502	51262	\$34.04	2"	BSGTSP+14502	17126	\$35.35	2"	BSGT14502	26864	\$36.60
2-1/2"	BSGTH14525	62825	32.79	2-1/2"	BSGTP14525	62933	34.04	2-1/2"	BSGTSP+14525	28433	35.35	2-1/2"	BSGT14525	26894	36.60
3"	BSGTH14503	62829	32.79	3"	BSGTP14503	46585	34.04	3"	BSGTSP+14503	19853	35.35	3"	BSGT14503	26906	36.60
4"	BSGTH14504	62830	32.79	4"	BSGTP14504	62945	34.04	4"	BSGTSP+14504	15872	35.35	4"	BSGT14504	26909	36.60
5"	BSGTH14505	62836	32.79	5"	BSGTP14505	62951	34.04	5"	BSGTSP+14505	28449	35.35	5"	BSGT14505	26913	36.60
6"	BSGTH14506	62844	32.79	6"	BSGTP14506	51153	34.04	6"	BSGTSP+14506	28451	35.35	6"	BSGT14506	26923	36.60
.165" Thickness				.165" Thickness				.165" Thickness				.165" Thickness			
2"	BSGTH16502	62845	\$33.72	2"	BSGTP16502	62953	\$35.38	2"	BSGTSP+16502	28453	\$36.11	2"	BSGT16502	26925	\$37.84
2-1/2"	BSGTH16525	62849	33.72	2-1/2"	BSGTP16525	62954	35.38	2-1/2"	BSGTSP+16525	19389	36.11	2-1/2"	BSGT16525	26948	37.84
3"	BSGTH16503	62850	33.72	3"	BSGTP16503	62955	35.38	3"	BSGTSP+16503	18872	36.11	3"	BSGT16503	26954	37.84
4"	BSGTH16504	62857	33.72	4"	BSGTP16504	62956	35.38	4"	BSGTSP+16504	15965	36.11	4"	BSGT16504	26955	37.84
5"	BSGTH16505	62858	33.72	5"	BSGTP16505	62960	35.38	5"	BSGTSP+16505	18910	36.11	5"	BSGT16505	26960	37.84
6"	BSGTH16506	62862	33.72	6"	BSGTP16506	62961	35.38	6"	BSGTSP+16506	14797	36.11	6"	BSGT16506	26967	37.84
8"	BSGTH16508	64692	33.72	8"	BSGTP16508	51387	35.38	8"	BSGTSP+16508	14836	36.11	8"	BSGT16508	27246	37.84
9" +	BSGTH16512	62870	33.72	9" +	BSGTP16512	62963	35.38	9" +	BSGTSP+16512	28475	36.11	9" +	BSGT16512	30460	37.84
.187" Thickness				.187" Thickness				.187" Thickness				.187" Thickness			
2"	BSGTH18702	62871	\$34.32	2"	BSGTP18702	62966	\$35.94	2"	BSGTSP+18702	28487	\$39.44	2"	BSGT18702	26969	\$42.36
2-1/2"	BSGTH18725	62928	34.32	2-1/2"	BSGTP18725	62970	35.94	2-1/2"	BSGTSP+18725	28492	39.44	2-1/2"	BSGT18725	26971	42.36
3"	BSGTH18703	63297	34.32	3"	BSGTP18703	62973	35.94	3"	BSGTSP+18703	28507	39.44	3"	BSGT18703	26978	42.36
4"	BSGTH18704	62874	34.32	4"	BSGTP18704	62974	35.94	4"	BSGTSP+18704	09681	39.44	4"	BSGT18704	26979	42.36
5"	BSGTH18705	62876	34.32	5"	BSGTP18705	62975	35.94	5"	BSGTSP+18705	18636	39.44	5"	BSGT18705	27014	42.36
6"	BSGTH18706	62929	34.32	6"	BSGTP18706	62976	35.94	6"	BSGTSP+18706	28737	39.44	6"	BSGT18706	27017	42.36
8"	BSGTH18708	62877	34.32	8"	BSGTP18708	62977	35.94	8"	BSGTSP+18708	08511	39.44	8"	BSGT18708	27018	42.36
9" +	BSGTH18712	26490	34.32	9" +	BSGTP18712	62978	35.94	9" +	BSGTSP+18712	14844	39.44	9" +	BSGT18712	27020	42.36

See page 178 for number of segments used on core bits.



Loose segments include silver braze.
Extra braze available

Part #	Cat #	List Price
2200002	00166	\$ 1

Standard Segment Sizes	
Bit Diameter	Segment Widths
1-7/8" thru 6"	.145"
7" and 8"	.165"
9" thru 16"	.187"
18" thru 24"	.220"
Above 24"	.250"



CORE BIT SEGMENTS ONLY

.200" THROUGH .250" THICKNESS

Heavy Duty Orange
Specification: HOL

Premium Black
Specification: POL

Supreme Silver
Specification: UOL

.200" Thickness			
Bit Size	Part #	Cat #	List Price
2"	BSGH20002	25395	\$35.22
2-1/2"	BSGH20025	25398	35.22
3"	BSGH20003	25399	35.22
4"	BSGH20004	25401	35.22
5"	BSGH20005	25402	35.22
6"	BSGH20006	25403	35.22
8"	BSGH20008	25425	35.22
9" +	BSGH20012	25430	35.22
.220" Thickness			
2"	BSGH22002	25433	\$38.29
2-1/2"	BSGH22025	25434	38.29
3"	BSGH22003	25449	38.29
4"	BSGH22004	25472	38.29
5"	BSGH22005	25455	38.29
6"	BSGH22006	25475	38.29
8"	BSGH22008	25486	38.29
9" +	BSGH22012	23596	38.29
.250" Thickness			
2"	BSGH25002	30257	\$42.81
2-1/2"	BSGH25025	30268	42.81
3"	BSGH25003	30271	42.81
4"	BSGH25004	30287	42.81
5"	BSGH25005	30299	42.81
6"	BSGH25006	25499	42.81
8"	BSGH25008	25502	42.81
9" +	BSGH25012	23106	42.81

.200" Thickness			
Bit Size	Part #	Cat #	List Price
2"	BSGP20002	25985	\$45.56
2-1/2"	BSGP20025	25994	45.56
3"	BSGP20003	26010	45.56
4"	BSGP20004	26011	45.56
5"	BSGP20005	26012	45.56
6"	BSGP20006	26013	45.56
8"	BSGP20008	26014	45.56
9" +	BSGP20012	26015	45.56
.220" Thickness			
2"	BSGP22002	26016	\$49.54
2-1/2"	BSGP22025	26021	49.54
3"	BSGP22003	26022	49.54
4"	BSGP22004	26024	49.54
5"	BSGP22005	26025	49.54
6"	BSGP22006	26028	49.54
8"	BSGP22008	26045	49.54
9" +	BSGP22012	21049	49.54
.250" Thickness			
2"	BSGP25002	26054	\$54.36
2-1/2"	BSGP25025	26075	\$55.45
3"	BSGP25003	26081	55.45
4"	BSGP25004	26082	55.45
5"	BSGP25005	26086	55.45
6"	BSGP25006	26095	55.45
8"	BSGP25008	26104	55.45
9" +	BSGP25012	21401	55.45

.200" Thickness			
Bit Size	Part #	Cat #	List Price
2"	BSGU20002	27995	\$53.50
2-1/2"	BSGU20025	28001	53.50
3"	BSGU20003	28008	53.50
4"	BSGU20004	28012	53.50
5"	BSGU20005	28018	53.50
6"	BSGU20006	28031	53.50
8"	BSGU20008	28084	53.50
9" +	BSGU20012	28090	53.50
.220" Thickness			
2"	BSGU22002	28283	\$58.27
2-1/2"	BSGU22025	28293	58.27
3"	BSGU22003	28092	58.27
4"	BSGU22004	28118	58.27
5"	BSGU22005	28134	58.27
6"	BSGU22006	28144	58.27
8"	BSGU22008	28150	58.27
9" +	BSGU22012	28165	58.27
.250" Thickness			
2"	BSGU25002	28167	\$64.90
2-1/2"	BSGU25025	28180	64.90
3"	BSGU25003	28191	64.90
4"	BSGU25004	28197	64.90
5"	BSGU25005	28202	64.90
6"	BSGU25006	28205	64.90
8"	BSGU25008	28212	64.90
9" +	BSGU25012	28213	64.90

See page 178 for number of segments used on core bits.



Loose segments include silver braze.
Extra braze available

Part #	Cat #	List Price
2200002	00166	\$ 1

Standard Segment Sizes	
Bit Diameter	Segment Widths
1-7/8" thru 6"	.145"
7" and 8"	.165"
9" thru 16"	.187"
18" thru 24"	.220"
Above 24"	.250"

CORE BIT SEGMENTS ONLY

.200" THROUGH .250" THICKNESS



Heavy Duty Orange Turbo
Specification: HOL

Premium Black Turbo
Specification: POL

Super Premium Red Plus Turbo
Specification: TSPSAG3+

Pro Blue
Specification: TOL

.200" Thickness			
Bit Size	Part #	Cat #	List Price
2"	BSGTH20002	63201	\$35.30
2-1/2"	BSGTH20025	63202	35.30
3"	BSGTH20003	63203	35.30
4"	BSGTH20004	63205	35.30
5"	BSGTH20005	63207	35.30
6"	BSGTH20006	63208	35.30
8"	BSGTH20008	63210	35.30
9"+	BSGTH20012	62979	35.30
.220" Thickness			
Bit Size	Part #	Cat #	List Price
2"	BSGTH22002	63211	\$40.52
2-1/2"	BSGTH22025	63215	40.52
3"	BSGTH22003	63219	40.52
4"	BSGTH22004	63221	40.52
5"	BSGTH22005	63222	40.52
6"	BSGTH22006	63229	40.52
8"	BSGTH22008	63230	40.52
9"+	BSGTH22012	62981	40.52
.250" Thickness			
Bit Size	Part #	Cat #	List Price
2"	BSGTH25002	63232	\$42.86
2-1/2"	BSGTH25025	63233	42.86
3"	BSGTH25003	63234	42.86
4"	BSGTH25004	63239	42.86
5"	BSGTH25005	63243	42.86
6"	BSGTH25006	63244	42.86
8"	BSGTH25008	63245	42.86
9"+	BSGTH25012	52493	42.86

.200" Thickness			
Bit Size	Part #	Cat #	List Price
2"	BSGTP20002	63252	\$40.68
2-1/2"	BSGTP20025	63254	40.68
3"	BSGTP20003	63255	40.68
4"	BSGTP20004	63259	40.68
5"	BSGTP20005	63260	40.68
6"	BSGTP20006	63261	40.68
8"	BSGTP20008	63264	40.68
9"+	BSGTP20012	62982	40.68
.220" Thickness			
Bit Size	Part #	Cat #	List Price
2"	BSGTP22002	63268	\$43.59
2-1/2"	BSGTP22025	63269	43.59
3"	BSGTP22003	63271	43.59
4"	BSGTP22004	63274	43.59
5"	BSGTP22005	63275	43.59
6"	BSGTP22006	63277	43.59
8"	BSGTP22008	63279	43.59
9"+	BSGTP22012	62983	43.59
.250" Thickness			
Bit Size	Part #	Cat #	List Price
2"	BSGTP25002	63280	\$46.65
2-1/2"	BSGTP25025	63282	46.65
3"	BSGTP25003	63283	46.65
4"	BSGTP25004	63286	46.65
5"	BSGTP25005	63287	46.65
6"	BSGTP25006	63288	46.65
8"	BSGTP25008	63290	46.65
9"+	BSGTP25012	42873	46.65

.200" Thickness			
Bit Size	Part #	Cat #	List Price
2"	BSGTSP+20002	28509	\$43.45
2-1/2"	BSGTSP+20025	28539	43.45
3"	BSGTSP+20003	28589	43.45
4"	BSGTSP+20004	28592	43.45
5"	BSGTSP+20005	23837	43.45
6"	BSGTSP+20006	28615	43.45
8"	BSGTSP+20008	08543	43.45
9"+	BSGTSP+20012	13568	43.45
.220" Thickness			
Bit Size	Part #	Cat #	List Price
2"	BSGTSP+22002	28629	\$47.22
2-1/2"	BSGTSP+22025	28630	47.22
3"	BSGTSP+22003	28651	47.22
4"	BSGTSP+22004	28656	47.22
5"	BSGTSP+22005	28665	47.22
6"	BSGTSP+22006	28676	47.22
8"	BSGTSP+22008	21810	47.22
9"+	BSGTSP+22012	08572	47.22
.250" Thickness			
Bit Size	Part #	Cat #	List Price
2"	BSGTSP+25002	28689	\$52.96
2-1/2"	BSGTSP+25025	28704	52.96
3"	BSGTSP+25003	28707	52.96
4"	BSGTSP+25004	28718	52.96
5"	BSGTSP+25005	28720	52.96
6"	BSGTSP+25006	17594	52.96
8"	BSGTSP+25008	28729	52.96
9"+	BSGTSP+25012	08589	52.96

.200" Thickness			
Bit Size	Part #	Cat #	List Price
2"	BSGT20002	27041	\$46.70
2-1/2"	BSGT20025	27055	46.70
3"	BSGT20003	27066	46.70
4"	BSGT20004	27075	46.70
5"	BSGT20005	27080	46.70
6"	BSGT20006	27099	46.70
8"	BSGT20008	27100	46.70
9"+	BSGT20012	27113	46.70
.220" Thickness			
Bit Size	Part #	Cat #	List Price
2"	BSGT22002	27134	\$50.80
2-1/2"	BSGT22025	27146	50.80
3"	BSGT22003	27151	50.80
4"	BSGT22004	27154	50.80
5"	BSGT22005	27163	50.80
6"	BSGT22006	27165	50.80
8"	BSGT22008	27166	50.80
9"+	BSGT22012	27167	50.80
.250" Thickness			
Bit Size	Part #	Cat #	List Price
2"	BSGT25002	27168	\$56.98
2-1/2"	BSGT25025	27169	56.98
3"	BSGT25003	27170	56.98
4"	BSGT25004	27172	56.98
5"	BSGT25005	27184	56.98
6"	BSGT25006	27224	56.98
8"	BSGT25008	27236	56.98
9"+	BSGT25012	27244	56.98

See page 178 for number of segments used on core bits.



Loose segments include silver braze.
Extra braze available

Part #	Cat #	List Price
2200002	00166	\$ 1

Standard Segment Sizes	
Bit Diameter	Segment Widths
1-7/8" thru 6"	.145"
7" and 8"	.165"
9" thru 16"	.187"
18" thru 24"	.220"
Above 24"	.250"



CORE BIT INFORMATION

Number of Segments on Wet Core Bits

Segment Bit Size	Core Bit Diameter	Standard Gold	Heavy Duty Orange	Premium Black	Pro Blue	Super Premium Red	Turbo
1" bit	1		4	4	4		
	1 1/8		4	4			
1-1/4" bit	1 1/4		5	5	5		
	1 3/8		5	5			
1-1/2" bit	1 1/2		4	4	4		
	1 5/8		5	5			
	1 3/4		5	5	5		
2" bit	1 7/8		4	4			
	2	5	5	5	4	4	5
2-1/2" bit	2 1/8	5	5	5	4	4	5
	2 1/4	5	5	5	5	5	5
	2 1/2	6	6	6	5	5	6
3" bit	2 3/4	6	6	6	6	6	6
	3	7	7	7	6	6	7
	3 1/4	8	8	8	8	6	8
	3 1/2	8	8	8	7	7	8
4" bit	3 3/4	8	8	8	7	7	8
	4	10	10	10	8	8	10
	4 1/4	10	10	10	8	8	10
5" bit	4 1/2	11	11	11	9	9	11
	4 3/4	11	11	11	9	9	11
	5	12	12	12	10	10	12
6" bit	5 1/2	13	13	13	11	11	13
	6	14	14	14	12	12	14
	6 1/4	14	14	14	12	12	14
	6 1/2	15	15	15	13	13	15
8" bit	7	14	16	16	14	15	16
	8	16	16	16	16	16	18
12" bit	9	18	18	18	18	18	
	10	20	20	20	20		20
	12	24	24	24	24		24
	14	28	28	28	28		
	16	30	30	30	30		
	18		30	30	30		
	20		32	32			
	24		38	38			
	26		40	40			
	28		44	44			
	30		47	47			
	32		49	49			
	34		52	52			
	36		56	56			
	38		60	60			
	40		62	62			
42		65	65				
44		68	68				
46		71	71				
48		74	74				

Large Diameter Core Bit Measurements

Bit Outside Diameter	Tube Overall Length	Core Depth
8-1/2"	14"	13"
9"	14"	13"
10"	14"	13"
11"	14"	13"
12"	14"	13"
13"	14"	13"
14"	14"	13"
15"	19"	17"-18"
16"	20"	18"-19"
18"	22"	20"-21"
20"	25"	23"-24"
21"	25"	23"-24"
22"	25"	23"-24"
23"	25"	23"-24"
24"	25"	23"-24"
25"	25"	23"-24"
26"	25"	23"-24"
27"	25"	23"-24"
28"	25"	23"-24"
29"	25"	23"-24"
30" and up	37"	34"-35"

Large Diameter Number of Segments

SIZE	# of Segments
12"	24
14"	28
16"	30
18"	30
20"	32
22"	34
24"	38
26"	40
28"	44
30"	47
32"	49
34"	52
36"	56
38"	60
40"	62
42"	65
44"	68
46"	71
48"	74
54"	84
56"	89
60"	94

CORE BIT INFORMATION



We Will Re-Tip Your Worn Bit at a 20% Savings to You

Re-segmented Core Bits

Save money by recycling your used core bits. The bigger the bit, the more you save.

Send us your used core bits, ours or a competitors, and we will cut off the end and put new segments on it for a bit as good as new.

Core bits can be re-segmented with most quality grades and bonds provided the tube is suitable.

Costs to Re-segment Your Used Core Bits

Size	Standard Gold	Heavy Duty Orange	Premium Black	Supreme Silver	Super Premium Red	Pro Blue	Heavy Duty Orange Turbo	Premium Black Turbo	Super Premium + Red Turbo
1/2"	---	---	\$133	\$166	\$145	---	---	---	---
5/8"	---	\$138	140	---	149	---	---	---	---
3/4"	---	---	157	190	165	---	---	---	---
7/8"	---	154	164	196	171	---	---	---	---
1"	---	157	167	201	175	\$190	---	---	---
1-1/8"	---	164	170	202	---	---	---	---	---
1-1/4"	---	168	191	225	204	218	---	---	---
1-3/8"	---	175	194	231	202	221	---	172	---
1-1/2"	---	180	197	245	210	225	\$186	\$179	---
1-5/8"	---	182	231	287	---	---	---	---	---
1-3/4"	---	190	236	291	256	263	186	206	---
1-7/8"	---	208	243	298	---	---	---	222	---
2"	\$202	215	251	319	271	288	208	239	\$271
2-1/4"	214	235	268	337	276	300	--	251	282
2-1/2"	238	263	279	381	299	325	247	267	299
2-3/4"	258	281	320	402	---	---	---	286	---
3"	259	310	352	448	386	406	285	314	386
3-1/4"	318	356	390	---	---	---	--	344	---
3-1/2"	325	358	399	---	416	452	343	399	416
4"	345	414	493	590	526	551	379	414	474
4-1/4"	379	447	516	---	---	612	--	509	---
4-1/2"	427	510	573	668	612	647	495	553	612
4-3/4"	---	526	602	689	---	---	--	---	---
5"	460	543	626	746	677	736	505	592	677
5-1/4"	---	579	675	---	---	---	--	622	---
5-1/2"	541	627	725	--	---	---	--	679	735
6"	557	655	754	887	806	826	652	736	806
6-1/4"	630	730	812	---	---	---	--	781	---
6-1/2"	759	906	945	1,091	---	1,052	703	824	932
7"	818	918	998	--	1,078	1,141	--	918	1,078
8"	875	953	1,050	---	1,171	1,304	866	924	1,171
9"	1,065	1,151	1,278	1,632	1,394	1,524	--	1,060	1,367
10"	1,148	1,147	1,297	---	1,512	1,649	1,031	1,183	1,512
12"	1,286	1,340	1,479	---	1,670	1,828	1,216	1,302	1,828
14"	1,644	1,654	1,826	---	1,994	2,173	--	1,891	2,131
16"	---	1,891	2,022	---	2,134	2,344	--	2,203	2,528
18"	---	2,152	2,367	---	2,673	2,817	--	2,216	2,784
20"	---	2,347	2,606	---	3,107	3,410	--	2,485	3,107
22"	---	2,917	3,172	---	3,514	3,805	--	---	---
24"	---	3,477	3,707	---	3,935	4,117	---	4,049	4,049

Resegmting not available for Star Blue Core Bits or Dry Bits

*Call Customer Service Experts for Additional Services at 800-321-5336

CORE RIGS



**M-1
Complete/
Combo/Anchor**

THOUSANDS OF WAYS TO BUILD YOUR CUSTOM RIG

CHOOSE YOUR STAND

- Anchor Base
- Vacuum Base
- Combination Anchor/Vac Base

CHOOSE YOUR MOTOR

Consider:

- Maximum Bit Capacity
- Amps/Volts
- RPM Speed
- Mounted or Hand-Held
- Wet or Dry Drilling

CHOOSE ACCESSORIES

- Core Bore Adapters
- Core Bore Extensions
- Control Panel - Analog or Digital
- Base Vacuums
- Cords and Cord Adapters
- Custom Size Columns (Masts)
- Motor Mounts
- Water or Vacuum Swivels
- Spacer Blocks
- Roller Carriages
- Dust Control
- And More...



**M-2
Complete/
Combo/Anchor**

RIG MODELS:

- **M1AA** Portable Rig
- **M1** Complete Expert Rig
- **M2** Large Expert Rig
- **M3** Portable Stair Rig
- **M4** Portable Multipurpose Rig
- **M5** Heavy Duty Quick Disconnect Rig
- **M5-PRO** Pro Quick Disconnect Rig
- **M6** Large Hydraulic Rig

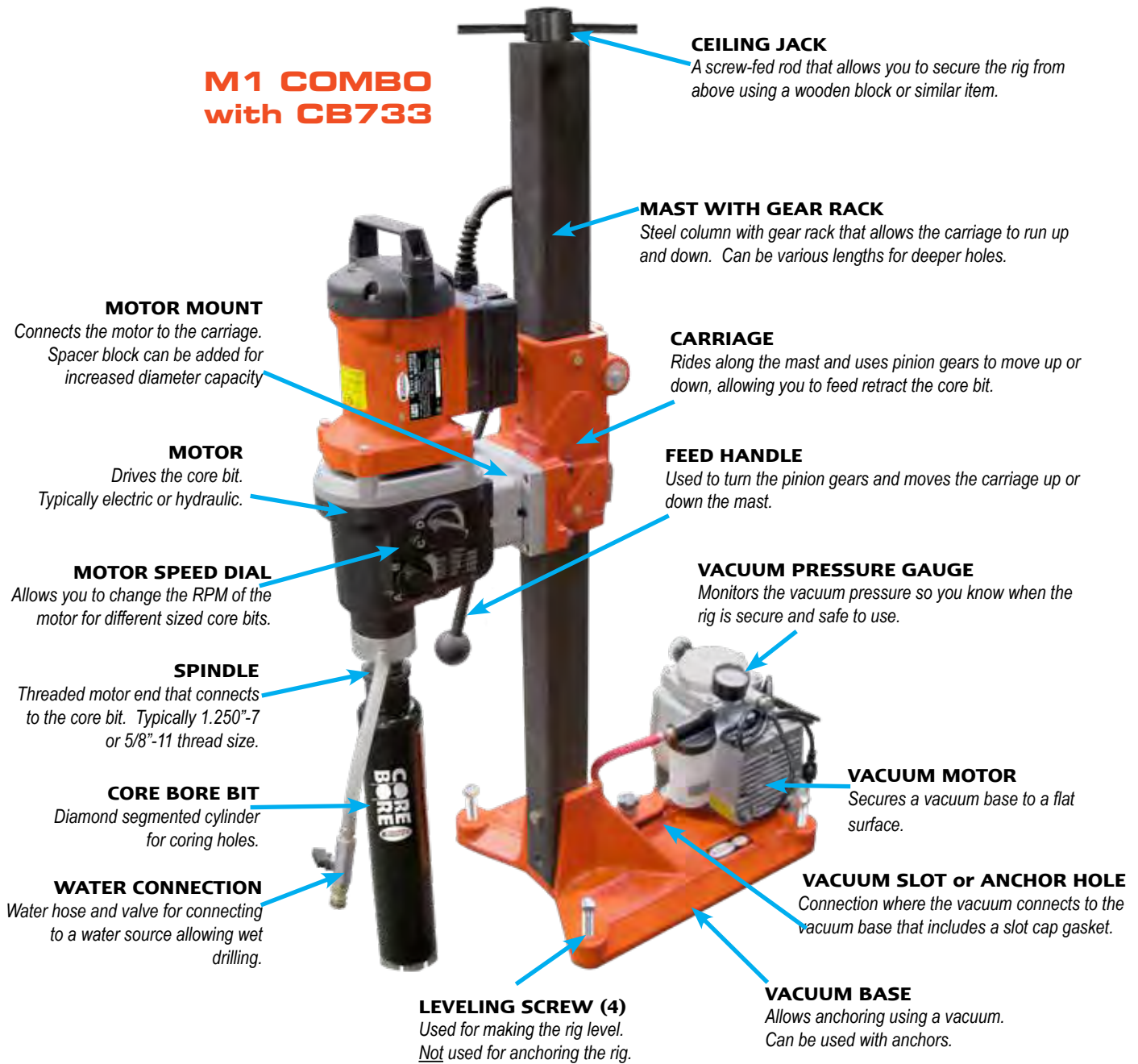
MOTORS:

- **CB733** Up to 16", 20 amp (120V or 230V) - LED amp meter
- **CB744** Up to 18", 25 amp (115V) - LED amp meter
- **Milwaukee** Models: 4004, 4005, 4096, 4097
- **WEKA**
 - DK22 - Up to 16", 23 amp (110V), 11 amp (230V) - 3-speed
 - DK32 - Up to 18", 30 amp (110V), 15 amp (230V) - 3 speed
 - DK38 - Up to 18", 16 amp (230V) - 18 speed
 - DK42 - Up to 20", 8.2 amp (460V- 3PH), 14.2 amp (230V 3PH)
 - DK52 - Up to 24", 9 amp (460V-3PH), 18 amp (230V-3PH)
 - SR75 - Up to 26", 14 amp (480V-3PH) 9-speed
- **HAND-HELD**
 - CB515 - up to 3" - 2-speed, 115 volt, wet drilling
 - DK12 - up to 3" - 3-speed, 14 amp (115V) - wet drilling
 - DK13 - up to 3" - 3-speed, 14 amp (115V) - dry or wet drilling
 - DK16 - up to 3" - 3-speed, 19 amp (110V) - wet drilling



CORE RIG & DRILLING BASICS

M1 COMBO with CB733



M1AA

CORE DRILLING SAFETY INFORMATION

- Check with the job site supervisor to identify any electrical lines, gas lines or other hazards that may be located in or under the slab or in or behind the wall that will be cored.
- Secure base of the rig stand to prevent movement during coring operations. **DO NOT STAND** on your core rig to anchor it down! Use proper anchor/vacuums to secure the rig to the surface.
- Provide for proper protection below the coring area to prevent any people from being struck by the falling core. A spotter is recommended.
- If you are using a vacuum to secure a rig to a wall, you must have another way to secure the rig in case power were to be cut off or shut down during drilling.



Convenience and Durability in a Light Weight Core Rig



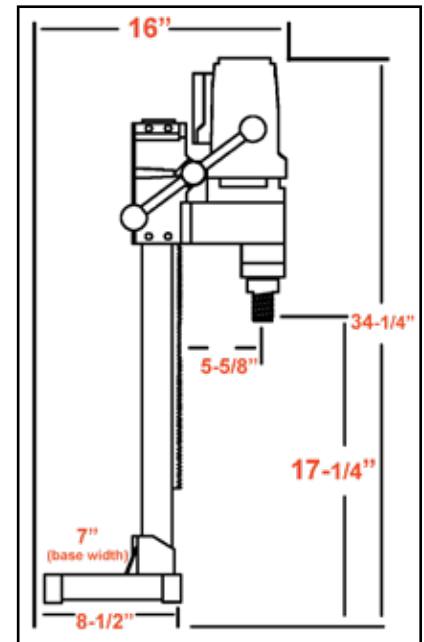
Bit not included

6" Bit Capacity

All-purpose vacuum base add-on option with vacuum pump allows you to use the M1AA anchor rig as a vacuum rig



Built-in LED Light Amp Meter



Location to drill anchor hole = 9-1/2" measured from the center of the motor spindle to the center of the anchor/vacuum slot on base

FEATURES

- Weighs only 35 lbs.
- Single speed-800 RPM
- Spring loaded slide handle for easy coring
- Convenient carrying handle on carriage
- Light weight and portable
- Uses standard power outlets
- Small compact unit for precise coring
- No separate amp meter box
- Includes trap ring that keeps water contained
- Lower cost alternative to larger rigs

M1AA PORTABLE DRILL RIG

Model #	Rig Type	Power	Motor RPM	Part #	Cat #	Product Weight (lbs.)	List Price
M1AA-15	Anchor rig	15amp	800	4220050	85986	35	\$1,444
M1AA-12	Anchor rig	12 amp, 220V	800	4220049	24024	35	1,554
M1AA-15	Complete rig with add-on vacuum base and vacuum pump	15 amp	800	4220058	87078	80	2,429
M1AA-12	Complete rig with add-on vacuum base and vacuum pump	12 amp, 220V	800	4220048	42687	80	2,659

M1AA RIG OPTIONS

Description	Part #	Cat #	List Price
Water Trap Ring	2704100	95186	\$136
36mm wrench	2704103	96047	43
48mm wrench	2704104	95631	43
All purpose vacuum base add-on only	4247075	01818	475
Vacuum pump only	4244078	01771	431



M-1 COMPLETE CORE RIG

Great for the General Contractor
#1 Selling Rig in the U.S.A.



M-1 Angle Combination Stand Only		
Part #	Cat #	List Price
4245062 for Milwaukee	01799	\$1,179



M-1 Standard Combination Stand Only		
Part #	Cat #	List Price
4245065	01801	\$973
4245092 for Weka, CB733 & CB744	07810	954

Motor mount plate for Milwaukee motors		
Part #	Cat #	List Price
4648029	02159	\$143

Special Combo Stand for Milwaukee motors		
Part #	Cat #	List Price
4241214	37567	\$1,895



M-1 Angle Anchor Stand Only		
Part #	Cat #	List Price
4246070	01809	\$1,037



M-1 Standard Anchor Stand Only		
Part #	Cat #	List Price
4246055	01806	\$846
4243055 for Weka, CB733 & CB744	77909	829



M-1 Complete Combination Rig with CB744 motor (control panel not needed)



M-1 Complete Anchor Rig with CB733 motor



MADE IN THE U.S.A.

10" Standard Bit Capacity, 14" w/Spacers
14" Standard Bit Capacity (CB733, CB744)

FEATURES

- 2-1/2" square column (mast) with black oxidized finish
- 6" wheels for easy mobility
- Dual switch/outlet control panel with amp meter (except for CB733 and CB744 models with LED amp meter)
- Vacuum pump for quick mounting to flat surface without drilling an anchor hole (included with combination rig)
- 4 leveling screws on the base
- Slide handle allows for drilling in tight areas
- Combination base changes from vacuum to anchor base
- Ceiling jack helps keep the rig in place as a backup for anchoring or vacuuming the base down (used with a brace piece-2 x 4 or other material)

M-1

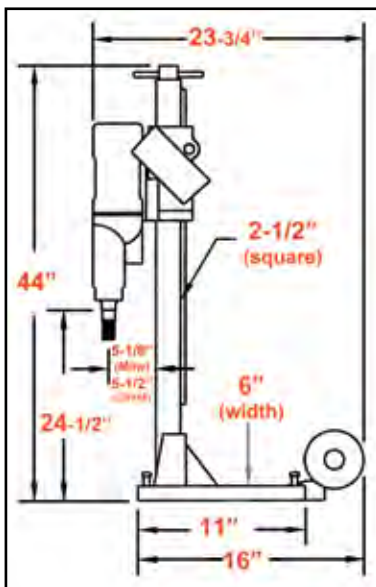


COMPLETE M-1 COMBINATION DRILL RIGS WITH VACUUM PUMP & CONTROL PANEL								INCLUDES:
Model #	Motor	Power	Motor RPM	Combo Rig Part #	Cat #	Product Weight (lbs.)	List Price	
M1C-20-CB733-V	Core Bore CB733	20 amp	550/1000/1600	4245112	85327	136	\$3,302	Combo Stand, Motor, Vacuum Pump, Control Panel
M1C-20-MW4004-V	Milwaukee	20 amp	300/600	4245048	01784	127	3,368	
M1C-20-MW4096-V	Milwaukee	20 amp	450/900	4245059	01794	127	3,368	
M1C-20-MW4005-V	Milwaukee	20 amp	600/1200	4245049	01785	127	3,368	
M1C-15-MW4097-V	Milwaukee	15 amp	500/1000	4245051	01787	127	3,320	
M1C-23-DK22-V	Weka DK22	23 amp	550/1120/1680	4245053	47173	127	4,736	
M1C-23-DK22S-V	Weka DK22S	23 amp	800/1640/2430	4245046	50138	127	4,736	
COMPLETE M-1 COMBINATION DRILL RIGS WITHOUT CONTROL PANEL (Control panel not needed - Includes LED meter and on/off switch on motor)								
M1C-20-CB733WO	Core Bore CB733	20 amp	550/1000/1600	4245115	39317	108	\$2,939	Combo Stand, Motor, Vacuum Pump
M1C-25-CB744WO	Core Bore CB744*	25 amp	385/530/975/1340	4245104	81050	110	3,843	
COMPLETE M-1 COMBINATION DRILL RIGS WITHOUT VACUUM PUMP								
M1C-20-MW4004	Milwaukee	20 amp	300/600	4245072	75375	108	\$2,972	Combo Stand, Motor, Control Panel
M1C-20-MW4096	Milwaukee	20 amp	450/900	4245073	67092	108	2,972	
M1C-20-MW4005	Milwaukee	20 amp	600/1200	4245074	74708	108	2,972	
M1C-15-MW4097	Milwaukee	15 amp	500/1000	4245075	70125	108	2,892	
M1C-23-DK22	Weka DK22	23 amp	550/1120/1680	4245077	71962	117	4,346	
M1C-23-DK22S	Weka DK22S	23 amp	800/1640/2430	4245078	72583	117	4,346	
COMPLETE M-1 COMBINATION DRILL RIGS WITHOUT VACUUM PUMP or CONTROL PANEL								
M1C--25-CB744WO	Core Bore CB744	25 amp	385/530/975/1340	4245111	81053	85	\$3,313	Combo Stand, Motor
COMPLETE M-1 ANCHOR DRILL RIGS								
M1A-20-MW4004	Milwaukee	20 amp	300/600	4245009	47162	91	\$2,822	Anchor Stand, Motor, Control Panel
M1A-20-MW4096	Milwaukee	20 amp	450/900	4245003	01776	91	2,822	
M1A-20-MW4005	Milwaukee	20 amp	600/1200	4245010	01782	91	2,822	
M1A-15-MW4097	Milwaukee	15 amp	500/1000	4245006	01780	91	2,740	
M1A-23-DK22	Weka DK22	23 amp	550/1120/1680	4245008	52339	95	4,194	
M1A-23-DK22S	Weka DK22S	23 amp	800/1640/2430	4245011	66795	95	4,194	
COMPLETE M-1 ANCHOR DRILL RIGS WITHOUT CONTROL PANEL (Control panel not needed - Includes LED meter and on/off switch on motor)								
M1A-20-CB733WO	Core Bore CB733	20 amp	550/1000/1600	4245114	39195	98	\$2,350	Anchor Stand, Motor
M1A-25-CB744	Core Bore CB744*	25 amp	385/530/975/1340	4245103	81054	98	3,248	

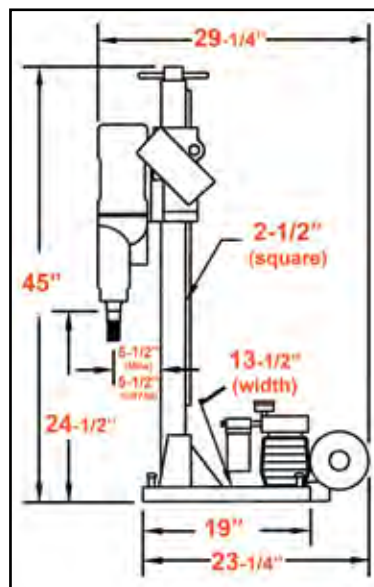
CB733 and CB744 motors do not require a control panel for operation. These motors include LED amp meter and on/off switch.

Over a Thousand Different Ways to Build Your Custom Rig!

Looking for a Quick Disconnect on Your M-1 Rig? Use Part # 4699961, Cat # 469830



M-1 ANCHOR
Location to drill anchor hole = 12" measured from the center of the motor spindle to the center of the anchor slot on base



M-1 COMBINATION
Location to drill anchor hole = 12-1/2" measured from the center of the motor spindle to the center of the anchor/vacuum slot on base



Vacuum base gasket provides a seal to keep the base vacuumed to the surface



M-2 HEAVY DUTY CORE RIG

The #1 Pro Rig in the U.S.A.



M-2 Anchor Rig with CB744 motor (no control panel needed)



M-2 Complete Combo Rig with Weka motor

Combination Stand Only		
Part #	Cat #	List Price
4241055	01700	\$1,416
4241058 w/roller carriage	01703	1,677
4243053 for Weka, CB733 & CB744	77218	\$1,389

Angle Combination Stand Only		
Part #	Cat #	List Price
4241056	01702	\$1,805

10" Standard Bit Capacity, 36" w/spacers
14" Standard Bit Capacity (CB733, CB744)

FEATURES

- Heavy duty rig for larger jobs and the professional driller
- Dual switch/outlet control panel with amp meter (except for CB733 and CB744 models with LED amp meter)
- 2-7/8" precision made, chrome plated square column (mast)
- Vacuum pump for quick mounting to flat surface without drilling an anchor hole (Included with combination rig)
- Combo base changes over from vacuum to anchor base
- 6" wheels for easy mobility
- 4 Leveling Screws on base
- Larger mast to withstand high torque and large diameter bits
- The 4-spoke handle allows the operator to easily apply feed pressure
- Optional roller carriage allows for more precise drilling
- Auto-feed option available

Upgrade your slide carriage to a heavy duty roller carriage, which lasts longer and gives precision movement. Order with new rigs or for existing rigs.



Anchor Stand Only		
Part #	Cat #	List Price
4241100	01714	\$1,247
4243054 for Weka, CB733 & CB744	77045	1,223

Large Base Anchor Stand Only		
Part #	Cat #	List Price
4241064	01708	\$1,416

Angle Anchor Stand Only		
Part #	Cat #	List Price
4241110	01717	\$1,630



MADE IN THE U.S.A.

M-2 Roller Carriage Upgrade (With New Rig)		
Part #	Cat #	List Price
4241000	01684	\$274

M-2 Roller Carriage Upgrade (Existing Rigs)		
Part #	Cat #	List Price
4277531	01844	\$1,055

M-2



COMPLETE M-2 COMBINATION DRILL RIGS WITH VACUUM PUMP INCLUDES:

Model #	Motor Make/Model	Power	Motor RPM	Part #	Cat #	Product Weight (lbs.)	List Price	Combo Stand, Motor, Vacuum Pump, Control Panel
M2C-20-MW4004-V	Milwaukee 4004	20 amp	300/600	4241048	01694	139	\$3,812	
M2C-20-MW4096-V	Milwaukee 4096	20 amp	450/900	4241059	01704	139	3,812	
M2C-20-MW4005-V	Milwaukee 4005	20 amp	600/1200	4241049	01695	139	3,812	
M2C-15-MW4097-V	Milwaukee 4097	15 amp	500/1000	4241051	59573	139	3,767	
M2C-23-DK22-V	Weka DK22	23 amp	550/1120/1680	4241068	47426	137	5,181	
M2C-23-DK22S-V	Weka DK22S	23 amp	800/1640/2430	4241069	50007	137	5,181	

COMPLETE M-2 COMBINATION DRILL RIGS WITHOUT CONTROL PANEL (Control Panel not needed - Includes LED meter and on/off switch on motor)

M2C-20-CB733WO	Core Bore CB733	20 amp	550/1000/1600	4245118	39330	118	\$3,377	Combo Stand, Motor, Vacuum Pump
M2C-25-CB744WO	Core Bore CB744*	25 amp	385/530/975/1340	4245107	81057	122	4,327	

COMPLETE M-2 COMBINATION DRILL RIGS WITHOUT VACUUM PUMP

M2C-20-MW4004	Milwaukee 4004	20 amp	300/600	4241083	76314	124	\$3,418	Combo Stand, Motor, Control Panel
M2C-20-MW4096	Milwaukee 4096	20 amp	450/900	4241084	75479	124	3,418	
M2C-20-MW4005	Milwaukee 4005	20 amp	600/1200	4241085	69558	124	3,418	
M2C-15-MW4097	Milwaukee 4097	15 amp	500/1000	4241086	76984	124	3,334	
M2C-23-DK22	Weka DK22	23 amp	550/1120/1680	4241088	73291	120	4,790	
M2C-23-DK22S	Weka DK22S	23 amp	800/1640/2430	4241089	75275	120	4,790	

COMPLETE M-2 ANCHOR DRILL RIGS

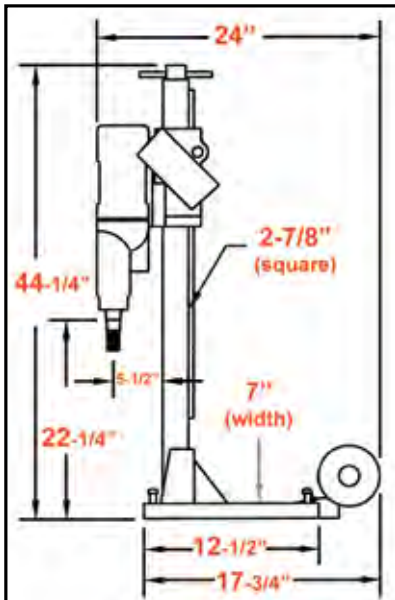
M2A-20-MW4004	Milwaukee 4004	20 amp	300/600	4241009	01692	114	\$3,248	Anchor Stand, Motor, Control Panel
M2A-20-MW4096	Milwaukee 4096	20 amp	450/900	4241003	01687	114	3,248	
M2A-20-MW4005	Milwaukee 4005	20 amp	600/1200	4241010	01693	114	3,248	
M2A-15-MW4097	Milwaukee 4097	15 amp	500/1000	4241006	01689	114	3,165	
M2A-23-DK22	Weka DK22	23 amp	550/1120/1680	4241008	01691	114	4,620	
M2A-23-DK22S	Weka DK22S	23 amp	800/1640/2430	4241011	52247	114	4,620	

COMPLETE M-2 ANCHOR DRILL RIGS WITHOUT CONTROL PANEL (Control panel not needed - Includes LED meter and on/off switch on motor)

M1C-20-CB733WO	Core Bore CB733	20 amp	550/1000/1600	4245117	39324	110	\$2,715	Anchor Stand, Motor
M1C-25-CB744WO	Core Bore CB744*	25 amp	385/530/975/1340	4245106	81062	115	3,711	

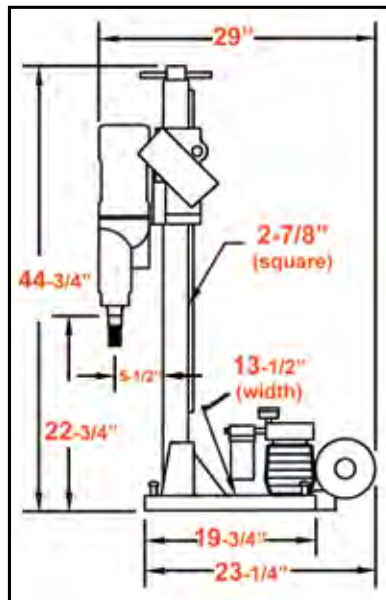
CB733 and CB744 motors do not require a control panel for operation. These motors include LED amp meter and on/off switch.

Over a Thousand Different Ways to Build Your Custom Rig!
Looking for a Quick Disconnect on Your M-2 Rig? Use Part # 4699961, Cat # 469830



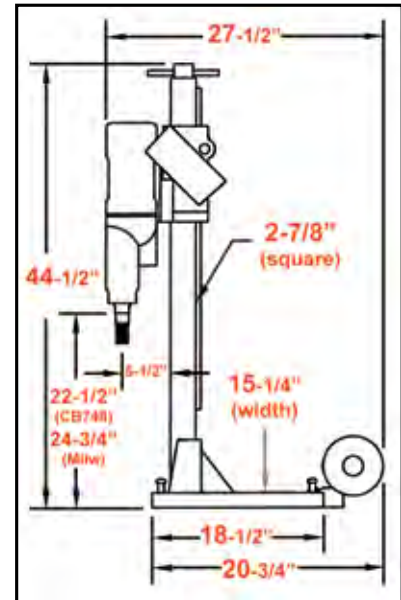
M-2 ANCHOR

Location to drill anchor hole = 12" measured from the center of the motor spindle to the center of the anchor slot on base



M-2 COMBO

Location to drill anchor hole = 12" measured from the center of the motor spindle to the center of the anchor/vacuum slot on base



M-2 LARGE ANCHOR

Location to drill anchor hole = 12-1/2" measured from the center of the motor spindle to the center of the anchor slot on base



M-3 LIGHT WEIGHT STAIR RIG

Allows You to Remove the Motor To Use with Hand-Held Applications



34" overall mast height

Anchor Stand Only for Milwaukee & CB Motors

Part #	Cat #	List Price
4247540	01823	\$ 729

Anchor Stand Only for WEKA Motors

Part #	Cat #	List Price
4247541	48110	\$ 722



Bit not included

Part # 4247405

6" Standard Bit Capacity, 3" (hand held)

FEATURES

- Single switch outlet control panel with amp meter (except for CB733 and CB744 models with LED amp meter)
- 1-1/2" square column (mast) with black oxidized finish
- Swivel base and mast can turn 360° for easy drilling on stairs
- 4 leveling screws on the base
- Wheel kit on anchor models
- Light weight and economical
- Slide handle permits drilling in tight areas
- Compact size for hard-to-reach drilling areas
- Ceiling jack helps keep the rig in place as a backup for anchoring or vacuuming the base down (used with a brace piece-2x4 or other material)
- Weka models allow the motor to be unmounted and used hand-held



30" overall swivel mast height

Combo Stand Only for Milwaukee & CB Motors

Part #	Cat #	List Price
4247546	01825	\$ 771

Combo Stand Only for WEKA Motors

Part #	Cat #	List Price
4247547	49709	\$ 787



Vacuum Seal Retention Keeps Vacuum Gasket Held Into the Base Longer for a Durable Seal



MADE IN THE U.S.A.

M-3



M-3 COMBINATION DRILL RIGS WITH VACUUM PUMP INCLUDES:

MODEL #	MOTOR	RPM	Part #	Cat #	Product Weight (lbs.)	List Price
M3C-14-DK12-V	14 Amp Weka DK12	970/2330/4400	4247405	01819	84	\$3,639
M3C-14-DK13-V	14 Amp Weka DK13	970/2330/4400	4247406	87271	84	4,178
M3C-15-MW4097-V	15 Amp Milwaukee	500/1000	4247435	01820	90	3,247
M3C-20-MW4004-V	20 Amp Milwaukee	300/600	4247538	10165	90	3,332
M3C-20-MW4096-V	20 Amp Milwaukee	450/900	4247530	54220	90	3,364
M3C-20-MW4005-V	20 Amp Milwaukee	600/1200	4247539	01822	90	3,364

Combo Stand, Motor, Control Panel, Vacuum Pump

M-3 COMBINATION DRILL RIGS WITHOUT VACUUM PUMP

M3C-14-DK12	14 Amp Weka DK12	970/2330/4400	4247437	76919	63	\$3,208
M3C-15-MW4097	15 Amp Milwaukee	500/1000	4247438	65890	63	2,749
M3C-20-MW4004	20 Amp Milwaukee	300/600	4247441	10166	68	2,823
M3C-20-MW4096	20 Amp Milwaukee	450/900	4247442	70581	68	2,823
M3C-20-MW4005	20 Amp Milwaukee	600/1200	4247443	10168	68	2,823

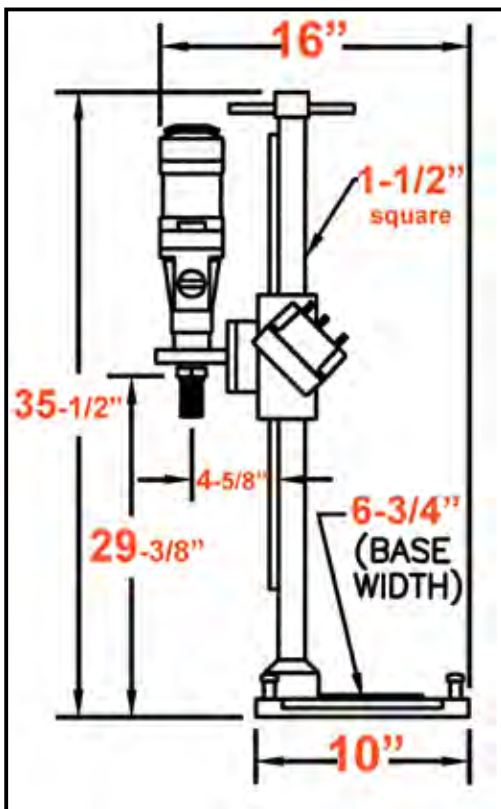
Combo Stand, Motor, Control Panel

M-3 ANCHOR DRILL RIGS

M3A-14-DK12	14 Amp Weka DK12	970/2330/4400	4247001	01811	68	\$3,153
M3A-15-MW4097	15 Amp Milwaukee	500/1000	4247003	01813	68	2,696
M3A-20-MW4004	20 Amp Milwaukee	300/600	4247009	49990	70	2,778
M3A-20-MW4096	20 Amp Milwaukee	450/900	4247008	47280	70	2,778
M3A-20-MW4005	20 Amp Milwaukee	600/1200	4247010	01817	70	2,778

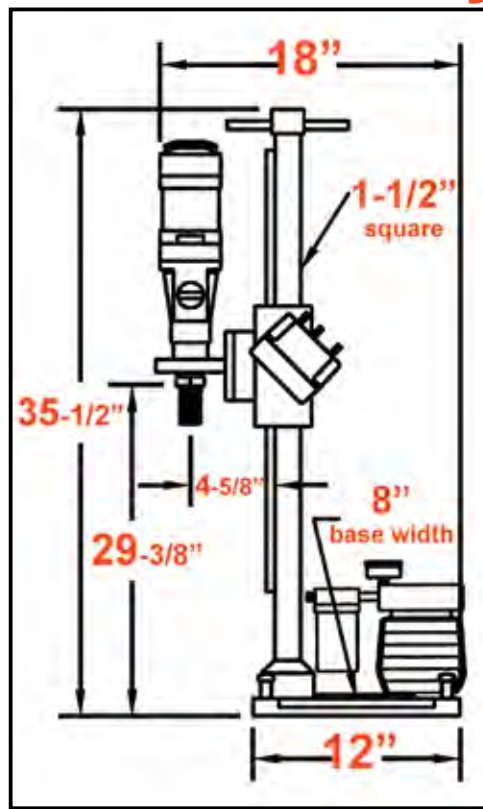
Anchor Stand, Motor, Control Panel

Over a Thousand Different Ways to Build Your Custom Rig!



M-3 ANCHOR

Location to drill anchor hole = 12" measured from the center of the motor spindle to the center of the anchor slot on base



M-3 COMBO

Location to drill anchor hole = 11-1/2" measured from the center of the motor spindle to the center of the anchor/vacuum slot on base



M-4 MULTI-PURPOSE CORE RIG

Great Versatility in a Light Weight Rig



(30" mast)



(42" mast)



Bits not included

Anchor Stand Only for Weka Motor

Part #	Cat #	List Price
4240024	47074	\$800

For Milwaukee Motor

4240027	47860	\$800
---------	-------	-------

Combination Stand Only for Weka Motor

Part #	Cat #	List Price
4240022	47885	\$1,060

For Milwaukee Motor

4240026	47564	\$1,060
---------	-------	---------

6" Standard Bit Capacity, 3" (hand held)

FEATURES

- Great for the general contractor (basic drilling) or plumber (hand-held drilling), electrical or mechanical contractor
- Reversible slide handle (for use on left or right side)
- High strength, hard anodized 1-5/8" x 2" aluminum column
- Top carrying handle
- Quick release motor mount
- Carriage lock
- Leveling bolts on all model bases
- Hand-held option
- 4 Leveling screws on base
- Light weight and portable
- Combo bases have angle braces for drilling up to 45°
- 4 adjustable slide bearings provide superior carriage rigidity
- Quick change over from vacuum to anchor base

Swivel masts can be rotated 360°



(30" mast)



(30" mast)

Combination Angle Stand Only for Weka Motor

Part #	Cat #	List Price
4240020	01680	\$76

For Milwaukee Motor

4240025	01683	\$1,060
---------	-------	---------

Swivel Combo Stand Only for Weka Motor

Part #	Cat #	List Price
4240028	47778	\$959

For Milwaukee Motor

4240029	59343	\$938
---------	-------	-------



Vacuum seal retention keeps vacuum gasket held into the base longer for a durable seal



MADE IN THE U.S.A.

M-4



M-4 COMPLETE COMBINATION DRILL RIGS WITH VACUUM PUMP INCLUDES:

Model #	Motor	RPM	Part #	Cat #	Product Weight (lbs.)	List Price
M4C-14-DK12-V	14 Amp Weka DK12	970/2330/4400	4240001	00020	74	\$3,570
M4C-14-DK13-V	14 Amp Weka DK13	970/2330/4400	4240044	51033	74	3,803
M4C-19-DK16-V	19 Amp Weka DK16 (110V)	900/1900/3900	4240054	98393	74	3,836
M4C-15-MW4097-V	15 Amp Milwaukee	500/1000	4240002	01677	85	3,221
M4C-20-MW4004-V	20 Amp Milwaukee	300/600	4240004	46815	85	3,300
M4C-20-MW4096-V	20 Amp Milwaukee	450/900	4240005	01678	85	3,300
M4C-20-MW4005-V	20 Amp Milwaukee	600/1200	4240006	01679	85	3,300
M4C-7-DK12-V	7 Amp Weka DK12 (230V)	970/2330/4400	4240009	60114	74	4,051

Combo Stand, Motor, Vacuum Pump

M-4 COMPLETE COMBINATION DRILL RIGS WITHOUT VACUUM PUMP

M4C-14-DK12	14 Amp Weka DK12	970/2330/4400	4240046	66489	67	\$3,139
M4C-14-DK13	14 Amp Weka DK13	970/2330/4400	4240047	66975	67	3,370
M4C-19-DK16	19 Amp Weka DK16 (110V)	900/1900/3900	4240057	08871	67	3,364
M4C-15-MW4097	15 Amp Milwaukee	500/1000	4240048	68601	68	2,780
M4C-20-MW4004	20 Amp Milwaukee	300/600	4240050	89951	68	2,859
M4C-20-MW4096	20 Amp Milwaukee	450/900	4240051	72631	68	2,859
M4C-20-MW4005	20 Amp Milwaukee	600/1200	4240052	76402	68	2,859
M4C-7-DK12	7 Amp Weka Dk12 (230V)	970/2330/4400	4240053	10169	66	3,618

Combo Stand, Motor

M-4 COMPLETE ANCHOR DRILL RIGS

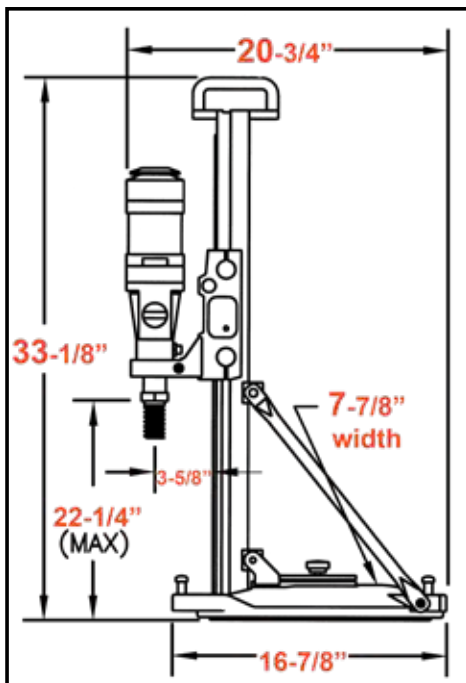
M4A-14-DK12	14 Amp Weka DK12	970/2330/4400	4240010	46871	67	\$2,960
M4A-14-DK13	14 Amp Weka DK13 Dry	970/2330/4400	4240045	61221	67	3,231
M4A-19-DK16	19 Amp Weka DK16 (110V)	900/1900/3900	4240055	98683	70	3,275
M4A-15-MW4097	15 Amp Milwaukee	500/1000	4240011	48859	63	2,549
M4A-20-MW4004	20 Amp Milwaukee	300/600	4240013	69636	63	2,625
M4A-20-MW4096	20 Amp Milwaukee	450/900	4240014	52505	63	2,625
M4A-20-MW4005	20 Amp Milwaukee	600/1200	4240015	58320	63	2,625
M4A-7-DK12	7 Amp Weka DK12 (230V)	970/2330/4400	4240016	87938	68	3,441

Anchor Stand, Motor

M-4 COMPLETE SWIVEL DRILL RIGS WITH VACUUM PUMP

M4S-14-DK12	14 Amp Weka DK12	580/1400/2900	4240030	46983	76	\$3,434
M4S-19-DK16	19 Amp Weka DK16 (110V)	900/1900/3900	4240056	98684	76	3,700
M4S-15-MW4097	15 Amp Milwaukee	500/1000	4240031	80917	84	3,116
M4S-20-MW4004	20 Amp Milwaukee	300/600	4240033	10170	84	3,161
M4S-20-MW4096	20 Amp Milwaukee	450/900	4240034	68389	84	3,193
M4S-20-MW4005	20 Amp Milwaukee	600/1200	4240035	93513	84	3,193
M4S-7-DK12	7 Amp Weka DK12 (230V)	970/2330/44 00	4240036	76985	80	3,990

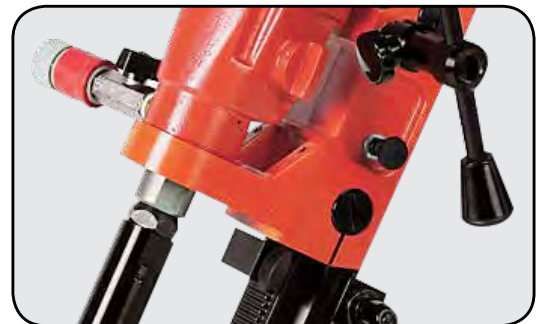
Combo Swivel Stand, Motor, Vacuum Pump



M-4

Location to drill anchor hole =
9-3/4" (combo rig),
9-1/4" (anchor rig)

Measured from the center of the motor spindle to the center of the anchor/vacuum slot on base (*Complete Anchor Rig does not have a vacuum slot on base)



The motor, quick release allows you to take the motor out and use hand-held (Weka DK12 and DK13 only)



M-5 HEAVY DUTY QUICK DISCONNECT CORE RIG

The Lightest Big Rig On The Market!



Anchor Stand Only			
Mast Size	Part #	Cat #	List Price
40" Mast	4220080	46987	\$1,332
50" Mast	4220082	59150	1,435
60" Mast	4220081	58402	1,537



Bits not included

12" Standard Bit Capacity, 20" w/Spacers
 16" Standard Bit Capacity (CB733, CB744)

FEATURES

- Quick release motor mount
- 4-spoke sliding handle (can be used on right or left)
- Positive carriage lock
- 2-1/2" x 3" extruded aluminum light weight column (mast) that is hard anodized to prevent wear
- Quick release vacuum button
- Top carrying handle (ceiling jack available)
- Large bit capacity in a smaller rig system
- Allows for mounting hydraulic motors
- Angle stand to drill up to 45°
- Double column support for increased stability
- Easily adjustable slide bearings



The M-5 has a quick disconnect motor mount that makes it easy to remove the motor



Combination Angle Stand Only			
Mast Size	Part #	Cat #	List Price
40" Mast	4220030	46894	\$1,658
50" Mast	4220032	51407	1,751
60" Mast	4220031	60833	1,788



MADE IN THE U.S.A.



Vacuum seal retention keeps vacuum gasket held into the base longer for a durable seal

*Spacer blocks and Quick Disconnect Outriggers are found on page 205. Special plate needed for hydraulic motor



M-5

M-5 HEAVY DUTY QUICK DISCONNECT CORE RIG



M-5 COMBINATION DRILL RIGS WITH VACUUM PUMP INCLUDES:

Model #	Motor	Motor RPM	Part #	Cat #	Product Weight (lbs.)	List Price
M5C-23-DK22-V	23 Amp Weka DK22	550/1120/1680	4220001	47175	125	\$5,596
M5C-23-DK22S-V	23 Amp Weka DK22S	800/1640/2430	4220002	49581	125	5,596
M5C-20-CB744-V	25 Amp Core Bore CB744*	385/530/975/1340	4245110	81063	130	4,528
M5C-20-MW4004-V	20 Amp Milwaukee	300/600	4220005	59637	119	4,188
M5C-20-MW4096-V	20 Amp Milwaukee	450/900	4220006	47172	119	4,188
M5C-20-MW4005-V	20 Amp Milwaukee	600/1200	4220007	69870	119	4,188
M5C-15-MW4097-V	15 Amp Milwaukee	500/1000	4220009	56171	119	4,098
M5C-11-DK22-V	11 Amp Weka DK22 (230V)	550/1120/1680	4220010	62089	114	5,557
M5C-11-DK22S-V	11 Amp Weka DK22S (230V)	800/1640/2430	4220011	49825	114	5,557

Combo Stand, Motor, Control Panel, Vacuum Pump

M-5 COMBINATION DRILL RIGS WITHOUT CONTROL PANEL (Control panel not needed - Includes LED meter and on/off switch on motor)

M5C-20-CB733WO	Core Bore CB733	550/1000/1600	4245121	39420	108	\$3,918
M5C-25-CB744WO	Core Bore CB744*	385/530/975/1340	4245110	81063	110	4,528

Combo Stand, Motor, Vacuum Pump

M-5 COMBINATION DRILL RIGS WITHOUT VACUUM PUMP

M5C-23-DK22	23 Amp Weka DK22	550/1120/1680	4220017	70410	105	\$5,022
M5C-23-DK22S	23 Amp Weka DK22S	800/1640/2430	4220018	70564	105	5,022
M5C-20-CB744	25 Amp Core Bore CB744*	385/530/975/1340	4245108	81064	105	4,083
M5C-20-MW4004	20 Amp Milwaukee	300/600	4220020	66833	99	3,758
M5C-20-MW4096	20 Amp Milwaukee	450/900	4220021	70023	99	3,758
M5C-20-MW4005	20 Amp Milwaukee	600/1200	4220022	74223	99	3,758
M5C-15-MW4097	15 Amp Milwaukee	500/1000	4220024	72396	99	3,672
M5C-11-DK22	11 Amp Weka DK22 (230V)	550/1120/1680	4220025	10187	98	5,072
M5C-11-DK22S	11 Amp Weka DK22S (230V)	800/1640/2430	4220026	84682	98	5,174

Combo Stand, Motor, Control Panel

M-5 ANCHOR DRILL RIGS

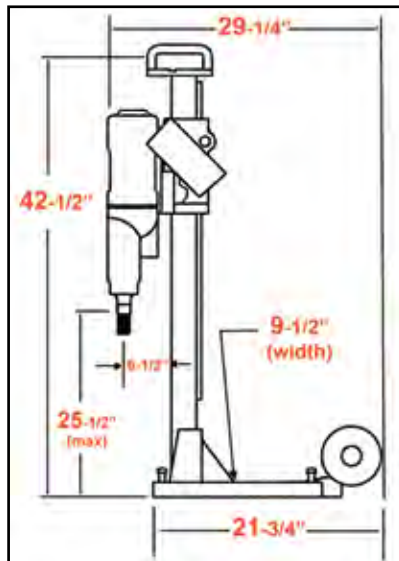
M5A-23-DK22	23 Amp Weka DK22	550/1120/1680	4220051	47688	87	\$4,844
M5A-23-DK22S	23 Amp Weka DK22S	800/1640/2430	4220052	66630	87	4,844
M5A-20-CB744	25 Amp Core Bore CB744*	385/530/975/1340	4245109	81065	91	3,891
M5A-20-MW4004	20 Amp Milwaukee	300/600	4220055	72845	91	3,403
M5A-20-MW4096	20 Amp Milwaukee	450/900	4220056	57905	91	3,403
M5A-20-MW4005	20 Amp Milwaukee	600/1200	4220057	47176	91	3,403
M5A-15-MW4097	15 Amp Milwaukee	500/1000	4220059	10190	91	3,319
M5A-11-DK22	11 Amp Weka DK22 (230V)	550/1120/1680	4220060	54577	86	4,894
M5A-11-DK22S	11 Amp Weka Dk22S (230V)	800/1640/2430	4220061	70390	86	4,991

Anchor Stand, Motor, Control Panel

M-5 ANCHOR DRILL RIGS WITHOUT CONTROL PANEL

M5C-20-CB733WO	Core Bore CB733	550/1000/1600	4245120	39390	90	\$2,860
M5C-25-CB744WO	Core Bore CB744*	385/530/975/1340	4245109	81065	96	3,891

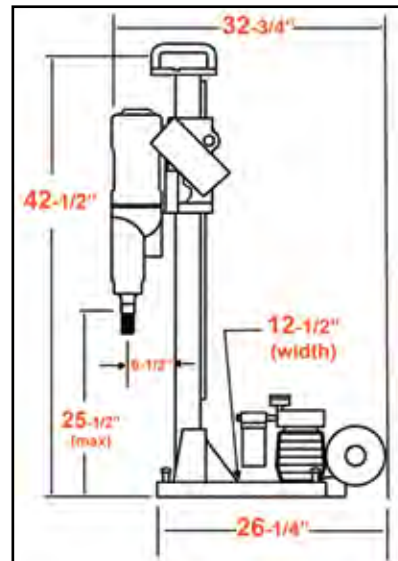
Anchor Stand, Motor



CB733 and CB744 motors do not require a control panel for operation. These motors include LED amp meter and on/off switch.

M-5 ANCHOR

Location to drill anchor hole = 13-1/2" measured from the center of the motor spindle to the center of the anchor slot on base



M-5 COMBO

Location to drill anchor hole = 13" measured from the center of the motor spindle to the center of the anchor/vacuum slot on base

M-5



M-5 PRO H. D. QUICK DISCONNECT CORE RIG

The Fastest Professional Quick-Disconnect



Anchor Rig

M-5 PRO
Combination Rig with CB744 motor
(Control panel not needed with
CB733 or CB744 motors)

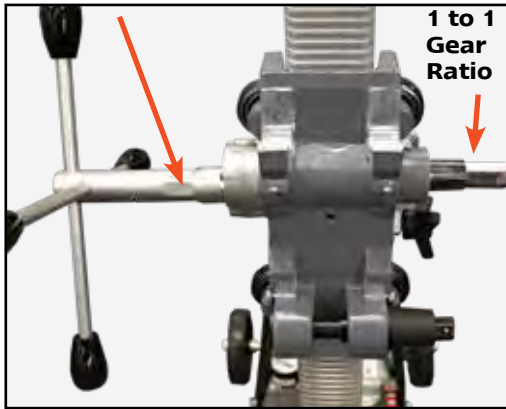


MADE IN THE
U.S.A.



Bit not included

3 to 1 Gear Reduction

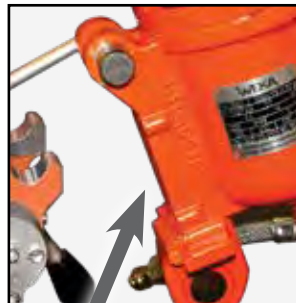


1 to 1
Gear
Ratio

2 Gear Ratios



Non-integrated motor mount
with adapter for use with
standard mounting motors



Integrated motor mount for
Weka DK22F and DK32F only

11" Standard Bit Capacity
16" Standard Bit Capacity (CB733, CB744)

FEATURES

- Quick disconnect motor mount that makes it easy to remove the motor
- 4-spoke handle (can be used on right or left) on combo rig
- Positive carriage lock and friction lock
- Extruded aluminum light weight column (mast) that has a reinforced track with steel roller guide and rollers
- Dual control panel/amp meter included with combination rigs
- Quick release vacuum button
- Convenient carrying handle
- Level bubble on column
- 2 gear ratios for easy carriage feed
- Angle stand to drill up to 45°



Q.D. Adapter		
Part #	Cat #	List Price
4600204	38765	\$114

See page 205
For Quick Disconnect
Outriggers!

Note: Older motor mounts and outriggers do not fit the M-5 Pro

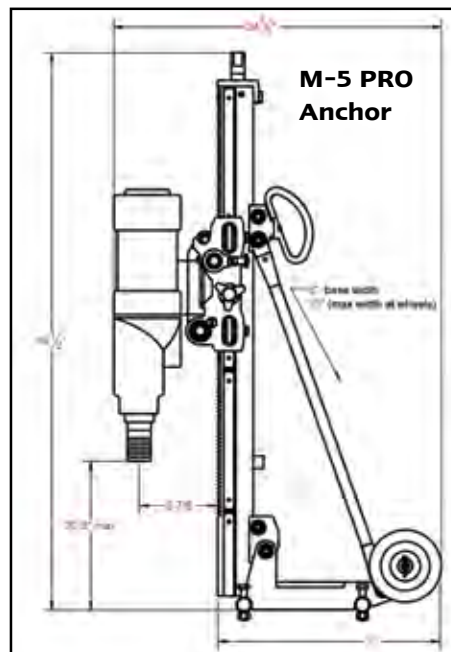
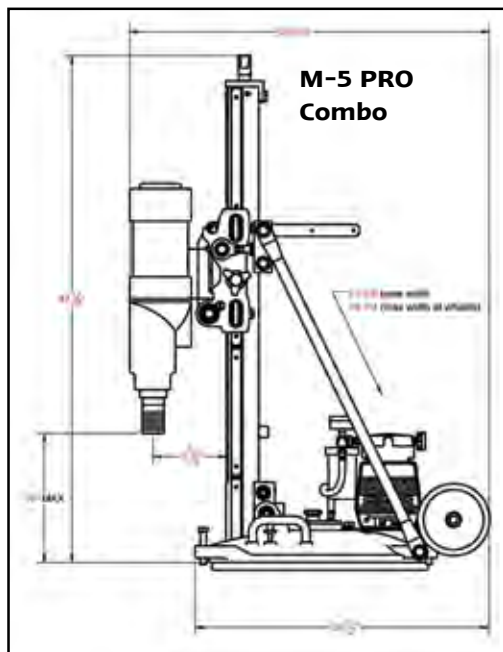
M-5 PRO



M-5 PRO COMBINATION DRILL RIGS WITH VACUUM PUMP							INCLUDES:
Model #	Motor	Motor RPM	Part #	Cat #	Product Weight (lbs)	List Price	Combo Stand, Motor, Vacuum Pump, Control Panel
M5PC-DK32-110V	Weka DK32F	380/800/1200	4220042	38753	119	6,650	
M5PC-DK32-230V	Weka DK32F	380/800/1200	4220043	38757	119	6,650	
M-5 PRO COMBINATION DRILL RIGS WITHOUT CONTROL PANEL (Control panel not needed - Includes LED meter and on/off switch on motor)							
M5PC-CB733-WOCP	CB733	550/1000/1600	4220095	39455	115	\$4,403	Combo Stand, Motor, Vacuum Pump
M5PC-CB744-WOCP	CB744	385/530/975/1340	4220092	81600	119	4,677	
M-5 PRO COMBINATION DRILL RIGS WITHOUT VACUUM PUMP							
M5PC-DK32-110	Weka DK32F	380/800/1200	4220066	38761	119	6,165	
M5PC-DK32-230	Weka DK32F	380/800/1200	4220067	38762	119	6,165	
M-5 PRO ANCHOR DRILL RIGS							
M5PA-DK32-110	Weka DK32F	380/800/1200	4220076	47831	94	5,778	
M5PA-DK32-230	Weka DK32F	380/800/1200	4220077	45062	94	5,778	
M-5 PRO ANCHOR DRILL RIGS WITHOUT CONTROL PANEL (Control panel not needed - Includes LED meter and on/off switch on motor)							
M5PA-CB733-WOCP	CB733	550/1000/1600	4220097	39533	93	\$4,028	Anchor Stand, Motor,
M5PA-CB744-WOCP	CB744	385/530/975/1340	4220094	81604	96	4,523	

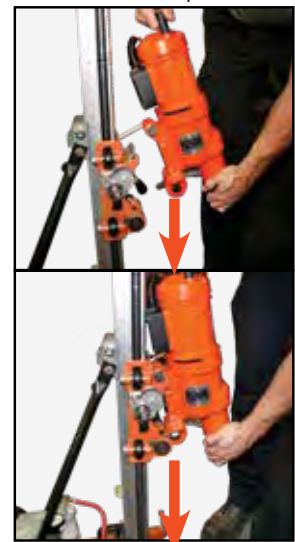
CB733 and CB744 motors do not require a control panel for operation. These motors include LED amp meter and on/off switch.

M-5 PRO ACCESSORIES				
Description	Part #	Cat #	Weight (lbs.)	List Price
M-5 PRO Anchor Drill Stand Only (39" LONG MAST)	4220071	47807	65	\$2,882
M-5 PRO Combo Drill Stand Only (39" mast)	4220070	38764	72	2,646
M-5 PRO Quick Disconnect Motor Mount Assembly	4600204	38765	5	114
M-5 PRO Quick Disconnect Outrigger Assy (Add 7" of drilling diameter)	4400252	38766	10	311
M-5 PRO Quick Disconnect Outrigger Assy (Add 10" of drilling diameter)	4400253	38767	10	335



Easy Quick Disconnect Allows For Faster Coring That Cuts Job Costs

When attaching a motor that does not have the integrated motor mount, use Q.D. adapter



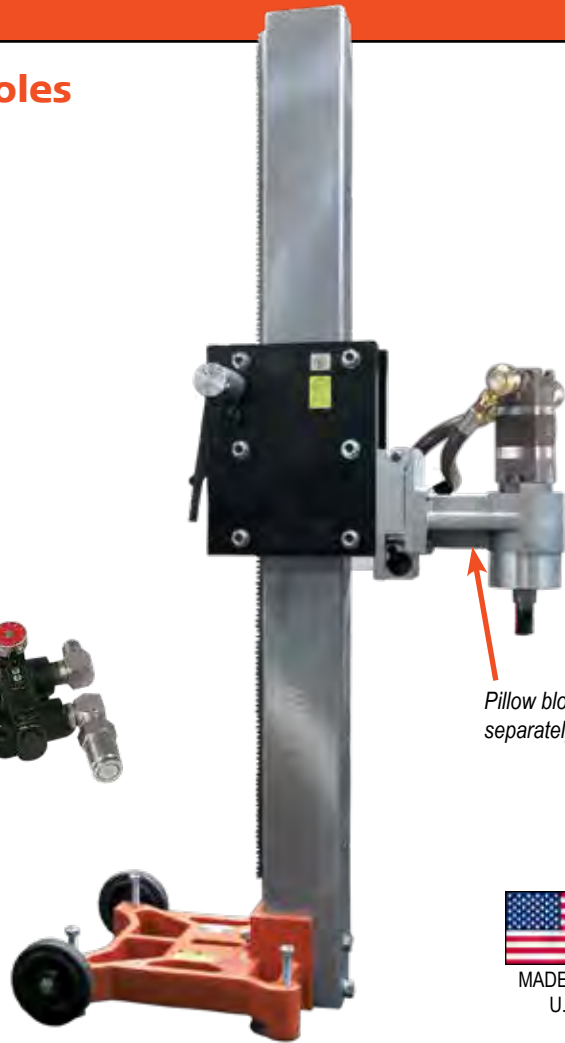


M-6 LARGE HYDRAULIC CORE RIG

Makes Drilling Large Diameter Holes Faster and Safer



The M-6 Uses Hydraulic Motors,
Pillow Blocks and Flow Control Valves
See page 182 for Hydraulic Components and
page 183 Drilling Accessories



Pillow block sold separately



MADE IN THE
U.S.A.

M-6



See page 159 for large
diameter core bits

72" Bit Capacity (with spacers)

FEATURES

- 18" bit capacity with standard pillow block.
- Add-on 4"x6" steel tube spacers available for drilling up to 72" diameter holes.
- Heavy duty 15" x 12" roller carriage
- Massive 72" tall, 4" x 6" rectangular mast
- Sturdy cast aluminum base (steel base optional)
- 4-spoke handles
- Wheel kit and leveling bolts
- 6" rubber wheels on stand base
- The large size and heavy duty construction makes the M-6 a safer way to drill with large diameter core bits
- Sold as a stand only so you can create your own system for your applications
- 2:1 gear reduction makes lifting larger bits easy

M-6 DRILL STANDS ONLY

Description	Part #	Cat #	Product Weight (lbs.)	List Price
Large anchor stand with wheels, and quick disconnect motor mount plate	4277581	47879	175	\$3,857
Large anchor stand with roller carriage and 120" mast	4277591	13971	195	3,951
M-6 steel anchor base only	4640083	78638	145	1,118

*Spacer blocks are found on page 143



Optional Steel Base Assembly

Includes: base, wheels, leveling bolts and hardware

M-6 Base Only		
Part #	Cat #	List Price
4640083	78638	\$1,118



M-6 Heavy Duty Roller Carriage

With cam lock quick disconnect 1:1 and 1:2 rack & pinion design and roller adjusters (included with M-6 stand only)

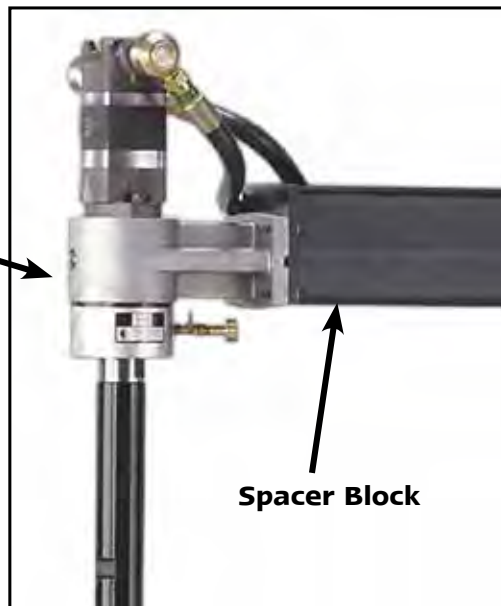
M-6 Roller Carriage		
Part #	Cat #	List Price
4640114	00973	\$2,453



M-6 Autofeed QD Carriage Assembly

With cam lock quick disconnect

M-6 Autofeed QD Carriage Assembly		
Part #	Cat #	List Price
4640115	14951	\$4,497

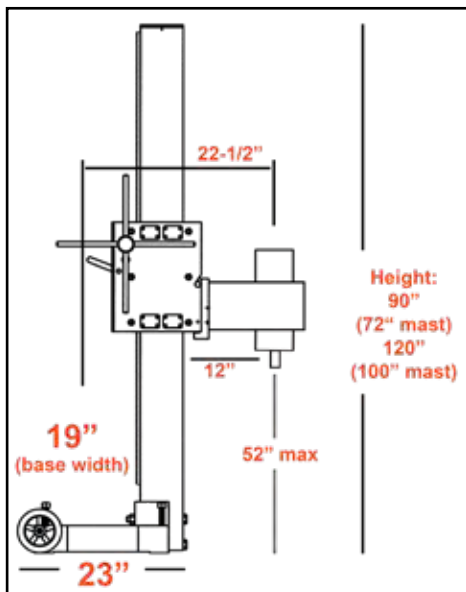


Pillow Block

Spacer Block

M-6 Pillow Block

M-6 Spacer Blocks			
Capacity	Part #	Cat #	List Price
Up to 36"	4640026	47072	\$163
Up to 48"	4640025	47073	178



Mast sizes:

- 60" Part # 4640123, Cat # 14562 \$1,304
- 72" Part # 4640000, Cat # 47837 \$1,565
- 96" Part # 4640042, Cat # 52380 \$2,023
- 120" Part # 4640063, Cat # 55510 \$2,483



HYDRAULIC DRILL MOTORS



Hydraulic motor with pillow block.



Mounted Hydraulic Motors

Danfoss, Char-Lynn and White Motors

Mounted into a pillow block with spindle. The core bit is then attached to the spindle for drilling. Motors include hydraulic hose connections.

RECOMMENDED BIT RPMs	
Bit Diameter	Recommended RPM
1"	3200
2"	1600
3"	1050
4"	800
6"	530
8"	400
10"	320
12"	265
14"	225
18"	175
20"	160
24"	130
36"	85
42"	75

See complete RPM chart on page 92

HYDRAULIC MOTOR RPM CHART-MAXIMUM RPM WITH CUBIC INCH DISPLACEMENT & GPM COMBINATIONS

	Danfoss Motor				Char-Lynn Motor								White Motor	
	.77	1.16	1.55	1.94	4.9	6.2	8.0	9.6	11.9	14.9	18.7	24.0	32.0	45.6
Cubic Inch	.77	1.16	1.55	1.94	4.9	6.2	8.0	9.6	11.9	14.9	18.7	24.0	32.0	45.6
Part #	4250012	4250013	4250014	4250015	4250008	4250007	4250006	4250005	4250004	4250002	4250000	4250003	4250010	4250011
Cat #	01836	01837	01838	01839	01833	47655	01832	01831	01830	01828	01826	01829	01834	01835
List Price	\$1,305	\$1,305	\$1,305	\$1,344	\$1,867	\$1,867	\$1,867	\$1,867	\$1,867	\$1,867	\$1,867	\$1,867	\$2,212	\$2,212
Part # without hoses	2600061	2600062	2600063	2600064	2600035	2600036	2600037	2600038	2600039	2600040	2600041	2600071	2600030	2600072
Cat # without hoses	79166	00459	00460	60281	72115	54629	66922	93802	57887	00451	96417	59570	42499	65754
List Price	\$924	\$941	\$968	\$1,124	\$956	\$940	\$1,058	\$980	\$964	\$986	\$1,011	\$1,049	\$1,388	\$1,458
8 GPM	2640	1680	1232	973	377	298	231	193	155	124	99	77	58	41
12 GPM	N/A	2520	1848	1459	566	447	347	289	233	186	148	116	87	61
20 GPM	N/A	N/A	N/A	2553	990	782	606	505	408	326	259	202	152	106
25 GPM	N/A	N/A	N/A	N/A	1226	969	751	626	505	403	321	250	188	132

HYDRAULIC DRILL MOTORS

To choose the right hydraulic motor for your application, follow this formula:
Closest G.P.M. of your power unit + closest RPM of core bit on the Bit RPM chart above and match these values on the chart above to get the Cubic Inch of the motor you need.



CORE BORE

4 HP Hand Held Hydraulic Motor

- 3-speed with slip clutch
- 300/800/1600 RPM
- 1.250"-7 spindle (6" capacity)
- 13 GPM maximum flow

4 HP Hand Held Hydraulic Motor		
Part #	Cat #	List Price
4244057	47075	\$6,315



CORE BORE

4-Speed Mounted Hydraulic Motor

- 160/320/480/960 RPM at 12 GPM
- Minimum RPM -110 at 8 GPM
- Maximum RPM-1600 at 20 GPM
- 12" drilling capacity without extension
- 24" drilling capacity with extension

4-Speed Mounted Hydraulic Motor		
Part #	Cat #	List Price
4250021	84446	\$4,967

HYDRAULIC & PNEUMATIC COMPONENTS



Pillow Block Assembly
1.250"-7 spindle
Part # 4277539



Pillow Block Assembly
1.875"-7 spindle
Part # 4277540



M-4 Pillow Block Assembly
For use with M-4 core rigs and Danfoss motor
1.250"-7 spindle
Part # 4600039



Mounted Flow Control Valve for Char-Lynn Motors Only

Variable speed control that adjusts drilling speeds from zero to the maximum RPM your motor allows. Connects directly into motor. For use with hydraulic mounted motors.
Part # 4699956 (0-25 GPM)



Flow Control Valve

Variable speed control that adjusts drilling speeds from zero to the maximum RPM your motor allows.
Part # 4250019 (0-20 GPM)



In-line Flow Control Valve

Part # 4699967 (0-25 GPM)

HYDRAULIC COMPONENTS

Description	Part #	Cat #	Product Weight (lbs)	List Price
Pillow Block Assembly-1.250"-7 spindle for Char-Lynn motors	4277539	01853	29	\$1,265
Pillow Block Assembly-1.875"-7 spindle for Char-Lynn motors	4277540	01855	30	1,572
Pillow Block Assembly-1.250"-7 spindle for White motors	4277547	20243	29	1,265
Pillow Block Assembly-1.875"-7 spindle for White motors	4277546	99280	30	1,572
Pillow Block Assembly-1.250"-7 spindle for M-4 with Danfoss Hydraulic motors	4600039	47441	6	854
In-line On/Off Valve (3/2 way) for power units w/gear motor (CB15 and CB24)	4640090	85296	23	1,012
Flow Control Valve (Hydraulic motors only) 0-20 GPM	4250019	01840	23	854
Flow Control Valve (in-line) 0-25 GPM*	4699967	47662	23	908
Flow Control Valve, motor (mounted) for Char-Lynn Hydraulic motors only* 0-25 GPM	4699956	47556	9	574
Flow Control Valve hose w/1/2" fittings for Char-Lynn Hydraulic flow control valve (4699956)	4699990	49038	12	268
Flow Control Valve hose w/3/4" fittings for Char-Lynn Hydraulic flow control valve (4699956)	4699989	48980	12	418

* Must order hose kit separately



Ingersoll-Rand Air Motors

- Shown with pillow block
- Variable speeds depending on air source



Hand Held Air Motors

- 3-speed with slip clutch
- Includes 5/8"-11 and 1.250"-7 spindle
- Up to 4" bit capacity

AIR-PNEUMATIC MOTORS

DESCRIPTION	RPM	Safety Override	Max CFM	Part #	Cat #	Product Weight (lbs)	List Price
2.1 HP hand held, 3 speed @ 90 psi	300/500/1500	Slip Clutch	77	4244054	51479	35	\$4,951
3.8 HP hand held, 3 speed @ 90 psi	190/420/805	Slip Clutch	122	4244053	47377	32	5,647
3.5 HP Ingersoll-Rand	Variable	N/A	95	4244051	01765	31	8,612
8 HP Ingersoll-Rand	Variable	N/A	230	4244052	70339	31	14,384

POWER & PRODUCTIVITY



**CORE
BORE**

CB733



3-Speed

The CB733 Three-Speed and the CB744 Four-Speed Motors Offer Versatility and the Performance You Need to Get the Job Done

Up to 16" Bit Capacity
115V, 20 Amp

Up to 18" Bit Capacity
115V, 25 Amp

CB744



4-Speed



16" Bit Capacity



16" Bit Capacity



CB733 & CB744
Both Have Amp
Warning Lights



18" Bit Capacity



Milwaukee® Electric

- Model 4004**-(4.8 max HP) Max Bit Size: 16"
- Model 4005**-(4.8 max HP) Max Bit Size: 7"
- Model 4096**-(4.8 max HP) Max Bit Size: 10"
- Model 4097-20** (2.5 max HP) Max Bit Size: 12"
- 20 amp, 115 volt (4097 = 15 amp/120V)
- Available with or without on/off switch
- Built-in water swivel and water control valve
- 1.250"-7 threaded spindle
- Slip clutch
- Includes open end wrench

**MILWAUKEE MOTORS HAVE A
5-YEAR LIMITED WARRANTY**

Core Bore® CB733 Electric

- 20 amp, 120 volt or 230 volt
- Up to 16" bit capacity
- Built-in thermal overload protection
- Water connection for wet drilling
- **Includes on/off switch/amp meter**
- 1.250"-7 threaded spindle

Core Bore® CB744 Electric

- 25 amp, 115 volt
- Standard 16" capacity, 18" maximum
- Built-in LED amp meter - **no control panel needed**
- Water hose connection
- 1.250"-7 threaded spindle
- Slip clutch
- Bubble level
- Carrying handle
- Extra long cord
- Includes open end wrench

**A Control Panel is not needed
to run the CB733 or CB744**

Milwaukee & CORE BORE ELECTRIC DRILL MOTORS

Motor Make/Model	AMP	Loaded RPM	Part # without on/off switch	Cat # without on/off switch	List Price	Part # with on/off switch	Cat # with on/off switch	Product Weight (lbs)	List Price
Milwaukee Model 4004	20	300/600	4244032	01750	\$1,907	4244033	01751	24	\$2,015
Milwaukee Model 4096	20	450/900	4244038	01754	1,907	4244039	01755	24	2,015
Milwaukee Model 4005	20	600/1200	4244042	01758	1,907	4244043	01760	24	2,015
Milwaukee Model 4097-20	15	500/1000	4244030	01748	1,817	4244031	01749	26	1,929
Core Bore® CB733	25	345/630/1000	---	---	---	4244126	83983	28.4	1,851
Core Bore® CB744	25	225/300/565/780	---	---	---	4244125	78699	---	2,171



16" Bit Capacity

18" Bit Capacity

18" Bit Capacity



Weka Precision Laser Pointer

For use on the DK22, DK32 and DK38 models. Allows exact indication of the core center. Internal threads installs directly onto motor spindle.

SR38-18 Speed-RPM Ranges

Number of Motor Steps: 6
Number of Mechanical Gears 3

Electric Speed Step #	Mechanical Gear 1	Mechanical Gear 2	Mechanical Gear 3
1	445	880	1370
2	380	755	1180
3	320	630	980
4	260	520	810
5	220	430	670
6	180	360	560

Weka® DK22

Electric

- Heavy duty
- Water connection
- 1.250"-7 threaded spindle
- Recommended for bits up 1"-12" Max 16"

Weka® DK32

Electric

- Heavy duty
- Water connection
- 1.250"-7 threaded spindle
- Recommended for bits 2"-16" Max 18"

Weka® DK38

Electric

- 18 speeds
- Water connection
- 1.250"-7 threaded spindle
- Recommended for bits 1-1/2"-16" Max 18"

WEKA ELECTRIC DRILL MOTORS

Motor/Model #	AMP	No Load RPM	Loaded RPM	Part #	Cat #	Product Weight (lbs.)	List Price
WEKA DK22	23 (110V)	550/1120/1680	300/640/960	4244018	01741	31	\$3,010
WEKA DK22	11 (230V)	550/1120/1680	300/640/960	4244016	47069	31	3,010
WEKA DK22L	23 (110V)	460/940/1400	250/520/780	4244105	54872	31	3,030
WEKA DK22S	23 (110V)	800/1640/2430	420/880/1300	4244014	47828	31	3,010
WEKA DK22S	11 (230V)	800/1640/2430	420/880/1300	4244029	47070	31	3,010
WEKA DK32	30 (110V)	380/800/1200	230/480/720	4244059	46896	31	3,258
WEKA DK32	15 (230V)	380/800/1200	230/480/720	4244058	47071	31	3,258
WEKA DK32F*	30 (110V)	380/800/1200	230/480/720	4244120	56143	31	3,268
WEKA DK32F*	15 (230V)	380/800/1200	230/480/720	4244121	44292	31	3,268
WEKA SR38	16 (230V)	See chart above		4244124	68236	36	5,120

All Weka motors include on/off switch

*F series include special flange adapter for M-5 PRO only (11" maximum bit capacity)

LASER POINTER FOR WEKA MOTORS

Description	Part #	Cat #	List Price
Weka laser pointer for DK22, DK32 & DK38	2708604	59812	\$309



20" Bit Capacity



24" Bit Capacity



26" Bit Capacity



SR75S-9 Speed-RPM Ranges

Number of Motor Steps: 9
Number of Mechanical Gears 3

Electric Speed Step	Mechanical Gear 1 RPM	Mechanical Gear 2 RPM	Mechanical Gear 3 RPM
1	150	290	460
2	130	250	390
3	105	210	330

Weka® DK42

Electric

- Heavy duty
- Water connection
- 1.250"-7 threaded spindle
- Recommended for bits 3"-18" Max 20"

Weka® DK52

Electric

- Heavy duty
- Water connection
- 1.250"-7 threaded spindle
- Recommended for bits 3"-20" Max 24"

Weka® SR75S

Electric

- 9-Speed-480V, 3 phase-7500 watt
- Water cooled with water protection
- No carbon brushes and rotating windings translate into low maintenance
- 1.250"-7 threaded spindle
- Recommended for bits 5"-24" Max 26"

WEKA ELECTRIC DRILL MOTORS

Motor/Model #	AMP	No Load RPM	Loaded RPM	Part #	Cat #	Product Weight (lbs)	List Price
WEKA DK42	8.2 (460V-3PH)	200/390/620	190/410/610	4244022	01743	48	\$3,837
WEKA DK42	14.2 (230V-3PH)	200/390/620	190/410/610	4244023	01744	48	3,837
WEKA DK42S	8.2 (460V-3PH)	285/560/880	290/610/910	4244027	47641	48	3,837
WEKA DK42S	14.2 (230V-3PH)	285/560/880	290/610/910	4244024	01745	48	3,837
WEKA DK42AL	8.2 (460V-3PH)	170/330/510	130/280/430	4244066	94768	48	3,837
WEKA DK42AL	14.2 (230V-3PH)	170/330/510	130/280/430	4244056	91963	49	3,837
WEKA DK52	9 (460V-3PH)	170/340/520	150/290/440	4244060	47119	56	4,352
WEKA DK52	18 (230V-3PH)	170/340/520	150/290/440	4244061	48023	58	4,352
WEKA SR75S	14 (480V-3PH)	150/290/460 130/250/390 105/210/330	90/180/280	4244117	16537	48.5	6,175

All Weka motors include on/off switch

WEKA MOTORS



CB515 & WEKA® DK12



CB515

3" Hand-Held Bit Capacity

Electric



CB515

- 1800 Watt, 115 volt electric motor
- 2-speed gear box (1400 rpm and 2300 rpm) with slip clutch
- Side handle for stable coring
- 1.250-7 threaded spindle with 5/8"-11 adapter
- Water hose connection for wet drilling
- PRCD/GFCI Class I cord
- Works with M-4 stand and hand held motor mounts
- Top bubble level for accuracy
- **Includes:** Plastic molded carrying case, side handle, and wrench



Includes carrying case (not sold separately)

CB500HH & DK12



Weka® DK12

3" Hand-Held Bit Capacity

Electric



Weka® DK12

- Thermal overload protection switch
- Side handle for stability
- Water connection for wet coring only
- 5/8"-11 or 1.250"-7 spindle
- Three speed for bits up to 3" (6" mounted)
- Includes carrying case and wrench
- Two leveling bubbles for accurate coring
- Can be used on M-3 & M-4
- **Includes:** Plastic molded carrying case, side handle, 1/2" BSP male to 5/8-11 male adapter, wrench



WEKA Case Only

Part #	Cat #	List Price
2701483	47368	\$123

CB500HH & WEKA® HAND HELD MOTORS

Motor/Model #	AMP	No Load RPM	Loaded RPM	Part #	Cat #	Product Weight (lbs.)	List Price
CB515	9 (115V)	1400/2300		4244128	98794	10.5	\$1,126
WEKA DK12*-Wet only	14	970/2330/4400	580/1400/2900	4244017	01738	25	2,246
WEKA DK12*-Wet only	7 (230V)	970/2330/4400	580/1400/2900	4244013	54212	25	2,246



WEKA Case Only		
Part #	Cat #	List Price
2701483	47368	\$123

3" Hand-Held Bit Capacity **Electric**

Weka® DK13

- Thermal overload protection switch
- Side handle for stability
- Dust port and water connection for wet or dry coring
- 5/8"-11 or 1.250"-7 spindle
- Three speed for bits up to 3" (6" mounted)
- Includes carrying case and wrench
- Two leveling bubbles for accurate coring
- Can be used on M-3 & M-4
- Includes: Plastic molded carrying case, side handle, 1/2" BSP male to 5/8-11 male adapter, wrench



Weka® DK13

Wet and Dry Connections

3" Hand-Held Bit Capacity **Electric**

Weka® DK16

- Electronic overload system
- Two leveling bubbles for accurate coring
- Side handle for stability
- Water connection for wet coring only
- 5/8"-11 or 1.250"-7 spindle
- Three speed for bits up to 3"
- Two leveling bubbles for accurate coring
- Includes: Plastic molded carrying case, side handle, 1/2" BSP male to 5/8-11 male adapter, wrench



Weka® DK16

WEKA DK13 & DK16

WEKA® HAND HELD MOTORS

Motor/Model #	AMP	No Load RPM	Loaded RPM	Part #	Cat #	Product Weight (lbs.)	List Price
WEKA DK13*-Wet or Dry	14	970/2300/4400	580/1400/2900	4244062	47055	25	\$2,467
WEKA DK16	19 (110V)	970/2300/4400	580/1400/2900	4244067	93678	23	2,467



CORE BIT ADAPTERS



CORE BIT ADAPTERS						
Description	Top Thread	Bottom Thread Male	Part #	Cat #	Weight (lbs.)	List Price
1015	1.250"-7 Female	5/8"-11	4400008	01878	2 lbs.	\$52
1015-B	1.250"-7 Female	5/8"-11 Bolt *	4400162	47697	2	62
1510	5/8"-11 Female	1.250"-7	4400009	01880	2	32
1016	1.250"-7 Female	5/8"-18	4400010	01881	2	134
1020	1/2"-20 Female	5/8"-11	4400011	01882	2	144
DK13-DVH	1.250"-7 Female	1.250"-12	4400320	75698	2	59
Bantum-15	Bantum Female	5/8"-11	4400012	01883	2	37
Bantum-15	Bantum Female	1.250"-7	4400051	01911	2	41
Morse #2	#2 Morse Taper Male	5/8"-11	4400068	01920	2	52
Morse #3	#3 Morse Taper Male	5/8"-11	4400061	01917	2	60
Morse #4	#4 Morse Taper Male	5/8"-11	4400062	01918	2	77
Morse #5	#5 Morse Taper Male	5/8"-11	4400063	79291	2	96
3/8" S.S.	3/8" Straight Shank Male	5/8"-11	4400056	01913	1	13
1/2" S.S.	1/2" Straight Shank Male	5/8"-11	4400033	01899	2	25
5/8" S.S.	5/8" Straight Shank Male	5/8"-11	4400087	01936	1	13
1/2" British standard piping [∞]	1/2" BSP Male	5/8"-11	4400037	01905	2	29
1/2" British standard piping [∞]	1/2" BSP Male	1.250"-7	4400036	01903	2	52
Large thread reducer	1.875"-7 Female	1.250"-7	4400121	01949	5	167
Large thread adapter	1.250"-7 Female	1.875"-7	4400134	01956	5	131

* Male bottom thread is a replaceable grade 8, 5/8"-11 bolt with water way
[∞] For use on Weka motors

5/8"-11 bolt with water way		
Part #	Cat #	List Price
4400163	53577	\$16

Standard core bits have the following threaded hub sizes:
 1-1/2" and under (bit diameter)= 5/8"-11 thread
 (5/8" diameter, 11 threads per inch)
 1-5/8" and up (bit diameter) = 1-250"-7 thread
 (1-1/4" diameter, 7 threads per inch)

ADAPTERS



Part # 4400332



Part # 4400333



Part # 4699992



Part # 4699974



Part # 4699973

CORE BIT ADAPTERS - Competition Style

Compatible Motor*	Top Thread	Bottom Thread Male	Part #	Cat #	Weight (lbs)	List Price
DD100, DD200, DD130 with BI+ connection	Hilti® Quick Disconnect 6-Slot	1.250"-7	4400332	90755	2	75
DD100, DD200, DD130 with BI+ connection	Hilti® Quick Disconnect 6-Slot	5/8"-11	4400333	90754	2	42
DD200	Spline	1.250"-7	4699992	49654	2	464
DD250, DD160, DCM1.5 with BU connection	5/8"-11 Male	Hilti Spline	4699974	66435	2	344
DD250, DD160, DCM1.5 with BU connection	1.250"-7 Male	Hilti Spline	4699973	64011	2	295
Hilti® Core Bit	1.250"-7 Female	Hilti Quick Disconnect	4400584	40661	3	425

These adapters for use on Hilti® machines to connect to standard 1-1/4-7 or 5/8-11 threaded bit hubs. Hilti® is a registered trademark of the Hilti® Corporation and is not affiliated with Diamond Products Limited.



Part # 4400584, Cat # 40661
Quick Disconnect for use on
4400332 & 4400333 Adapters

Quick Disconnect
Hilti® Bit



Hilti® QD to Weka® Motor Mount

Part #	Cat #	List Price
4648065	88660	\$112

Hilti® is a copyright of Hilti Corporation and is in no way affiliated with Diamond Products Limited

ADAPTERS

DRILL RIG COLUMNS

DRILL RIG COLUMNS (MASTS)

Description	Part #	Cat #	Shipping Weight (lbs.)	List Price
M-1-2-1/2" square x 36" long	4645084	02120	14	\$222
M-1-2-1/2" square x 42" long	4645015	02079	16	258
M-1-2-1/2" square x 48" long	4645081	02116	18	294
M-1-2-1/2" square x 60" long	4645082	02117	23	350
M-1-2-1/2" square x 72" long	4645083	02119	27	422
M-1 ANGLE 2-1/2" square x 36-3/4" long	4645070	02106	14	233
M-1 ANGLE 2-1/2" square x 42" long	4645068	02104	16	269
M-1 ANGLE 2-1/2" square x 48" long	4645086	54972	18	302
M-1 ANGLE 2-1/2" square x 60" long	4645085	61782	23	357
M-2-2-7/8" square x 36" long	4641003	02006	24	386
M-2-2-7/8" square x 42" long	4641002	02004	28	451
M-2-2-7/8" square x 48" long	4641078	02036	32	516
M-2-2-7/8" square x 60" long	4641079	02037	40	646
M-2-2-7/8" square x 72" long	4641080	02038	48	778
M-2-2-7/8" square x 84" long	4641084	52242	56	900
M-2-2-7/8" square x 96" long	4641082	02039	64	1,101
M-2-2-7/8" square x 108" long	4641083	02040	72	1,241
M-2-2-7/8" square x 120" long	4644120	54847	80	1,380
M-2 ANGLE 2-7/8" square x 36" long	4641089	02043	24	397
M-2 ANGLE 2-7/8" square x 42" long	4641068	02028	28	458
M-2 ANGLE 2-7/8" square x 48" long	4641091	51671	32	524
M-2 ANGLE 2-7/8" square x 60" long	4641086	52192	40	651
M-2 ANGLE 2-7/8" square x 72" long	4641087	51883	48	782
M-3 STAIR 1-1/2" square x 25" long	4643001	59189	7	204
M-3 STAIR 1-1/2" square x 33" long	4643037	02061	9	226
M-3 STAIR 1-1/2" square x 37" long	4643033	52857	11	250
M-3 STAIR 1-1/2" square x 41" long	4643034	02058	13	282
M-3 STAIR 1-1/2" square x 47" long	4643032	02057	15	304
M-3 ANCHOR 1-1/2" square x 34" long	4643002	02044	9	185
M-3 ANCHOR 1-1/2" square x 38" long	4643006	02047	10	204
M-3 ANCHOR 1-1/2" square x 42" long	4699923	54392	11	226
M-4-1-5/8" x 2" x 30" long	4600007	01990	4	208
M-4-1-5/8" x 2" x 42" long	4600034	51129	6	277
M-4 Anchor/Swivel 1-5/8" x 2" x 30" long	4600042	49017	4	216
M-4 Anchor/Swivel 1-5/8" x 2" x 42" long	4600047	47722	6	285
M-5 2-1/2" x 3" x 32" long	4600122	74431	9	387
M-5 2-1/2" x 3" x 40" long	4600106	49519	11	450
M-5 2-1/2" x 3" x 50" long	4600134	51415	14	516
M-5 2-1/2" x 3" x 60" long	4600123	88812	17	647
M-5 ANCHOR 2-1/2" x 3" x 40" long	4600115	49695	11	450
M-5 ANCHOR 2-1/2" x 3" x 50" long	4600135	51725	14	516
M-5 ANCHOR 2-1/2" x 3" x 60" long	4600127	58986	17	647
M-6 3-7/8" x 5-7/8" x 60" long	4640123	14562	68	1,304
M-6-3-7/8" x 5-7/8" x 72" long	4640000	47837	84	1,565
M-6-3-7/8" x 5-7/8" x 96" long	4640042	52380	94	2,023
M-6-3-7/8" x 5-7/8" x 120" long	4640063	55510	104	2,483



Huge selection of columns (masts) in lengths up to 120"

Use custom size masts to build your core rig the way you want

RIG COLUMNS



HAVE A SPECIAL APPLICATION? WE MAKE CUSTOM EXTENSION RODS TO HANDLE YOUR NEEDS QUICKLY!



4" Length



6" Length



12" Length



24" Length

EXTENSIONS

CORE BIT EXTENSION RODS							
Length	Description	Fits Bit Size	Thread	Part #	Cat #	Weight (lbs.)	List Price
4"	125-4	1-5/8" & up	1.250"-7	4400001	01863	5 lbs.	\$62
4"	125-4-S water sprayer	1-5/8" & up	1.250"-7	4400002	01864	5	87
6"	120-6	up to 1-1/2"	5/8"-11	4400003 *	01866	5	56
6"	120-6	up to 1-1/2"	7/8" O.D.	4400166	55999	6	63
6"	125-6	1-5/8" & up	1.250"-7	4400004	01869	7	75
12"	120-12	up to 1-1/2"	5/8"-11	4400005 *	01870	8	76
12"	120-12	up to 1-1/2"	7/8" O.D.	4400167	55696	9	113
12"	125-12	1-5/8" & up	1.250"-7	4400006	01873	10	81
24"	125-24	1-5/8" & up	1.250"-7	4400042	01909	15	142
36"	125-36	1-5/8" & up	1.250"-7	4400007	01877	20	218
48"	125-48	1-5/8" & up	1.250"-7	4400024	01897	25	245
6"	187-6	Optional large bits	1.875"-7	4400141	01962	7	101
12"	187-12	Optional large bits	1.875"-7	4400113	01945	15	151

*Extensions also fit dry hole saw and thinwall core bits

NWJ LARGE THREAD ADAPTER & EXTENSIONS			
Description	Part #	Cat #	List Price
5' drill extension with NWJ threads	4400322	77369	\$701
NWJ Male-1.250"-7 Female adapter	4400323	77368	546
Male 1.250"-7- NWJ Female adapter	4400324	77703	546
NWJ Male- 1.875"-7 Female adapter	4400325	78493	546
Male 1.875"-7-NWJ Female adapter	4400326	78494	546

NWJ threads have a large thread pitch that make it easy to unscrew the core bit and/or other extensions



DRILLING ACCESSORIES



Single Switch Control Panel

With amp meter, dual outlet-single switch control both gauge max at: 15, 18 or 20 amp
Part # 4277537 (115V)
Part # 4277538 (230V)



Dual Switch Control Panel

With amp meter, dual outlet two switches to control each outlet, gauge max at: 15, 18 or 20 amp
Part # 4243000 (115V)
Part # 4243075 (230V)



Digital Dual Switch Control Panel

With amp meter, dual outlet two switches to control each outlet, gauge max at: 15, 18 or 20 amp
Part # 4243012 (115V)



DK42 Control Panel

With amp meter, volt meter, motor reversing switch, vacuum pump switch, single and three phase outlets
Part # 4243006 (220V)



Heavy Duty On/Off Switch

Used on Core Bore and Milwaukee motors
Part # 4244021 (115V)
Part # 4243021 (230V)



EDI Control Panel Dual Switch/Outlet



Vacuum Pump with fittings and integrated on/off switch

CONTROL PANELS/AMP METERS

Description	Voltage	Part #	Cat #	Weight (lbs)	List Price
Dual Switch/Dual Outlet	115V	4243000	01724	5	\$338
Dual Switch/Dual Outlet	230V	4243075	01729	5	399
Single Switch/Dual Outlet	115V	4277537	01851	4	285
Single Switch/Dual Outlet	230V	4277538	01852	4	340
EDI Control Panel Dual Switch/Outlet	115V	2707899	84497	5	353
Heavy Duty On/Off Switch	115V	4244021	01742	2	94
Heavy Duty On/Off Switch	230V	4243021	56316	2	197
Single On/Off Switch (for Milwaukee motors)	115V	4277583	17617	2	428
Dual Switch/Dual Outlet (for Milwaukee motors)	115V	4277582	47203	5	474
Dual Switch/Outlet for Weka DK22&DK32	115V	4277594	03325	5	614
Dual Switch/Outlet for Weka DK22&DK32	230V	4277595	84217	5	480
Control Panel 1 & 3 Phase for Weka DK42	220V	4243006	01726	5	632
Digital Dual Switch Control Panel	115V	4243012	37464	6	479
Single Switch Control Panel Bracket Kit for M-1/M-2	---	4699968	49262	1	42
M-2 Bracket Kit for Single Switch Control Panel to M-2 Roller Carriage	---	4699981	69502	2	26
EZ Cord Adapter - 30amp twist lock to 15 amp straight male end	115V	4699131	94366	1	37

ACCESSORIES



EZ Cord Adapter

12" long cord for use on CB744, Weka DK32 (110V) Core Drills and C16 Electric Saw.
 12AWG - 115V30 Amp to 15 Amp
Part # 4699131

VACUUM PUMPS

Description	Voltage	Part #	Cat #	Weight (lbs)	List Price
Gast 1/8 HP, 24hg, vacuum pump with fittings-M-1/M-2*	115V	4244075	01767	9	\$414
Gast 1/8 HP, 24hg vacuum pump with fittings-M-1/M-2	230V	4244076	01769	9	515
Gast 1/8 HP, 24hg vacuum pump with fittings-M-3/M-4*	115V	4244077	01770	9	468
Gast 1/8 HP, 24hg vacuum pump with fittings-M-3/M-4	230V	4244079	01772	9	551
Gast 1/8 HP, 24hg vacuum pump without fittings	115V	2600016	00443	8	426
Gast 1/8 HP, 24hg vacuum pump without fittings	230V	2600017	56522	8	482
Gast 1/8 HP, 24hg vacuum pump with fittings for A.P.V. base	115V	4244078	01771	9	431
Gast 1/8 HP, 24hg vacuum pump with fittings for A.P.V. base	230V	4244080	80355	9	537
Gast 1/8 HP, 24hg vacuum pump with fittings-M-5*	115V	4244090	46895	9	450
Gast 1/8 HP, 24hg vacuum pump with fittings-M-5	230V	4244091	51410	9	538
Vacuum pump cord-100ft, 12 gauge-125V with 15 amp connectors	125V	4699104	15914	15	543

*Includes integrated on/off switch

DRILLING ACCESSORIES



Water Swivel
375 HD
5/8"-11 female to
5/8"-11 male
Part # 4400014



Water Swivel
750 HD
5/8"-11 female to
1.250"-7 male
Part # 4400013



Air Vacuum Swivel
5/8"-11 female to
1.250"-12 male for
DVH bits
Part # 4600125



M-4 Motor Mount Clamp Assembly
Allows you to mount the DK12
or DK13 on the M-4
(60mm hole)
Part # 4600003



M-6 Spacer Block
Allows larger diameter bits to be
used on rig. See below for other
rig spacer blocks
Part # 4640026



M-2 Roller Carriage
Adjustable with
heavy duty rollers
Part # 4277531



M-2 Dovetail Motor Mount Quick Disconnect
Removes motor quickly
Part # 4648007



M-5 Style Quick Disconnect for M-1 & M-2
Allows use of Outriggers
Part # 4699961



7"-M-5 PRO Outrigger
For the fastest disconnect that
adds 7" of drilling diameter
Part # 4400252



10"-M-5 PRO Outrigger
For the fastest disconnect that
adds 10" of drilling diameter
Part # 4400253

MOTOR MOUNTS AND DISCONNECTS

Description	Part #	Cat #	Weight (lbs)	List Price
M-1/M-3 Dovetail Motor Mount Quick Disconnect	4648010	02150	5	\$182
M-2 Dovetail Motor Mount Quick Disconnect	4648007	02147	5	186
M-2 Carriage to M-1/M-3 Motor Mount Assembly	4641131	85316	5	75
M-4 Motor Mount Clamp Assembly for Weka Motors	4600003	01987	5	78
M-4 Motor Mount Assembly for Milwaukee Motors	4600029	02001	5	152
M-5 Style Quick Disconnect for M-1 and M-2 (allows use of Outrigger)	4699961	46830	10	420
M-5 PRO Quick Disconnect Outrigger Assembly (adds 7" of drilling diameter)	4400252	38766	10	311
M-5 PRO Quick Disconnect Outrigger Assembly (add 10" of drilling diameter)	4400253	38767	10	335
M-5 Quick Disconnect Outrigger 7" Extension Assembly	4400312	84939	10	299
M-5 Quick Disconnect Outrigger 10" Extension Assembly	4400313	47129	12	324
Weka to M-2 motor mount assembly (DK22 or larger)	4648033	02161	8	99
Weka and CB700 to M-1/M-3 motor mount assembly (on Weka-DK22 or larger)	4648031	02160	8	83
M-1/M-2/M3 motor mount assembly for Milwaukee motors	4648029	02159	10	143
Weka hand held to M-1/M-3 motor mount assembly	4648004	02144	8	160
M-1 dovetail motor mount up-grade	4245000	51676	4	107
M-2 dovetail motor mount up-grade	4242000	01723	4	146

WATER AND VACUUM SWIVELS

Water Swivel 1.250"-7 Female to 1.250"-7 Male	4400186	53840	10	\$514
Water Swivel 750 HD 5/8"-11 Female to 1.250"-7 Male	4400013	01884	10	272
Water Swivel 750 HD 5/8"-16 Female to 1.250"-7 Male	4400304	01980	10	272
Water Swivel 375 HD 5/8"-11 Female to 5/8"-11 Male	4400014	01885	10	262
Water Swivel 375 HD 5/8"-16 Female to 5/8"-11 Male	4400303	01979	10	262
Air Vacuum Swivel-5/8"-11 Female to 1.250"-12 Male	4400125	01950	10	304
Air Vacuum Swivel 5/8"-16 Female to 1.250"-12 Male	4400302	58733	10	318
1-1/4"-7F 1.250"-12M Threaded Adapter for Use on the WEKA DK13 Motor	4400320	75698	3	59

ROLLER CARRIAGES

M-2 Roller Carriage Assembly	4277531	01844	15	\$1,055
M-2 Roller Carriage Assembly for Autofeed System (gear box not included)	4277593	02370	10	809
Gear Box/Carriage Only for M-2 Roller Carriage for Autofeed System	4277598	16635	12	2,074

SPACER BLOCKS

M-1 (2") Spacer Block (adds 4" of drilling capacity)	4400072	01924	5	\$106
M-2 (2") Spacer Block (adds 4" of drilling capacity)	4400073	01926	5	140
M-5 Spacer Block (for electric drill motors only) up to 20" capacity	4600136	47118	15	242
M-6 Spacer Block (up to 36" capacity) 9.5"	4640026	47072	22	163
M-6 Spacer Block (up to 48" capacity) 15.5"	4640025	47073	30	178



DRILLING ACCESSORIES



Spindle Wrench for Core Bore and Milwaukee Motors
Part # 2400010



Electric Cords with Twist Lock Plug to Straight Plugs



Core Bore Stop Box

Shuts off the electricity to the motor(s) if the core bit hits grounded metal.

Part # 4243050 (115V for 15 amp use)

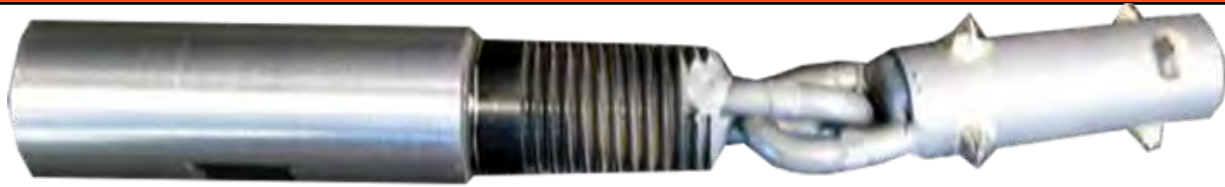
Part # 4243051 (115 V for 20 amp use)

ACCESSORIES

CORING ACCESSORIES

Description	Part #	Cat #	Weight (lbs.)	List Price
1-3/8" Spindle Wrench for Core Bore & Milwaukee Motors	2400010	00201	5	\$56
1-1/4" Spindle Wrench for WEKA motors	2400015	00206	5	96
Electric Cord-50ft, 12GA, 115V, 20amp Twist to 15amp Straight *	4699100	47884	13	342
Electric Cord-100ft, 12GA, 115V, 20amp Twist to 15amp Straight *	4699101	48548	25	542
Electric Cord-50ft, 10GA, 115V, 30amp Twist to 15amp Straight **	4699102	47005	16	349
Electric Cord-100ft, 10GA, 115V, 30amp Twist to 15amp Straight **	4699103	47987	31	546
DK42 cord-100ft-12 gauge, 250V, 20amp	4699105	49828	5	461
Power Splitter Sidewinder-230V-2(110V) outlets	2800379	52225	22	989
Core Bore Stop Box-115V-for 15 amp use	4243050	01728	10	1,374
Core Bore Stop Box-115V-for 20 amp use	4243051	22092	10	1,394
DK42 Control Panel Supplies 230V current at 1 and 3 phase	4243006	01726	25	632
DK42 Phase converter 1 phase 230V to 3 phase 230V	4243010	01727	45	4,125

* For heavy duty on/off switch. ** For single and dual switch control panels



Hole Roughner Tool

Adapter with welded spiked tool for creating a rough surface in a core hole. Useful for providing better adhesion of epoxy anchor systems inside the hole. The spiked end is made up of 6 carbide tips. Includes 1.250"-7 adapter (welded) Ask about sizes not listed.



20" Standard Length Cable

Core Catcher Assembly

Attaches to spindle on the top end and an eye-bolt is anchored into the core.

The cable is attached to the eye-bolt or hook. Includes: Spindle adapter and catcher cable 8" OD x 10" core maximum or 10" OD x 6" core maximum-Cat # 78095



The Extractor Core Retrieval Tool

The cable is inserted down the sides of the core. The cable clings to the core as the rings are pulled by hand or lifted by other means. 8" core maximum. Cat # 26386

CORING ACCESSORIES

Description	Part #	Cat #	Weight (lbs.)	List Price
1-7/8" Carbide Hole Roughner with (6) .375" tips	CB1875HR	77440	6	\$1,763
2" Carbide Hole Roughner with (6) .375" tips	CB2000HR	27398	8	1,814
3" Carbide Hole Roughner with (6) .375" tips	CB3000HR	28447	10	1,876
4" Carbide Hole Roughner with (6) .625" tips	CB4000HR	28448	12	1,974
5" Carbide Hole Roughner with (6) .625" tips	CB5000HR	26522	14	1,995
CORE REMOVAL				
Core Catcher Assembly Complete	4400327	78095	8	\$279
The Extractor-Core Retrieval Tool	2401000	26386	1	54



DRILLING ACCESSORIES



M-2 Autofeed Control System

- Automatically runs your M-2 core rig
- Enables the operator to use several core drills at the same time
- Extremely efficient serial drilling-saves labor especially in hard aggregate
- The unit keeps the motor load at the preset value (17 to 24 amps at 115V; 10 to 15 amps at 230V)
- For use on Weka DK22 through DK32, CB748 and all Milwaukee drill motors
- Autofeed unit consists of control unit and a 2:1 gear box with roller carriage only



AUTOFEED CONTROL SYSTEMS

Description	Part #	Cat #	Weight (lbs.)	List Price
Autofeed Complete with M2 Roller Carriage 115V/30 Amp	5801228	24135	10	\$6,343
Autofeed Complete with M2 Roller Carriage 230V/15 Amp	5800661	91154	10	5,474
M-2 Autofeed Control 115V/30 Amp (without M2 carriage)	5800715	75649	20	5,506
M-2 Autofeed Control 230V/15 Amp (without M2 carriage)	5800503	48563	12	4,638

ACCESSORIES

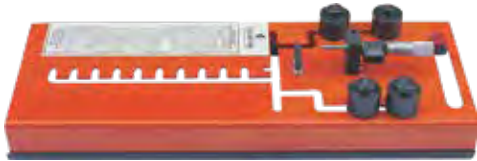


PIPE MOUNT SYSTEM

- Works with any Core Bore rig
- Can be used on any size pipe
- Includes base plate, tie-down strap and hardware
- Bit capacity depends on rig being used

PIPE MOUNT

Description	Part #	Cat #	Weight (lbs.)	List Price
Pipe Mount Assembly (Specify Core Rig Model)	4400509	64823	10	\$342



Blade Measuring Gauge

Dial or Digital available: indicates the wear on a diamond blade.

Great for measuring rental blades.

Part # 4400208 (Micrometer), Part # 4400209 (Digital)



Bit Wear Measuring Adapter Kit

Attaches to the Blade Measuring Gauge to measure core bit wear.

Part # 4400218



Vacuum Plate with Wheels

All purpose vacuum base (A.P.V.) that turns your small anchor base into a vacuum base. Up to 6" diameter core bits accepted. Includes: base, vacuum mount, wheel kit and vacuum gasket.

Part # 4247075



Bit Sharpening Pot

Plastic bucket that includes a cast iron plate and #60 aluminum oxide sand for sharpening dull core bits. The sand acts as an abrasive to expose the diamonds in the segments.

Part # 4400022



Bit Roller Assembly
with ball bearings.
Part # 4600300



Super Nut
Used with drop-in anchors to quickly anchor a rig.
Part # 4400069 (3/8"-16)
Part # 4400070 (1/2"-13)
Part # 4400071 (5/8"-11)



Super Bit Spacer (metal)
Makes it easier to remove bits from the spindle.
Part # 4600502



Vacuum Gaskets
Rubber gasket that ensures a positive suction on flat surfaces. Keeps the rig in place.
All rig models available

MISC ACCESSORIES

Description	Part #	Cat #	Weight (lbs)	List Price
Blade Measuring Gauge with Digital Micrometer	4400208	01972	12	\$570
Blade Measuring Gauge with Dial Indicator	4400209	01973	12	275
Bit Wear Measuring Adapter Kit (attaches to Blade Gauge)	4400218	01974	12	92
Vacuum Plate with Wheels (fits any small anchor base)	4247075	01818	18	475
Bit Lifting Eye 1.875"-7 Thread Assembly	4400223	64228	2	335
Bit Lifting Eye 1.250"-7 Thread Assembly	2400190	58593	1	129
Sharpening Pot and Sand (to sharpen core bits)	4400022	01895	25	176
Segment Brazing Tool	4400023	01896	1.7	153
Ceiling Jack for M-1, M-3 & M-5 rigs	4645016	02080	3	71

DRILL MOTOR & SPINDLE ACCESSORIES

Bit Roller Assembly	4600300	12624	1	\$109
3/8"-16 Super Nut	4400069	01921	1	40
1/2"-13 Super Nut	4400070	01922	1	40
5/8"-11 Super Nut	4400071	01923	1	40
Plastic Bit Washer 1-1/4"	1400030	00034	0.1	4
Plastic Bit Washer 1-7/8"	1400185	50811	0.1	4
Copper Bit Washer 1-1/4"	2701563	47477	0.1	11
Super Bit Spacer (metal) 1-1/4"	4600502	47552	0.2	52

VACUUM BASE GASKETS

Vacuum gasket for M-1 vacuum base-50" long (glued)	4645020	02083	.1	\$37
Vacuum gasket for M-2 vacuum base-50" long (glued)	4641024	02022	.1	37
Vacuum gasket for M-3 vacuum base-30-1/2" long (glued)	4643040	02064	.1	23
Vacuum gasket for M-4 vacuum base-38" long (glued)	4600016	01995	.1	26
Vacuum gasket for M-5 vacuum base-46" long (glued)	4600132	47445	.1	32
Vacuum gasket for APV base-48-1/2" long (glued)	4643027	02055	.1	36

ANCHORS & SETTING TOOLS

1/2" Anchors (box of 50)	ANCHOR-1/2	46822	4	\$75
3/8" Anchors (box of 50)	ANCHOR-3/8	46857	4	50
1/2" Setting Tool	SETTINGTOOL-1/2	46823	.5	27
3/8" Setting Tool	SETTINGTOOL-3/8	74846	.5	23



BIT BANDIT

For Dust Removal



BIT BANDIT

- Installs in seconds
- 1-1/4" vacuum port
- Can be used wet or dry
- Clear polycarbonate for visible coring
- Heavy duty, flexible material to withstand rugged job sites

BIT BANDIT FOR DUST REMOVAL

Description	Part #	Cat #	List Price
Bit Bandit for 1" to 4" diameter bits	2508102	92859	\$46
Bit Bandit for 2" to 8" diameter bits	2508103	92819	58

CUP BANDIT

For Dust Removal



CUP BANDIT

- Rubber collar allows movement with the tool and fits any grinder
- Clear polycarbonate for visible grinding
- Fits 3 size vacuum ports: 1-1/4", 2" & 2-1/4"
- Removable edge to allow grinding against a wall
- Heavy duty material to withstand rugged job sites

CUP BANDIT FOR DUST REMOVAL

Description	Part #	Cat #	List Price
Cup Bandit for 5" cup grinders	2508100	93507	\$78
Cup Bandit for 7" cup grinders	2508101	93684	82

DUST & SLURRY CONTROL ACCESSORIES



**CORE
VAC**



Vac
Adapter
Included

BLADE BANDIT

For Dust Removal

BLADE BANDIT

- Installs on most side grinders
- For use with diamond blade, tuck point blade or .375" V-crack blades with hub
- 1-1/2" vacuum port
- Can be used wet or dry
- Visible depth adjustment
- Clear polycarbonate for visible cutting
- Heavy duty, flexible material to withstand rugged job sites

Includes vac adapter, shaft adapter and collar bushings

BLADE BANDIT FOR DUST REMOVAL

Description	Part #	Cat #	List Price
Blade Bandit for 5" blades	2508106	77540	\$210
Blade Bandit for 7" blades	2508107	77617	248

HOSE ADAPTERS

Helps bypass special proprietary quick disconnect vacuum hoses.
Fits and adapts to almost any vacuum hose!

Core Vac Multi-Hose Adapter

- Inside diameters: 1.250", 1.5" & 2.5"
- Outside diameters: 1", 1.250" & 2"

18" Core Vac Adapter Hose

- 1.250" & 2.5"
- Great for use with the Bit Bandit

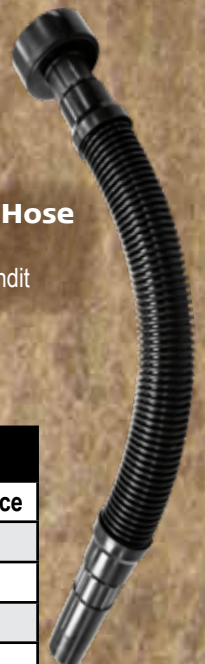


Vac Adapter for Blade Bandit and C14/C16 Saws

- Included with the Blade Bandit

CORE VAC ACCESSORIES

Description	Part #	Cat #	List Price
Core Vac Multi-Hose Adapter	2508104	31810	\$14
18" Core Vac Adapter Hose	2507000	35545	37
Vac Adapter for Blade Bandit, C14, C16, No Hose	2508129	00371	15
Vac Adapter for Blade Bandit with 15 ft. Hose	2508108	03966	94





CV150C VACUUM

Lightweight, high filtration, single-phase compact industrial vacuum with HEPA clean system

MINI HEPA WET DRY PORTABLE VACUUM



Pre-Filter for Dry Containment



Containment Bag for Wet or Dry

CV150C VACUUM

CV150C Vacuums

Electric

HEPA FILTERS

FEATURES

- Wet and dry
- Powerful heavy duty motor for industrial performance
- Provides maximum suction power for maximum pick-up

CV150C WET/DRY CONTAINMENT VACUUM

Description	Part #	Cat #	List Price
CV150C Wet/Dry HEPA Vacuum	4244132	67285	\$770

CV150C SPECIFICATIONS

Volts	120V
Motor	1350 Watt / 8.2 Amp
CFM	150 CFM
Container Capacity	7.9 gallon (30L)
Dimensions	17"L x 19"W x 27"H
Hose Length	12 ft.

CORE VAC

Part of the Core Vac product line for dust removal



**CV258C
Can Style
Model**



Easy adjustment handle releases the bag and allows quick access for disposal (CV258B only)



**CV258B
Bag Style
Model**

CV258 VACUUM

CV258 Vacuums

Electric

HEPA FILTERS

FEATURES

- 2" hose diameter
- 2 motors
- Self-cleaning patented filtration system
- Hepa filters
- Solid steel construction



**Dry
Containment**

CV258 SPECIFICATIONS

Vacuum Hoses	
Power	120V, 2700 Watt
Compressor	258 CFM
Filtration	Self-cleaning

CORE VAC CV258 DUST CONTAINMENT VACUUMS

Description	Part #	Cat #	List Price
CV258C Dust Control Vacuum (Can Style)	4244130	83166	\$2,499
CV258B Dust Control Vacuum (Bag Style)	4244131	83263	3,700
6 Mil Bag Liner (50 bags) for CV258B	2506170	83300	387



Part of the Core Vac product line for dust removal



CV358B VACUUM

HEPA FILTERS



Wet or Dry Containment

CV358B Vacuums

Electric

FEATURES

- 2" hose diameter
- 2 motors
- Self-cleaning patented filtration system
- HEPA filters
- Solid steel construction

CV358B SPECIFICATIONS

Volts	120V
Motor	27.6 amps
CFM	358 CFM
Dimensions	26"W x 26"L x 46"H
Hose Length	37 ft.



CV258 VACUUM

CORE VAC CV358B DUST CONTAINMENT VACUUM

Description	Part #	Cat #	List Price
CV358B HEPA Vacuum (Bag Style)	4244133	69970	\$5,100
6 Mil Bag Linger (50 bags)	2506170	83300	387
Bag, Continuous (plastic)	4600172	84935	88



Part of the Core Vac product line for dust removal



DRY ONLY

HEPA FILTERS

CV1900AV Vacuum

Gasoline

FEATURES

- Designed for the contractor who requires a large amount of dust containment.
- Two primary filters that are pulsed clean every 6 seconds with a reversed charge of compressed air; ensuring a continuous vacuum.
- The easy to use bolt down strap makes the vacuum usable with any 30 gallon drum
- Winch system for easy container dumping instead of straps
- Heavy duty casters allow for easy mobility for dumping and transportation
- Offers a 5" hose allowing larger air volume and two additional 2" hose inlets for smaller tools
- Less filter cleaning and adaptability to all shrouded equipment

CV1900AV SPECIFICATIONS

Vacuum Hoses	5" x 15' standard with quick-release clamps
Compressor	2.5 CFM air cooled
Filtration	Special pleated cartridge
Wheels	Two 5" 200lb rubber
	Two 5" 200lb swivel caster
Height	59" (150cm)
Length	34-1/2" (88cm)
Width	28" (71cm)
Weight	375 lbs. (170kg)

✓ **OSHA COMPLIANT**
with our First-Cut™ System

Vacuum Chart

Port Size	CFM	Inch Lift
1 - 5"	1105	3.0

All testing has been completed in a controlled environment using an air velocity meter and a mechanical gauge measured at the neck of each vacuum. These figures should be used as a reference only.

For Use on the CC190PRO-EE
First-Cut Early Entry Saws

HONDA GAS ENGINE!



INNOVATIVE
ELECTRONIC
TIMER!

CV1900 VACUUM

CORE VAC CV1900AV DUST CONTAINMENT VACUUM

Description	Part #	Cat #	List Price
CV1900AV gas vacuum for CC190PRO-EE with hoses - dry only	5801900	37624	\$16,499
Vacuum side cover plate attachment for CC190PRO-EE	2708358	80580	376
Vacuum adapter 3" to 5"	2504846	82102	205
HEPA Filter (requires 2 for CV1900AV)	2505797	40141	283
6 Mil Bag Liner (50 bags) for CV1900	2506170	83300	387



MADE IN THE
U.S.A.

CORE VAC

Part of the Core Vac product
line for dust removal



DRILLING ACCESSORIES



E-400F Water Pressure Tank with Fittings
 Available without fittings. Heavy duty model for Weka motors available. For dust suppression, not wet core drilling.
 (3.5 Gallon Capacity)
Part # 4400021 (with fittings)
Part # 2600042 (w/o fittings)



Telescoping Trap Ring
 Spring loaded trap ring that allows you to core small holes while keeping the trap ring around the bit
 (Max. 1-3/8" Diameter Core Bit)
Part # 2600350 (7" stroke)
Part # 2600359 (17" stroke)



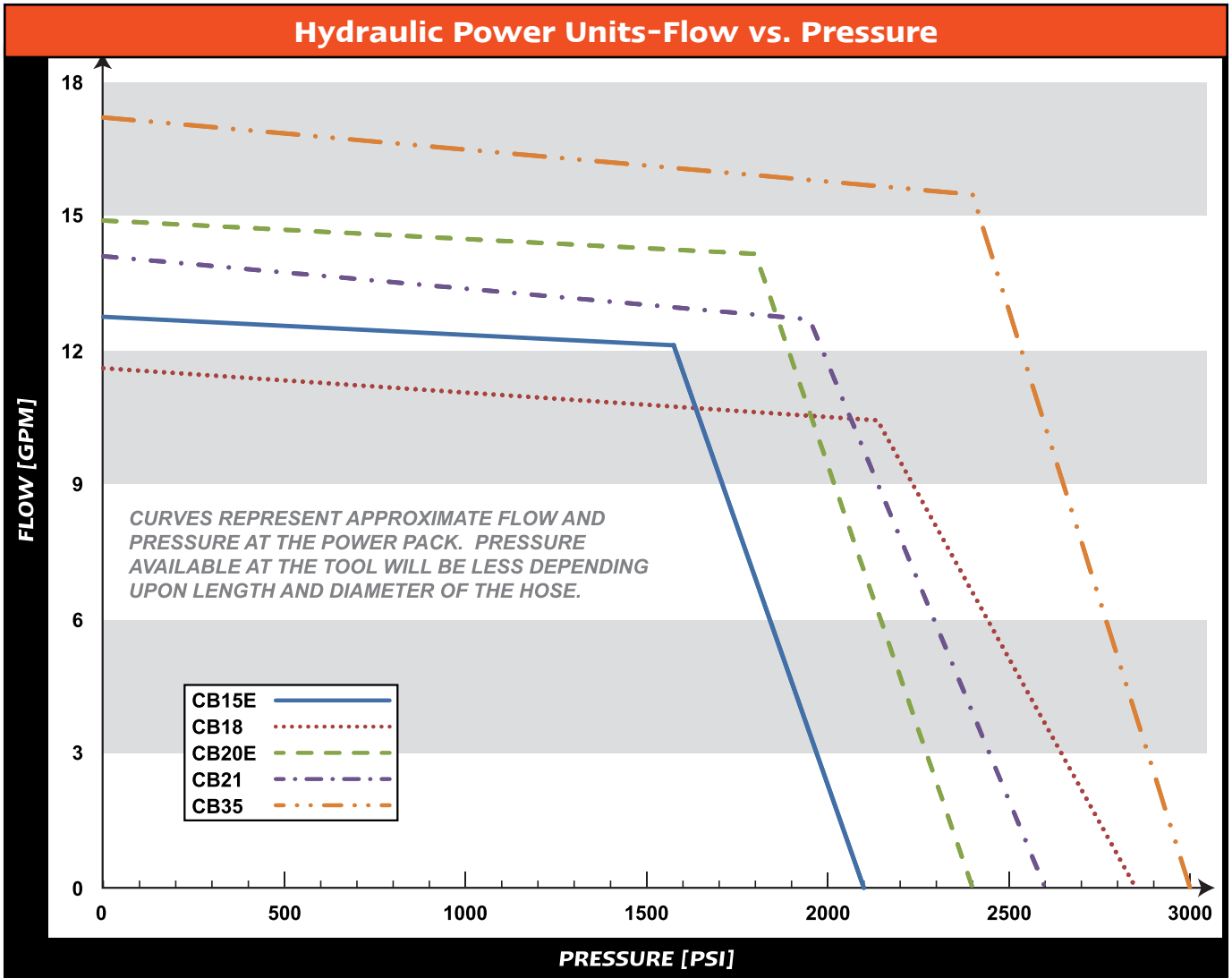
Trap Rings
 Helps keep water and slurry contained.
 (Different versions for M-1, M-2 and M-4 rigs)
 (Max. 3" Diameter Core Bit)
Various sizes available



E-350 Water Collector Ring with Teel Pump
 Helps keep water and slurry contained.
 (Max. 8" Diameter Core Bit)
Part # 4400015 (115V)
Part # 4400201 (230V)

ACCESSORIES

WATER PRESSURE TANK				
Description	Part #	Cat #	Weight (lbs)	List Price
E-400F Water Pressure Tank with Fittings	4400021	01894	5.	\$193
E-400 Water Pressure Tank without Fittings	2600042	00452	5	140
E-400F HD Water Pressure Tank with Fitting (for Weka Motors)	4400526	15800	5	198
TRAP RINGS				
Maximum 1-3/8" Diameter Core Bit				
Trap ring with 7" stroke for Weka DK11/DK12/DK13/DK16	2600350	83907	5	\$238
Trap ring with 17" stroke for Weka DK11/DK12/DK13/DK16	2600359	79765	5	331
Maximum 3" Diameter Core Bit				
Trap Ring for M-1 Rig	4640095	94233	2	\$344
Trap Ring for M-2 Rig	4640096	94234	2	359
Trap Ring for M-4 Rig	4645103	92832	2	416
Maximum 6" Diameter Core Bit				
Trap Ring with 1-1/2" Hose Adapter for M-1	4648057	79513	2	\$175
Trap Ring with 1-1/2" Hose Adapter for M-2	4648058	82178	2	175
Maximum 8" Diameter Core Bit				
E-150 Trap Ring Only	4400016	01887	5	\$99
E-300 Dry Trap Ring for Dry Drilling	4400018	01891	8	152
Wet/Dry Vacuum Hose Adapter	4400017	01889	1	58
E-350 Water Collector Ring and Teel Pump (115V)	4400015	01886	10	235
E-350 Water Collector Ring and Teel Pump (230V)	4400201	01969	10	252
Teel Pump (115V) for Trap Rings	4400264	96860	5	138
Teel Pump (230V) for Trap Rings	4400101	01940	5	156



Hydraulic Pump Safety Information

- Check hydraulic fluid level
- Confirm that hoses and fittings are secure
- Make sure all hoses are connected for correct flow direction to and from the tool being used
- Do not inspect hoses and fitting for leaks by using bare hands
- Always wear personal protective equipment when running machinery



HYDRAULIC PUMP POWER UNITS



MADE IN THE U.S.A.

CB15EXL

Electric

FEATURES

- 15 HP electric motor
- Adjustable handles
- Large wheels for easy moving
- Heavy duty frame design
- Single lifting point
- Fully adjustable flow control
- Water-cooled

CB15EXL SPECIFICATIONS

Hydraulic Flow	0-12 GPM
Relief Pressure	2100 psi
Hydraulic Tank Capacity	11 gallons
Flow Control	Fully adjustable
Hose	25' x 1/2" or 25' x 5/8"
Quick Disconnects	1/2" and 3/4"
Dimensions	48-1/2" L x 26-1/2" W x 39" H

CB18BVXL

Gasoline

FEATURES

- 18 HP Briggs-Vanguard gas engine
- Adjustable handles
- Large wheels for easy moving
- Heavy duty frame design
- Light weight and portable
- Single lifting point
- Fully adjustable flow control
- Air-cooled

CB18BVXL SPECIFICATIONS

Hydraulic Flow	0-10 GPM
Relief Pressure	2850 psi
Hydraulic Tank Capacity	5-1/2 gallons
Flow Control	Fully adjustable
Hose	25' x 1/2"
Quick Disconnects	1/2"
Dimensions	35-1/2" L x 23-1/2" W x 30" H

POWER UNITS

CB15EXL ELECTRIC POWER UNIT

Model #	Description	Part #	Cat#	Product Weight (lbs)	List Price
CB15EXL (1/2")	15 HP 230V Baldor Electric Motor with 1/2" x 25' hose, 0-12 GPM	4250058A	10998	450	\$9,881
CB15EXL (1/2")	15 HP 460V Baldor Electric Motor with 1/2" x 25' hose, 0-12 GPM	4250058B	10286	450	9,881
CB15EXL (1/2")	15 HP 575V Baldor Electric Motor with 1/2" x 25' hose, 0-12 GPM	4250058C	73238	450	9,881
CB15EXL (5/8")	15 HP 230V Baldor Electric Motor with 5/8" x 25' hose, 0-12 GPM	4250059A	13164	450	9,881
CB15EXL (5/8")	15 HP 460V Baldor Electric Motor with 5/8" x 25' hose, 0-12 GPM	4250059B	20568	450	9,881
CB15EXL (5/8")	15 HP 575V Baldor Electric Motor with 5/8" x 25' hose, 0-12 GPM	4250059C	14383	450	9,881
Tool Tray Option (for Electric Models)		4400262	25074	20	233
Heavy Duty Wheel Upgrade Kit (Qty 2) for CB15EXL, CB20EXL, CB21HXL, CB35BVXL		4641172	99434	10	181

CB18BVXL GAS POWER UNIT

CB18BVXL (1/2")	18 HP Briggs-Vanguard with 1/2" x 25' hose, 0-10 GPM	4250067	34017	350	\$7,349
Heavy Duty Wheel Upgrade Kit (Qty 2) for CB18BVXL		4641173	72444	10	132

HYDRAULIC PUMP POWER UNITS



MADE IN THE U.S.A.

Shown with Optional Tool Tray

CB20EXL

Electric

FEATURES

- 20 HP electric motor
- Adjustable handles
- Large wheels for easy moving
- Heavy duty frame design
- Single lifting point
- Fully adjustable flow control
- Water-cooled

CB20EXL SPECIFICATIONS

Hydraulic Flow	0-15 GPM
Relief Pressure	2400 psi
Hydraulic Tank Capacity	11 gallons
Flow Control	Fully adjustable
Hose	25' x 5/8"
Quick Disconnects	1/2" and 3/4"
Dimensions	48-1/2" L x 26-1/2" W x 39" H

CB21HXL

Gasoline

FEATURES

- 20.5 HP Honda GX660 gas engine
- Heavy duty frame design
- Adjustable handles
- Single lifting point
- Large wheels for easy moving
- Fully adjustable flow control
- Water-cooled

CB21HXL SPECIFICATIONS

Hydraulic Flow	0-14 GPM
Relief Pressure	2600 psi
Hydraulic Tank Capacity	11 gallons
Flow Control	Fully adjustable
Hose	25' x 1/2" or 25' x 5/8"
Quick Disconnects	1/2" and 3/4"
Dimensions	48-1/2" L x 26-1/2" W x 39" H
Cooler Option Part #	4400267
Gas Fuel Tank Capacity	4.4 gallons

POWER UNITS

CB20EXL ELECTRIC POWER UNIT

Model #	Description	Part #	Cat#	Product Weight (lbs)	List Price
CB20EXL (5/8")	20 HP 230V Baldor Electric with 5/8" x 25' hose, 0-15 GPM	4220029A	43370	550	\$11,781
CB20EXL (5/8")	20 HP 460V Baldor Electric with 5/8" x 25' hose, 0-15 GPM	4220029B	03082	550	11,781
CB20EXL (5/8")	20 HP 575V Baldor Electric with 5/8" x 25' hose, 0-15 GPM	4220029C	03085	550	11,781
Tool Tray Option (for Electric Models)		4400262	25074	20	233

CB21HXL GAS POWER UNIT

CB21HXL (1/2")	20.5 HP Honda GX660 with 1/2" x 25' hose, 0-14 GPM	4250063	78503	450	\$9,649
CB21HXL (5/8")	20.5 HP Honda GX660 with 5/8" x 25' hose, 0-14 GPM	4250064	35571	450	9,649
Catalytic Muffler for 20.5HP Honda, high mount right side		2702624	25901	25	2,973
Oil to air cooler		4400267	42968	20	1,380
Tool Tray Option (for Gas Models)		4400261	30005	20	302
Heavy Duty Wheel Upgrade Kit (Qty 2) for CB15EXL, CB20EXL, CB21HXL, CB35BVXL		4641172	99434	10	181



HYDRAULIC PUMP POWER UNITS



Add on a Heavy Duty Wheel Upgrade Kit Part # 4641172



MADE IN THE U.S.A.

CB35BVXL

Gasoline

FEATURES

- 35 HP Briggs-Vanguard gas engine
- Heavy duty frame design
- Adjustable handles
- Single lifting point
- Two large wheels for easy moving
- Fully adjustable flow control
- Water-cooled

CB35BVXL SPECIFICATIONS

Hydraulic Flow	0-17 GPM
Relief Pressure	3000 psi
Hydraulic Tank Capacity	11 gallons
Flow Control	Fully adjustable
Hose	25' x 5/8"
Quick Disconnects	1/2" and 3/4"
Dimensions	49" L x 26-1/2" W x 39" H
Gas Fuel Tank Capacity	4.4 gallons

POWER UNITS

CB35BVXL GAS POWER UNIT

Model #	Description	Part #	Cat#	Product Weight (lbs)	List Price
CB35BVXL (5/8")	35 HP Briggs-Vanguard gas engine (993cc) with 5/8" x 25' hose, 0-17 gpm	4220028	03109	596	\$10,371
	Oil to air cooler option for CB35BVXL	4400298	81268	40	1,918
	Catalytic Muffler for 35HP Briggs Vanguard gas engine	2707355	29029	20	2,681
	Tool Tray Option (for Gas Models)	4400261	30005	20	302
	Heavy Duty Wheel Upgrade Kit (Qty 2) for CB15EXL, CB20EXL, CB21HXL, CB35BVXL	4641172	99434	10	181

HYDRAULIC PUMP POWER UNITS



CB30EXL

Electric

FEATURES

- 30HP electric motor
- Heavy duty frame design
- Single lifting point
- Large wheels for easy moving
- Water-cooled

CB40EXL

Electric

FEATURES

- 40HP electric motor
- Heavy duty frame design
- Four heavy duty wheels for easy moving
- Four lifting points
- Fully adjustable flow control
- Water-cooled

CB50E

Electric

FEATURES

- 50HP electric motor
- Heavy duty cage design
- Four heavy duty wheels for easy moving
- High pressure, fully adjustable flow control
- Remote control
- Can be used with Hydrostress wall saws and wire saws
- Water-cooled

CB30EXL SPECIFICATIONS

Hydraulic Flow	0-20 GPM
Relief Pressure	2500 psi
Hydraulic Tank Capacity	23 gallons
Flow Control	Fully adjustable
Hose	60' x 3/4"
Quick Disconnects	3/4"
Dimensions	53-1/2" L x 26-1/2" W x 39" H

CB40EXL SPECIFICATIONS

Hydraulic Flow	0-20 GPM (H.P.) 0-28 GPM
Relief Pressure	3600 psi (H.P.) 2500 psi
Hydraulic Tank Capacity	23 gallons
Flow Control	Fully adjustable
Hose	60' x 3/4"
Quick Disconnects	3/4"
Dimensions	57" L x 32-1/4" W x 58" H

CB50E SPECIFICATIONS

Hydraulic Flow	0-22 GPM
Relief Pressure	3900 psi
Hydraulic Tank Capacity	7 gallons
Flow Control	Fully adjustable
Hose	50' x 3/4"
Quick Disconnects	3/4"
Dimensions	56" L x 26" W x 42" H

POWER UNITS

CB30EXL ELECTRIC POWER UNITS

Model #	Description	Part #	Cat#	Product Weight (lbs)	List Price
CB30EXL (3/4")	30 HP Leeson Electric motor with 3/4" x 60' hose, 0-20 GPM, 230V w/starter box	4250050A	04487	700	\$21,976
CB30EXL (3/4")	30 HP Leeson Electric motor with 3/4" x 60' hose, 0-20 GPM, 460V w/starter box	4250050B	09534	700	21,976
CB30EXL (3/4")	30 HP Leeson Electric motor with 3/4" x 60' hose, 0-20 GPM, 575V w/starter box	4250050C	04263	700	21,976

CB40EXL ELECTRIC POWER UNIT

CB40EXL H.P. (3/4")	40 HP Electric motor with 3/4" x 60' hose, 0-28 GPM, 460V w/starter box	4250053	85392	1,300	\$33,172
CB40EXL (3/4")	40 HP Electric motor with 3/4" x 60' hose, 0-28 GPM, 460V w/starter box	4250052	48597	1,300	29,163

CB50E ELECTRIC POWER UNIT

CB50E (3/4")	50 HP Electric motor with 3/4" x 50' hose, 0-22 GPM, 460V high pressure	4250055	93820	1,290	\$56,565
--------------	---	---------	-------	-------	----------



HYDRA-GEN POWER UNITS



Tier 4 Final

Power Generator and Hydraulic Pump All-In-One Unit!



POWER UNITS

HYDRA-GEN

Diesel

Electric

FEATURES

- 173HP JCB Ecomax Tier 4 Final Diesel Engine
- Auxilliary driven direct drive hydraulic pump that eliminates belts, sheaves, bearing supports and more
- 85KVA Generator with adjustable voltage regulation and 100 amp main service
- True dual circuit unit with total capacity of 32 GPM and 3000 PSI
- Single to use wireless controls or can be operated at the controller
- Integrated 50 gallon fuel tank
- Water-proof Hubbell electrical receptacles

HYDRA-GEN SPECIFICATIONS

Engine	173HP JCB Diesel Ecomax Tier 4 Final
Electrical	480V 3Ø 70A, 240V 1Ø 30A, 120V 1Ø 30A & 20A
Hydraulics	32 GPM and 3000 PSI
Dimensions	Length: 82", Width:42", Height: 72", Weight:

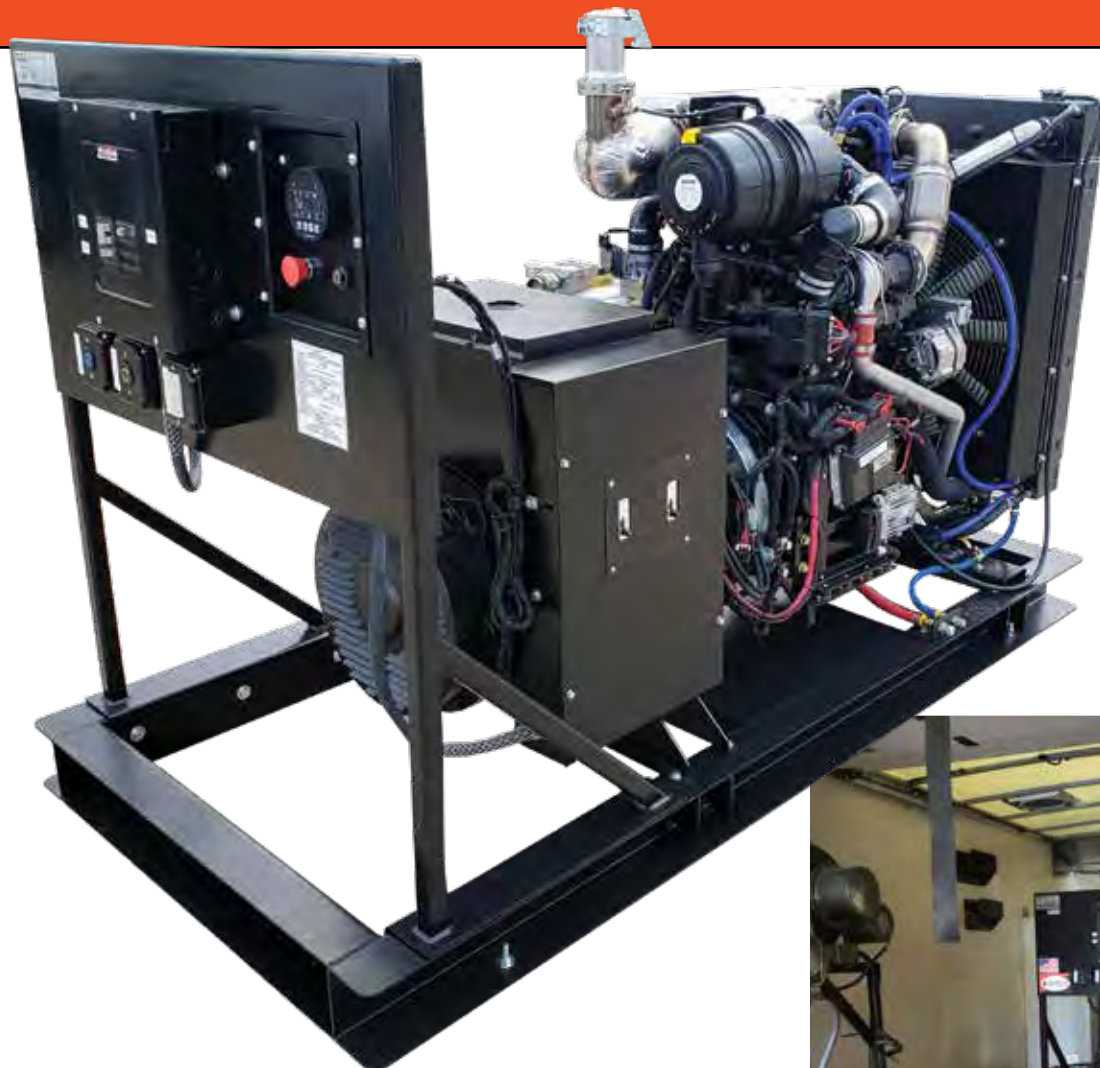
CBHG173-85 HYDRA-GEN POWER UNIT

Description	Part #	Cat #	Product Weight (lbs.)	List Price
CBHG173-85 Hydra-Gen Power Unit	4250312	65403	4,620	\$120,398
CBHG173-85 Hydra-Gen Power Unit - Open version	4250313	68432	3,930	112,643
50' hose set (2) with valve and quick disconnects	CC-50-HH	85202	55	2,176
100' hose set (2) with valve and quick disconnects	CC-100-HH	85203	110	3,174
50' 6/4 cord with plugs	CC-50-EC	85204	50	748
100' 6/4 cord with plugs	CC-100-EC	85205	100	1,632



MADE IN THE U.S.A.

CCSK-70 GENERATOR UNIT



Tier 4 Final

This unit is sold as an open generator to be factory installed in our Custom Trucks



POWER UNITS

CCSK-70

Diesel

Electric

FEATURES

- Dedicated 70KW generator
- Tier 4 Final Kohler 134HP diesel engine
- Simple start/run control
- Adjustable voltage regulator
- Integrated DEF tank

CCSK-70 SPECIFICATIONS

Engine	134HP Kohler Diesel Tier 4 Final
Electrical	480V 3Ø 70A, 240V 1Ø 30A, 120V 1Ø 30A & 20A
Dimensions	Length: 90", Width:44", Height: 56", Weight: 2900 lbs.

CCSK-70 OPEN GENERATOR UNIT

Description	Part #	Cat #	Product Weight (lbs.)	List Price
CCSK-70 Generator Set (for Custom Utility Trucks)	4250310	58890	2900	\$91,410



MADE IN THE U.S.A.

CB74D SKID-MOUNTED POWER UNIT



Tier 4 Final



CB74D

Diesel

FEATURES

- DVERT Oxidation Catalyst (DOC), Maintenance-free operation.
- Fully Adjustable 1-35 Gallon per Minute Hydraulic Flow Rate
- Completely enclosed, self contained design
- Integrated safety features including warnings and shutdown commands to protect power pack including:
- Low Hydraulic Fluid Indicator
- Hydraulic Fluid Over Temperature Indicator
- Clogged or Dirty Hydraulic Filter Indicator
- Standard Engine Controls (Low Oil Pressure, Coolant Over Temperature, ETC)



Local or Remote Operations, via Wireless Controller

- Murphy PV450 Color Display digitally indicated all necessary engine information, hydraulic system information and maintenance information.
- Kar-Tech Wireless Control System, with 2 Line MEGA Series Remote Display that indicates System Pressure and Hydraulic Flow, allows for flow and pressure adjustments, hydraulic function ON/OFF, and Emergency Stop.
- Charges Directly off the Power unit via the incorporated docking station/charger.

CB74D SPECIFICATIONS

Engine	Deutz TD2.9L4 Tier 4 Final, Liquid-Cooled Turbo Charged Common Rail
Max GPM	35 GPM
Max PSI	3,000 psi
Flow/Pressure Control	Fully adjustable
Hydraulic Tank Capacity	44 gallons
Diesel Fuel Tank Capacity	17 gallons
Dimensions	74" L x 30" W x 60" H
Weight	2,200 lbs. (Including fluid)

CB74D POWER UNIT

Model #	Engine Make	Engine Power	Power Source	Part #	Cat #	List Price
CB74D	Deutz TD2.9L4	74 HP	Diesel	5801545	60687	\$70,612



MADE IN THE U.S.A.

CB74DDC TOWABLE HYDRAULIC POWER UNIT



Tier 4 Final



POWER UNITS

CB74DDC Diesel

FEATURES

- Towable dual independent circuit hydraulic power pack
- 74 HP Kohler Diesel Tier 4 Final engine
- No regeneration / DEF system
- ECU controlled hydraulic circuit with built in safety controls to protect from overheating and low fluid levels
- All LED lighting, redesigned fuel fill and large fuel tank
- Hannay power reels with 100' pressure and return hose for primary circuit included

CB74DDC SPECIFICATIONS

Engine	Kohler 74HP Tier 4 Final
Max GPM	32 GPM
Max PSI	3,000 psi
Flow/Pressure Control	Fully adjustable
Hydraulic Tank Capacity	39 gallons
Diesel Fuel Tank Capacity	27 gallons
Hose	100' x 3/4" pressure & 100' x 1.00" return
Dimensions	156"L x 84"W x 63"H, 3,350 lbs.
Reels	Hannay Brand power rewind

CB74DDC POWER UNIT

Model #	Engine Make	Engine Power	Power Source	Part #	Cat #	List Price
CB74DDC	Kohler	74 HP	Diesel	5801450	48079	\$76,051



MADE IN THE U.S.A.



CUSTOM UTILITY TRUCKS

Made the Way You Want with
Your Jobs in Mind



Side graphic wrap not included

Custom Truck



Hydra-Gen Power Unit

173HP JCB Ecomax Tier 4 Final Diesel Engine

Hydra-Gen Power Unit		
Part #	Cat #	List Price
4250312	65403	



Power Reels

Holds two 100', 3/4" hydraulic hoses, swivel fittings, 12 volt power needed, hoses not included

Reels Only

Wall Sawing		
Part #	Cat #	List Price
2506351	04703	\$3,402
Hand Sawing		
2502581	91720	\$2,096
Electric Slab Sawing		
2506273	64947	\$2,964
Reel Electric with Water		
2503414	91721	\$1,988



Blade Rack

Up to 54" capacity

Blade Rack		
Part #	Cat #	List Price
6075081	04701	\$681



OUTFITTED
IN THE
U.S.A.



Core Bit Rack

Part #	Cat #	List Price
6075078	04698	\$1,599



3 Level Shelf Unit

Part #	Cat #	List Price
6075073	04693	\$934



Only 1 water tank included

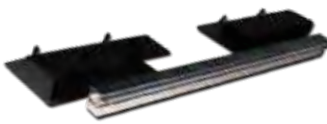
Plastic Water Tank (1)

- 175 gallons
- 3/8" thick plastic, 10" fill cap
- 52" tall x 36" deep x 22" wide
- *Plumbing not included

Plastic Water Tank

Part #	Cat #	List Price
2506323	04689	\$3,618

We offer 10 gauge steel water tanks, powder coated inside and outside-built to your specs- any size and shape!



Wall Saw Track Holder

Right Side

Part #	Cat #	List Price
6075079	04699	\$190

Left Side

6075080	04700	\$190
---------	-------	-------



Blade Guard Holders

Right Side

Part #	Cat #	List Price
6075075	04695	\$3121

Left Side

6075076	04696	\$365
---------	-------	-------



Power Hose Reel

- For two 100' x 3/4" hoses
- 22" wide x 36" long x 36" tall

Power Hose Reel

Part #	Cat #	List Price
2506351	04703	\$3,402



Ventilation Fan

- Installed in the top of the truck box
- Ventilation for heat and fumes

Ventilation Fan

Part #	Cat #	List Price
2506353	04690	\$466



Water Pumps

Honda Pump with Plumbing

Part #	Cat #	List Price
HWP-CL	86660	\$1,62

Sliding Water Pump Mount

6040605	53413	\$401
---------	-------	-------

12 Volt Water Pump (GPM)

2706488	51268	\$659
---------	-------	-------

110-220 Volt Single Phase

2600868	67727	\$1,757
---------	-------	---------

TRUCK OPTIONS

Description	Part #	Cat #	List Price
Remote throttle for Hydra-Gen	6075060	04691	\$834
30 gallon fuel tank for Hydra-Gen mounted on unit	2503321	85987	1,478
Truck mounted 50 gallon auxiliary fuel tank mounted on truck frame	2503605	91723	2,374
Plastic water tank 3/8" thick with baffles	2506323	04689	3,618
2 steel water tanks, 190 gallons each powder coated (380 gallon total)	2-WT-388	86268	5,868
325 gallon water tank for flatbed truck	FB-WT	86662	4,251
Power reel for (2) 100' 3/4" hoses 46" wide x 25" long x 26" tall	2502580	85814	3,426
Power reel for (1) 3/4" x 150' hose	2502110	99987	3,736
Hand crank reel- holds 200' of 1/2" hose	2503413	28003	640
Power reel w/o swivel-holds 200' of 6-4 SO electric cord	2503101	88117	1,619
Power reel with swivel-holds 200' of 10-3 SO electric cord	2503178	21063	2,604
Power reel with swivel-hold 200' of 10-4 SO electric cord	2503179	21062	2,779
Hose stop	2502157	69299	57
3/4" roller set for reel	2506280	69319	445
Power reel rack-holds 3 reels	6075072	04692	1,315
Power reel w/200' 6-4 cord and 50amp plug	ECR200P	86272	5,346
Paint box	2503474	94799	413
Saw tie downs (each) lashing ring- 2 per saw	2503320	86658	58
100' of 6-4 SO cord with 50amp plugs	CC-100-EC	85205	1,632
Floor mount handsaw rack for 2 saws	6045000	18697	686
Hook rack	6040421	99988	333
Strobe light	2802597	18701	473
Strobe light base	2802596	27885	131
Wall saw holder	6045001	18703	1,545
12 volt spot light-outside	2500194	54363	47
12 volt spot light-inside	2804501	04704	46
1/2" water hose	3201312	91718	3
Hand saw holder	6075077	04697	333
Hammer/pry bar holder	6075091	06139	312

Custom Truck Options



Icons & Information

APPLICATION ICONS	MATERIAL ICONS	MACHINE ICONS	
<p>0-5° grinding, brushing, drilling & mortar raking</p>	Steel 2-in-1: Steel/Stainless Steel Stainless Steel: INOX Cast Materials Masonry Aluminum & Non-Ferrous Materials Asphalt Concrete PVC	Angle Grinder Straight Grinder Bench Grinder Hand-Guided Low HP Walk Behind Saw	Angle Grinder High Speed Saw Chop Saw Portable Electric Saw Stationary Saw
<p>30° grinding</p>			
<p>90° cutting off</p>			

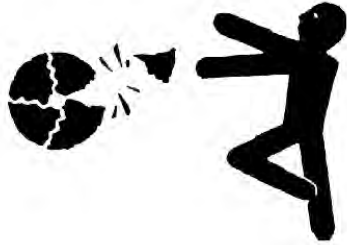
ABRASIVES SAFETY INFORMATION

These are general warnings and safety information. Please consult literature and packaging information before using abrasive products.

Handle Grinding Wheels Safety

Safety is everyone's business in both the application and care of grinding wheels. Wheels improperly used may not only be breakable—they can be dangerous. Grinding wheel operation must always be in strict compliance with the American National Standards Institute (ANSI) B7.1 Safety Requirements and the Occupational Safety and Health Act which regulates speed; safety guards; flanges; mounting procedures; general operating rules; handling, storage and inspection; and general machine conditions.

WARNING!!!



IMPROPER USE MAY CAUSE GRINDING WHEEL BREAKAGE AND SERIOUS INJURY.

CAUTION: Comply with American National Standards Institute Code B7.7, Occupational Safety and Health Act and Safety Guide with Packaging.

DON'T OVERSPEED, ABUSE, OR DROP WHEEL ALWAYS USE A GUARD, PERSONAL PROTECTIVE EQUIPMENT AND PROPER MOUNTING PROCEDURES.

DO :

1. DO always HANDLE AND STORE wheels in a careful manner.
2. DO VISUALLY INSPECT all wheels for possible damage before mounting.
3. DO MAKE SURE MACHINE SPEED does not exceed MAXIMUM OPERATING SPEED marked on wheel or its container.
4. DO CHECK MOUNTING FLANGES for equal size, relieved as required and correct diameter. (Should be at least 1/3 diameter of the wheel.)
5. DO USE MOUNTING BLOTTERS supplied with wheels.
6. DO be sure WORK REST is properly adjusted on bench and floor stand grinders. (Should be center of wheel or above and no more than 1/8" away from wheel.)
7. DO always USE A PROPERLY DESIGNED SAFETY GUARD covering at least on half of the grinding wheel.
8. DO allow WHEELS to run at operating speed, with guard in place, for at least one minute before grinding.
9. DO always WEAR SAFETY GLASSES or equivalent proper eye protection when grinding.
10. DO TURN OFF COOLANT before stopping wheel to avoid creating an out-of-balance condition.
11. DO make sure work is held FIRMLY in place. CLAMP work when using non-reinforced cut-off wheels.
12. DO CHECK THE SPEED OF THE GRINDER as recommended in ANSI B7.1 Safety Requirements.

WARNING!!!

AIRBORNE PARTICULATES AND FUMES GENERATED BY THE GRINDING PROCESS MAY CAUSE INJURY TO THE EYES AND SKIN AND SERIOUS RESPIRATORY ILLNESS.



These airborne concentrations are produced by the material being ground, the coolant and the grinding wheel. Consult the **MATERIAL SAFETY DATA SHEETS** for each material involved in the process. Always use adequate ventilation, dust control and NIOSH and MSHA approved personal protective equipment appropriate for the grinding process involved.

DON'T :

1. DON'T use a wheel that HAS BEEN DROPPED or DAMAGED or appears to have been abused.
2. DON'T FORCE a wheel onto the machine OR ALTER the size of the mounting hole-if wheel won't fit the machine, get one that will.
3. DON'T ever EXCEED MAXIMUM OPERATING SPEED established for the wheel.
4. DON'T use mounting flanges on which the bearing surfaces ARE NOT CLEAN, FLAT AND FREE FROM BURRS.
5. DON'T TIGHTEN the mounting nut EXCESSIVELY.
6. DON'T grind on the SIDE OF THE WHEEL unless wheel is specifically designed for that purpose. (See the current ANSI B7.1 Safety Requirements for exceptions.)
7. DON'T start the machine until the WHEEL GUARD IS IN PLACE.
8. DON'T STAND DIRECTLY IN FRONT of a grinding wheel whenever a grinder is started.
9. DON'T grind without proper ventilation and personal protective equipment. (See ANSI B7.1)
10. DON'T grind material for which the WHEEL IS NOT DESIGNED.
11. DON'T JAM work into the wheel. NEVER JAM, TWIST, BEND OR TILT a cut-off wheel when cutting.
12. DON'T GRIND with a machine that vibrates excessively.

DEPRESSED CENTER WHEELS

Cutting
and Light
Grinding



Type 27



30°

Right Angle
Grinder



90°

Right Angle
Grinder



Tyrolit PREMIUM 2 in 1 Wheels for Steel and Stainless Steel-Type 27



- Aluminum oxide grain
- High performance, aggressive, fast cutting
- Designed for cutting steel and stainless steel
- For cutting solid materials, tubes, profiles and thin-wall materials
- Contaminate-free/iron, sulfur and chlorine <0.1%

★★★

SIZE	Specification	Max Safe RPM	Material #	Cat #	Unit Pkg. Qty.	List Price
4-1/2" x 3/32" x 7/8"	A30Q-BFXA	13280	34162799	43675	25	\$3.35
5" x 3/32" x 7/8"	A30Q-BFXA	12220	34162811	80162	25	\$4.05



Tyrolit BASIC Wheels for General Purpose Use-Steel-Type 27



- Aluminum oxide grain
- General purpose cutting/light grinding wheels for steel
- Good cut rate and wheel life
- For all cross sections

★

SIZE	Specification	Max Safe RPM	Material #	Cat #	Unit Pkg. Qty.	List Price
4" x 1/8" x 3/8"	A30S-BF	15270	34301902	92401	10	\$2.01
4" x 1/8" x 5/8"	A30S-BF	15270	34301904	62999	10	\$2.01
4-1/2" x 1/8" x 7/8"	A30S-BF	13280	34301921	36885	10	\$2.41
4-1/2" x 1/8" x 5/8"-11	A30S-BF	13280	34301910	47621	5	\$4.55
5" x 1/8" x 7/8"	A30S-BF	12220	34301938	92402	10	\$2.90
5" x 1/8" x 5/8"-11	A30S-BF	12220	34312946	92403	5	\$5.23
7" x 1/8" x 7/8"	A30S-BF	8600	34301955	92438	10	\$4.40
7" x 1/8" x 5/8"-11	A30S-BF	8600	34301954	62992	5	\$7.75
9" x 1/8" x 7/8"	A30S-BF	6640	34301968	86495	10	\$6.23
9" x 1/8" x 5/8"-11	A30S-BF	6640	34301966	92439	5	\$9.83



Tyrolit BASIC Wheels for General Purpose Use- Concrete/Masonry-Type 27



- Silicon carbide grain
- General purpose cutting/light grinding wheels for concrete, masonry and stone
- Good cutting rate and wheel life
- High side stability for difficult applications

★

SIZE	Specification	Max Safe RPM	Material #	Cat #	Unit Pkg. Qty.	List Price
4-1/2" x 1/8" x 7/8"	C30S-BF	13280	34301923	45185	10	\$2.46
4-1/2" x 1/8" x 5/8"-11	C30S-BF	13280	34301922	92440	5	\$4.55

DEPRESSED CENTER WHEELS



Tyrolit PREMIUM 2 in 1 Wheels for Steel and Stainless Steel-Pipeline Applications-Type 27



- Aluminum oxide grain
- High performance, aggressive and fast cutting/light grinding/notching wheels
- Designed for both steel and stainless steel
- Contaminate-free iron, sulfur and chlorine, <0.1%

★★★

Cutting
and Light
Grinding



Type 27

SIZE	Specification	Max Safe RPM	Material #	Cat #	Unit Pkg. Qty.	List Price
4-1/2" x 1/8" x 7/8"	A30QBFX	13280	771406	51898	10	\$4.42
4-1/2"x1/8" x 5/8"-11	A30QBFX	13280	898115	67133	5	\$6.82
5" x 1/8" x 7/8"	A30QBFX	12220	771410	71142	10	\$5.71
7" x 1/8" x 7/8"	A30QBFX	8600	771422	61015	10	\$7.89
7" x 1/8" x 5/8"-11	A30QBFX	8600	898116	65108	5	\$11.13
9" x 1/8" x 7/8"	A30QBFX	6640	771430	81071	10	\$11.18
9" x 1/8" x 5/8"-11	A30QBFX	6640	898118	65412	10	\$13.63



30°
Angle Grinder



Tyrolit PREMIUM Pipeliner Plus Wheels for Steel and Cast Materials-Type 27



- High quality zirconia alumina grain
- High performance, aggressive, fast cutting, light grinding and notching
- Designed specifically for the pipeline industry
- For the most demanding applications
- Designed for both steel and stainless

★★★



90°
Right Angle
Grinder

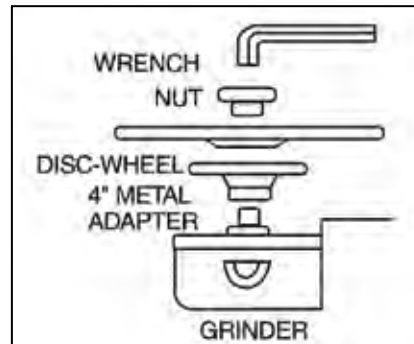
SIZE	Specification	Max Safe RPM	Material #	Cat #	Unit Pkg. Qty.	List Price
4-1/2" x 1/8" x 7/8"	ZA24-BF	13280	352336	27007	10	\$5.16
4-1/2" x 1/8" x 5/8"-11	ZA24-BF	13280	352334	27012	5	\$8.74
5" x 1/8" x 7/8"	ZA24-BF	12220	356632	27015	10	\$5.88
5" x 1/8" x 5/8"-11	ZA24-BF	12220	356633	27022	5	\$9.36
7" x 1/8" x 7/8"	ZA24-BF	8600	352339	27023	10	\$11.59
7" x 1/8" x 5/8"-11	ZA24-BF	8600	352338	27024	5	\$16.35
9" x 1/8" x 7/8"	ZA24-BF	6640	352341	27025	10	\$18.48
9" x 1/8" x 5/8"-11	ZA24-BF	6640	352340	27033	5	\$22.43

Reusable Metal Adapter Flanges for Dish Wheels

Type	Spec	Material #	Cat #	List Price
Adapter	SF113	20007845	59242	\$44.67
Nut	S113	20007890	59602	\$20.01

Reusable Metal Adapter Flanges

All 7" and 9" raised hub dish wheels, except those with ready mount adapters, require mounting with properly designed adapter flanges.



DEPRESSED CENTER WHEELS



Tyrolit BASIC Wheels for Concrete/Masonry- Type 27



- Silicon carbide grain
- General purpose wheel for rough grinding of concrete, masonry and stone
- Very good stock removal rates and wheel life

★

SIZE	Specification	Max Safe RPM	Material #	Cat #	Unit Pkg. Qty.	List Price
4" x 1/4" x 5/8"	C30S-BF	15270	34301908	92397	5	\$2.64
4-1/2" x 1/4" x 7/8"	C30S-BF	13280	34301929	63034	10	\$2.77
4-1/2" x 1/4" x 5/8"-11	C30S-BF	13280	34301927	92442	5	\$5.40
5" x 1/4" x 7/8"	C30S-BF	12220	34301945	92473	10	\$4.13
5" x 1/4" x 5/8"-11	C30S-BF	12220	34301944	92493	5	\$6.13
7" x 1/4" x 7/8"	C30S-BF	8600	34301961	68759	10	\$5.58
7" x 1/4" x 5/8"-11	C30S-BF	8600	34301960	92494	5	\$9.09
9" x 1/4" x 7/8"	C30S-BF	6640	34342489	92495	10	\$8.14
9" x 1/4" x 5/8"-11	C30S-BF	6640	34301982	92496	5	\$12.03



Type 27



30°

Angle Grinder



Tyrolit BASIC Wheels for Steel-Type 27



- Aluminum oxide grain
- General purpose wheel for ferrous metals; surface or edge grinding
- Very good stock removal rates and wheel life

★

SIZE	Specification	Max Safe RPM	Material #	Cat #	Unit Pkg. Qty.	List Price
3" x 1/4" x 3/8"	A30Q-BF	18000	34301986	45190	10	\$1.95
4" x 1/4" x 3/8"	A30Q-BF	15270	34301905	36892	10	\$1.95
4" x 1/4" x 5/8"	A30Q-BF	15270	34301907	53948	10	\$1.95
4-1/2" x 1/4" x 7/8"	A30Q-BF	13280	34301926	92497	10	\$2.77
4-1/2" x 1/4" x 5/8"-11	A30Q-BF	13280	34301924	50020	5	\$5.16
5" x 1/4" x 7/8"	A30Q-BF	12220	34301943	92506	10	\$3.49
5" x 1/4" x 5/8"-11	A30Q-BF	12220	34301942	37439	5	\$5.84
6" x 1/4" x 7/8"	A30Q-BF	10200	34301952	82414	10	\$4.43
6" x 1/4" x 5/8"-11	A30Q-BF	10200	34301951	92525	5	\$7.18
7" x 1/4" x 7/8"	A30Q-BF	8600	34301959	68780	10	\$4.93
7" x 1/4" x 5/8"-11	A30Q-BF	8600	34301958	79140	5	\$8.72
9" x 1/4" x 7/8"	A30Q-BF	6640	34301981	79422	10	\$7.34
9" x 1/4" x 5/8"-11	A30Q-BF	6640	34301970	92528	5	\$10.95



Tyrolit PREMIUM 2 in 1 Wheels for Steel and Stainless Steel-Type 27



- Aluminum oxide grain
- High performance rough grinding wheels designed especially for steel and stainless steel
- Excellent stock removal rates and exceptional wheel life
- Contaminate-free iron/sulfur and chlorine, <0.1%

★★★

SIZE	Specification	Max Safe RPM	Material #	Cat #	Unit Pkg. Qty.	List Price
4-1/2" x 1/4" x 7/8"	A24Q-BFX	13280	34251162	44553	10	\$5.02
5" x 1/4" x 7/8"	A24Q-BFX	12220	34251163	58216	10	\$5.85
7" x 1/4" x 7/8"	A24Q-BFX	8600	34251165	68817	10	\$8.95
7" x 1/4" x 5/8"-11	A24Q-BFX	8600	34251268	94196	5	\$10.40
9" x 1/4" x 7/8"	A24Q-BFX	6640	34251166	36838	10	\$13.26
9" x 1/4" x 5/8"-11	A24Q-BFX	6640	34251269	51624	5	\$14.88

DEPRESSED CENTER WHEELS



Tyrolit BASIC High Performance Zirconia Wheels for Steel & Cast Materials-Type 27



- Zirconia alumina grain
- High performance grinding wheel for the most demanding applications
- Highest stock removal rates and ultimate wheel life
- Designed for ferrous metals, stainless steel and cast materials

★

SIZE	Specification	Max RPM	Material #	Cat #	Unit Pkg. Qty.	List Price
4" x 1/4" x 3/8"	ZA30BF	15270	34337104	92128	10	\$7.73
4-1/2" x 1/4" x 7/8"	ZA30BF	13280	34301936	92755	10	\$8.01
4-1/2" x 1/4" x 5/8"-11	ZA30BF	13280	34301934	92851	5	\$9.48
5" x 1/4" x 7/8"	ZA30BF	12220	34301949	92129	10	\$9.62
5" x 1/4" x 5/8"-11	ZA30BF	12220	34301948	92130	5	\$7.40
7" x 1/4" x 7/8"	ZA30BF	8600	34301964	92153	10	\$12.06
7" x 1/4" x 5/8"-11	ZA30BF	8600	34301962	48463	5	\$14.17
9" x 1/4" x 7/8"	ZA30BF	6640	34301984	79650	10	\$16.51
9" x 1/4" x 5/8"-11	ZA30BF	6640	34301983	47624	5	\$18.57



Right Angle
Grinder



Tyrolit BASIC Grinding Wheels for Steel-Type 28



- Zirconia alumina grain
- High performance grinding wheel for the most demanding applications
- Highest stock removal rates and ultimate wheel life
- Designed for ferrous metals, stainless steel and cast materials
- Type 28 saucer shape provides greater surface area coverage and provides the operator with better grinding visibility

★

SIZE	Specification	Max RPM	Material #	Cat #	Unit Pkg. Qty.	List Price
7" x 1/4" x 7/8"	A30Q-BF	8600	34301990	92867	10	\$7.76
7" x 1/4" x 5/8"-11	A30Q-BF	8600	34301989	93133	5	\$10.38
9" x 1/4" x 7/8"	A30Q-BF	6640	34337106	93132	10	\$12.71
9" x 1/4" x 5/8"-11	A30Q-BF	6640	34302023	68455	10	\$15.45



Right Angle
Grinder



Tyrolit BASIC Raised Hub Dish Wheels for Concrete/Masonry-Type 28



- Zirconia alumina grain
- High performance grinding wheel for the most demanding applications
- Very good stock removal rates and wheel life
- Type 28 saucer shape provides greater surface area coverage and provides the operator with better grinding visibility

★

SIZE	Specification	Max RPM	Material #	Cat #	Unit Pkg. Qty.	List Price
7" x 1/4" x 7/8"	C30S-BF	8600	34302022	93135	10	\$8.14
7" x 1/4" x 5/8"-11	C30S-BF	8600	34302021	47631	5	\$10.41
9" x 1/4" x 7/8"	C30S-BF	6640	34337108	47329	10	\$13.34
9" x 1/4" x 5/8"-11	C30S-BF	6640	34302024	36884	5	\$15.61



Tyrolit PREMIUM Grinding Wheels for Aluminum & Non-Ferrous Materials-Type 27



- Aluminum Oxide Grain
- High performance, rough grinding wheels for non-ferrous metals
- No loading
- For surface and edge grinding
- Contaminant-free/iron, sulfur and chlorine <0.1%

★★★

SIZE	Specification	Max RPM	Material #	Cat #	Unit Pkg. Qty.	List Price
4-1/2" x 1/4" x 7/8"	A36N-BF	13280	773067	42538	10	\$7.34
4-1/2" x 1/4" x 5/8"-11	A36N-BF	13280	913325	68797	5	\$8.22
7" x 1/4" x 5/8"-11	A36N-BF	8600	913331	68538	5	\$13.36

SUPER-THIN CUT-OFF WHEELS

Type 1



90°

Right Angle
Grinder



Tyrolit BASIC Wheels for INOX, Steel & Stainless Steel-Type 1



- Aluminum oxide grain
- General purpose wheel for cutting INOX, steel and stainless steel
- For cutting thin-wall metal sheets, profiles and tubes
- Good cutting rates and wheel life
- Excellent price/performance ratio
- Contaminate-free of iron, sulfur and chlorine, <0.1%

★

SIZE	Specification	Max RPM	Material #	Cat #	Unit Pkg. Qty.	List Price
4-1/2" x .040 x 7/8"	A60Q-BF	13280	396110	47413	25	\$2.31
4-1/2" x .060 x 7/8"	A46Q	13280	222899	10001	25	\$2.54
5" x .040 x 7/8"	A60Q	12220	34162827	47553	25	\$3.14
6" x .045 x 7/8"	A46Q	10200	34331611	44552	25	\$2.86



Tyrolit BASIC 2 in1 Wheels for Steel & Stainless Steel-Type 1



- Premium aluminum oxide grain
- Aggressive, fast cutting wheels for steel and stainless steel
- Very good wheel life
- Contaminate-free of iron, sulfur, chlorine, <0.1%

★★★

SIZE	Specification	Max RPM	Material #	Cat #	Unit Pkg. Qty.	List Price
4" x .040 x 5/8"	A60Q-BF	15270	34163027	75612	25	\$2.79
4-1/2" x .040 x 7/8"	A60Q-BFXA	13280	34162818	54078	25	\$3.21
4-1/2" x .060 x 7/8"	A60Q-BFXA	13280	34162820	51002	25	\$2.97
5" x .040 x 7/8"	A60Q-BFXA	12220	34162819	57419	25	\$2.92
5" x .060 x 7/8"	A46Q-BFXA	12220	34162821	80223	25	\$3.24
6" x .045 x 7/8"	A46Q-BFXA	10200	34331319	39135	25	\$3.70
6" x .060 x 7/8"	A46Q-BFXA	10200	34162823	47582	25	\$4.81
7" x .060 x 7/8"	A46Q-BFXA	8600	34162825	48490	25	\$4.62
9" x .075 x 7/8"	A46Q-BFXA	6640	34331346	50168	25	\$6.22



Tyrolit BASIC Wheels for INOX, Steel & Stainless Steel-Type 27



- Aluminum oxide grain
- General purpose wheel for cutting INOX, steel and stainless steel
- Good cutting rates and wheel life
- Excellent price/performance ratio
- Contaminate-free of iron, sulfur and chlorine, <0.1%

★

SIZE	Specification	Max RPM	Material #	Cat #	Unit Pkg. Qty.	List Price
4-1/2" x .040 x 7/8"	WA60BF	13280	34331624	93214	25	\$2.52

Type 27



Right Angle
Grinder

SUPER-THIN CUT-OFF WHEELS



Tyrolit PREMIUM Long Life Wheels for Steel-Type 1



- Aluminum oxide grain
- High performance cut-off wheels designed especially for steel
- Hard "S" bond provides exceptionally long life

★★★

SIZE	Specification	Max RPM	Material #	Cat #	Unit Pkg. Qty.	List Price
4-1/2" x .040 x 7/8"	A60S-BFKA	13280	34163158	41769	25	\$2.79
4-1/2" x .060 x 7/8"	A46S-BFKA	13280	34163160	41787	25	\$2.58
5" x .040 x 7/8"	A60S-BFKA	12220	34163159	67659	25	\$2.92
5" x .060 x 7/8"	A46S-BFKA	12220	34163161	72927	25	\$3.24

Type 1



90°

Right Angle Grinder



Tyrolit PREMIUM INOX Super-Thin-Cut-Off Wheels for Stainless Steel-Type 1



- Aluminum oxide grain
- Ultimate performance characteristics in cutting material made of rust and acid resistant steels
- Contaminate-free of iron, sulfur and chlorine, <0.1%

★★★

SIZE	Specification	Max RPM	Material #	Cat #	Unit Pkg. Qty.	List Price
4-1/2" x .040 x 7/8"	A60R-BFKA	13280	34163117	45589	25	\$3.30
4-1/2" x .060 x 7/8"	A46R-BFKA	13280	34163135	83627	25	\$3.49
5" x .040 x 7/8"	A60R-BFKA	12220	34163134	61054	25	\$3.41
5" x .060 x 7/8"	A46R-BFKA	12220	34163136	66559	25	\$3.80
6" x .045 x 7/8"	A46R-BRKA	10200	34163138	46662	25	\$4.26
7" x .060 x 7/8"	A46R-BFKA	8600	34163140	41133	25	\$6.00

WHY USE SUPER-THIN?

- Ease of operation
- Clean cutting surfaces
- Shorter cutting times minimal burring
- Less cutting waste and dust
- Reduced machine load
- Suitable for various materials



Tyrolit PREMIUM ULTRA-THIN Disc for INOX, Steel & Stainless Steel-NEXT GENERATION-Type 1



- Tyrolit's best performing wheel for stainless steel as well as carbon steel
- Significant increase in wheel life and cutting ability
- Short cutting time, extremely free cutting, rough side-surfaces
- Improved first-cut behavior offering free cutting from the start
- Superior wear out behavior with stable cutting ability over entire diameter
- Less noise and vibration
- Perfect exploitation of raw material leaving 30% less cutting dust.
- Forging flexibility

★★★

SIZE	Specification	Max RPM	Material #	Cat #	Unit Pkg. Qty.	List Price
4-1/2" x .040 x 7/8"	A60R-BFXA	13280	34163152	81680	25	\$3.79
5" x .040 x 7/8"	A60R-BFXA	12220	34163153	47326	25	\$4.26

Type 1



Right Angle Grinder



Tyrolit PREMIUM ULTRA-THIN 2-in-1 Wheels for Steel & Stainless Steel-NEXT GENERATION -Type 1



- Two applications with one wheel; excellent performance in both stainless and carbon steel.
- Significant increase in wheel life and cutting ability
- Short cutting time, extremely free cutting, rough side-surfaces
- Improved first-cut behavior offering free cutting from the start
- Superior wear out behavior with stable cutting ability over entire diameter
- Less noise and vibration
- Perfect exploitation of raw material leaving 30% less cutting dust.
- Forging flexibility

★★★

SIZE	Specification	Max RPM	Material #	Cat #	Unit Pkg. Qty.	List Price
4-1/2" x .040 x 7/8"	TA60Q-BFXA	13280	34332928	77263	25	\$3.61
5" x .040 x 7/8"	TA60Q-BFXA	12220	34332929	79285	25	\$3.72

What is Next Generation?

Next generation cut-off discs increase productivity significantly, will help you get a lot more done with a lot less waste. And at the same time preserve your resources. **Up to 30% higher performance.**

SUPER-THIN CUT-OFF WHEELS

Type 1



90°

**Right Angle
Grinder**



Tyrolit PREMIUM Super Thin Cutting Wheels for Aluminum & Stone-Type 1



- Silicon carbide grain
- High performance cut-off wheels especially for aluminum, concrete and stone
- Fast cutting times on aluminum, bronze, aluminum alloys, copper, brass, nickel, and titanium.
- Also suitable for cutting masonry materials
- Consistent free cutting wheel utilizing a non-loading bond.

★★★

SIZE	Specification	Max RPM	Material #	Cat #	Unit Pkg. Qty.	List Price
4-1/2" x .040 x 7/8"	C46S-BFXA	13280	337383	14271	25	\$2.90

Type 27



**Right Angle
Grinder**



Tyrolit PREMIUM 2 in 1 Wheels for Steel & Stainless Steel-Type 27



- Aluminum oxide grain
- Ultimate performance characteristics in cutting material made of rust and acid resistant steels
- Contaminate-free of iron, sulfur and chlorine, <0.1%
- Depressed center configuration

★★★

SIZE	Specification	Max RPM	Material #	Cat #	Unit Pkg. Qty.	List Price
4-1/2" x .060 x 7/8"	A60Q-BFXA	13280	34332928	77263	25	\$3.61
5" x .040 x 7/8"	A60Q-BFXA	12220	34332929	79285	25	\$3.72
5" x .060 x 7/8"	A60Q-BFXA	12220	34332929	79285	25	\$3.72
6" x .045 x 7/8"	A60Q-BFXA	10200	34332930	47672	25	\$3.94

Type 27



**Right Angle
Grinder**



Tyrolit PREMIUM INOX Wheels for Stainless Steel & Acid-Resistant Steel-Type 27



- Aluminum oxide grain
- Ultimate performance wheel for cutting steel and stainless steel
- For cutting thin-wall metal sheets, profiles and tubes
- Contaminate-free of iron, sulfur and chlorine, <0.1%
- Depressed center configuration

★★★

SIZE	Specification	Max RPM	Material #	Cat #	Unit Pkg. Qty.	List Price
4-1/2" x .045 x 7/8"	TA60P-BFXA	13280	34332928	77263	25	\$3.61
5" x .045 x 7/8"	TA60P-BFXA	12220	34332929	79285	25	\$3.72

SMALL DIAMETER CUT-OFF WHEELS



Tyrolit BASIC Small Diameter Cut-Off Wheels - Side Reinforced for Steel and Cast Materials-Type 1



- Aluminum oxide grain
- General purpose cutting wheel for all metals
- Side reinforced for increased life
- For cutting thinwall material and deburring
- **A36** for fast cutting on rough applications
- **A60** for smooth, burr-free cuts



Type 1



Straight grinder

SIZE	Max RPM	Coarse A36TBF Material #	Coarse A36TBF Cat #	Pkg Qty	Med/Fine A60TBF Material #	Med/Fine A60TBF Cat #	Pkg Qty	List Price
3" x 1/16" x 1/4"	25,000	34312842	50038	100	34312887	93368	40	\$1.68
3" x 1/16" x 3/8"	25,000	34312843	93298	40	34312888	44557	40	\$1.68
3" x 3/32" x 1/4"	25,000	34312844	79373	25	34312890	93378	25	\$1.76
3" x 3/32" x 3/8"	25,000	34312846	54079	50	34312892	93813	50	\$1.76
3" x 1/8" x 3/8"	25,000	34312848	93340	50	34312895	93814	50	\$2.17
4" x 1/16" x 1/4"	19,100	34312855	93362	40	34312904	93815	100	\$2.38
4" x 1/16" x 3/8"	19,100	34312856	93364	40	34312905	47628	100	\$2.38
4" x 1/16" x 5/8"	19,100	34312857	79401	40	34312908	93816	40	\$2.38
4" x 1/8" x 3/8"	19,100	34312859	93367	25	34312925	93817	50	\$2.51

1/4" Metal Adapter

Part #	Cat #	List Price
20010606	70030	\$14.07

3/8" Metal Adapter

Part #	Cat #	List Price
20010607	70031	\$ 17.61



Tyrolit BASIC Portable Electric Saw Wheels for Steel-Type 1



- Aluminum oxide grain
- Designed for cutting all ferrous metals (or masonry, concrete option) with portable circular saws
- General purpose wheel with good cut rates and life
- Integrated diamond knockout adapter



SIZE	Specification	Max RPM	Material #	Cat #	Unit Pkg. Qty.	List Price
7" x 1/8" x 5/8"	A30S-BF	8600	34301855	93818	25	\$3.66
8" x 1/8" x 5/8"	A30S-BF	7650	34301859	93848	25	\$4.65
Portable Electric Saw Wheels for Masonry-Type 1						
7" x 1/8" x 5/8"	A30S-BF	8600	34301858	45189	25	\$3.81



Type 1



Electric Circular Saw



Tyrolit BASIC Chop Saw Wheels for Steel-Type 1



- **Single Reinforced-General Purpose**-fast, burr-free cuts in metal and cutting steel studs, rebar and lighter gauge metals
- **Double Reinforced-Premium**-Suited for cutting steel studs
- Also good for rebar and lighter gauge metals. Fast cutting and very good wheel life



Single Reinforced-General Purpose						
SIZE	Specification	Max RPM	Material #	Cat #	Unit Pkg. Qty.	List Price
12" x 7/64" x 1"	A36BF	5100	34301875	93857	10	\$6.64
14" x 7/64" x 1"	A36BF	4400	34301893	93890	10	\$7.77
Double Reinforced-Premium						
12" x 3/32" x 1"	A36BF	5100	34301872	37503	10	\$8.09
14" x 3/32" x 1"	A36BF	4400	34301891	79442	10	\$9.75
16" x 3/32" x 1"	A36BF	3850	34301895	93897	10	\$13.78



Type 1

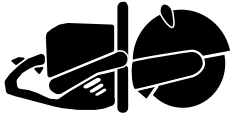


**Chop Saw
Low HP Machines**

HIGH SPEED CUT-OFF WHEELS



Type 1



High Speed
Gas & Portable
Saws



Tyrolit BASIC Heavy Duty High Speed Gas & Portable Saw Wheels for Steel-Type 1



- Aluminum oxide grain
- Designed for all ferrous metals
- A free cutting wheel with exceptional cut rate and very good life
- Triple-reinforced for stability and safety



SIZE	Specification	Max RPM	Material #	Cat #	Unit Pkg. Qty.	List Price
12" x 1/8" x UNV	A30BF	5500	34169155	53056	10	\$9.17
14" x 1/8" x UNV	A30BF	5500	34169156	51567	10	\$13.49
16" x 1/8" x UNV	A30BF	5100	34169157	65475	10	\$24.52



Tyrolit BASIC Heavy Duty High Speed Gas & Portable Saw Wheels for Ductile/Cast Iron & Asphalt-Type 1



- Aluminum oxide/silicon carbide blend
- Designed for ductile pipe, asphalt and cast iron
- Exceptional cut rate and life
- Triple-reinforced for stability and safety



SIZE	Specification	Max RPM	Material #	Cat #	Unit Pkg. Qty.	List Price
12" x 1/8" x UNV	AC30BF	5500	34169183	65482	10	\$9.17
14" x 1/8" x UNV	AC30BF	5500	34169184	51568	10	\$13.49
16" x 1/8" x UNV	AC30BF	5100	34169185	65483	10	\$24.52



Tyrolit BASIC Heavy Duty High Speed Gas & Portable Saw Wheels for Masonry & Concrete-Type 1



- Silicon carbide grain
- Designed for cutting concrete, masonry, stone, brick and PVC pipe
- Exceptional cut rate and very long life
- Triple-reinforced for stability and safety



SIZE	Specification	Max RPM	Material #	Cat #	Unit Pkg. Qty.	List Price
12" x 1/8" x UNV	C30BF	5500	34169159	65485	10	\$9.17
14" x 1/8" x UNV	C30BF	5500	34169160	51573	10	\$13.49
16" x 1/8" x UNV	C30BF	5100	34169182	65493	10	\$24.52

UNV
Universal Arbor
(1" & 20mm)

HIGH SPEED CUT-OFF WHEELS



Tyrolit PREMIUM High Speed Gas & Electric Saw Wheels for Steel-Type 1



- Premium aluminum oxide grain
- When increased productivity is required in cutting all ferrous metals, structural steels, rebar and metal decking.
- Good for rail cutting applications
- Superior cut rate and wheel life

★★★★

SIZE	Specification	Max RPM	Material #	Cat #	Unit Pkg. Qty.	List Price
12" x 1/8" x 1"	A30P/100	5100	20010511	64192	10	\$14.19
12" x 1/8" x 20mm	A30P/100	5100	20010520	64193	10	\$14.19
14" x 1/8" x 1"	A30P/100	4400	20010509	64194	10	\$18.92
14" x 1/8" x 20mm	A30P/100	4400	20010510	64195	10	\$18.92

Type 1



High Speed
Gas & Portable
Saws



Tyrolit PREMIUM High Speed Gas & Electric Saw Wheels for Ductile/Cast Iron & Asphalt-Type 1



- Premium aluminum oxide/silicon carbide grain
- When increased productivity is required in cutting ductile pipe, cast iron and asphalt
- Superior cut rate and wheel life

★★★★

SIZE	Specification	Max RPM	Material #	Cat #	Unit Pkg. Qty.	List Price
12" x 1/8" x 1"	AC24/100	5100	20010513	64196	10	\$14.19
12" x 1/8" x 20mm	AC24/100	5100	20010514	64197	10	\$14.19
14" x 1/8" x 1"	AC24/100	4400	20010515	64198	10	\$18.92
14" x 1/8" x 20mm	AC24/100	4400	20010516	64199	10	\$18.92



Tyrolit PREMIUM High Speed Gas & Portable Saw Wheels for Masonry & Concrete-Type 1



- Premium silicon carbide grain
- When increased productivity is required in cutting concrete, masonry, stone and PVC pipe
- Superior cut rate and wheel life

★★★★

SIZE	Specification	Max RPM	Material #	Cat #	Unit Pkg. Qty.	List Price
12" x 1/8" x 1"	1C24/100	5100	20010517	64200	10	\$14.19
12" x 1/8" x 20mm	1C24/100	5100	20010518	64202	10	\$14.19
14" x 1/8" x 1"	1C24/100	4400	20010519	64203	10	\$18.92
14" x 1/8" x 20mm	1C24/100	4400	20010521	64204	10	\$18.92

CUT-OFF WHEELS

Type 1



Tyrolit BASIC Stationary Cut-Off Wheels for Steel-Type 1



- Aluminum oxide grain
- General purpose cut-off wheels designed for higher horsepower stationary cut-off machines
- Designed to make straight cuts in structural steel, solids, pipe and tubing



SIZE	Specification	Max RPM	Material #	Cat #	Unit Pkg. Qty.	List Price
10" x 1/8" x 5/8"	A30S-BF	6150	34337101	93966	10	\$10.13
10" x 1/8" x 1"	A30S-BF	6150	34337102	94000	10	\$10.13
12" x 1/8" x 1"	A30S-BF	5100	34312945	94069	10	\$11.56
14" x 1/8" x 1"	A30S-BF	4400	34301892	94078	10	\$14.70
16" x 1/8" x 1"	A30S-BF	3850	34301897	47009	10	\$18.15
16" x 5/32" x 1"	A30S-BF	3850	34301898	88583	10	\$20.79
18" x 5/32" x 1"	A30S-BF	3400	34301899	53967	10	\$30.86
20" x 5/32" x 1"	A30S-BF	3100	34301900	47021	10	\$38.57



Tyrolit BASIC Stationary Cut-Off Wheels for Masonry/Concrete-Type 1



- Silicon carbide grain
- General purpose cut-off wheels designed for higher horsepower stationary cut-off machines
- Designed to make straight cuts in masonry, concrete, stone and brick



SIZE	Specification	Max RPM	Material #	Cat #	Unit Pkg. Qty.	List Price
12" x 1/8" x 1"	C30S-BF	5100	34337103	94115	10	\$11.69
14" x 1/8" x 1"	C30S-BF	4400	34301894	94116	10	\$16.62



Tyrolit BASIC Cold & Hot Pressed Walk Behind Wheels for Concrete-Type 1



- Silicon carbide grain-designed for cutting concrete, masonry, brick on all low HP walk-behind machines
- Fast cutting and good life with triple reinforcement for added safety
- Hot pressed wheels combine fast cutting action with extremely long life
- The hot press process enhances wheel life and strength-use on <18HP
- Suitable for concrete, green concrete and asphalt



SIZE	Specification	Max RPM	Material #	Cat #	Unit Pkg. Qty.	List Price
14" x 3/16" x 1"	A30-BF	4400	34312948	45186	10	\$17.56
14" x 1/4" x 1"	CP	4400	34312831	89323	5	\$21.34
18" x 1/4" x 1"	CP	3400	ABCC18250	37741	10	\$83.02
Hot Pressed Walk Behind Wheels for Concrete-Type 1						
14" x 3/16" x 1"	CHP	4400	30015060	59631	5	\$51.19
14" x 1/4" x 1"	CHP	4400	30015061	59632	5	\$56.80
18" x 1/4" x 1"	CHP	3400	30015062	59633	5	\$99.06



Tyrolit BASIC Cold Pressed Walk Behind Wheels for Asphalt & Green Concrete-Type 1



- Silicon carbide grain
- Designed for cutting asphalt and green concrete on all low HP walk-behind saws <18HP
- All wheels have drive pin hole



SIZE	Specification	Max RPM	Material #	Cat #	Unit Pkg. Qty.	List Price
14" x 3/16" x 1"	AC30-BF	4400	34328118	45187	10	\$17.56

Type 1





Tyrolit BASIC 2 in 1 Zirconia Flap Discs for Steel and Stainless Steel-Type 29



- General purpose, economically priced flap disc
- Zirconium grain
- Suitable for grinding, deburring, trimming, beveling, cleaning and surface conditioning
- Good for all metals
- Contaminant-free/ iron, sulfur and chlorine <0.1%



Type 29



15°

**Right Angle
Grinder**

SIZE	Specification	Max RPM	Material #	Cat #	Unit Pkg. Qty.	List Price
4" x 5/8"	ZA40-B	15270	34334377	94140	10	\$4.98
4" x 5/8"	ZA60-B	15270	34335384	94141	10	\$4.98
4" x 5/8"	ZA80-B	15270	34335385	94142	10	\$4.98
4-1/2" x 7/8"	ZA40-B	13280	34335386	54121	10	\$5.13
4-1/2" x 7/8"	ZA60-B	13280	34335388	94146	10	\$5.13
4-1/2" x 7/8"	ZA80-B	13280	34335390	94147	10	\$5.13
5" x 7/8"	ZA40-B	13280	34335741	94149	10	\$5.84
5" x 7/8"	ZA60-B	13280	34335743	94154	10	\$5.84
5" x 7/8"	ZA80-B	13280	34335745	79421	10	\$5.84



Tyrolit PREMIUM Zirconia Flap Discs for Steel and Stainless Steel-Type 27



- Premium zirconium grain
- Suitable for grinding work, deburring, trimming, beveling, cleaning and surface conditioning
- Extremely long life compared to aluminum oxide discs
- Aggressive and fast cutting
- Suitable for grinding steel, stainless steel and cast materials
- Contaminant-free of iron, sulfur and chlorine, <0.1%



Type 27



30°

**Right Angle
Grinder**

SIZE	Specification	Max RPM	Material #	Cat #	Unit Pkg. Qty.	List Price
4-1/2" x 7/8"	ZA40-B	13280	34334161	94155	10	\$8.56
4-1/2" x 7/8"	ZA60-B	13280	34334163	94156	10	\$8.56
4-1/2" x 7/8"	ZA80-B	13280	34334165	46938	10	\$8.56
4-1/2" x 7/8"	ZA40-B (plastic back)	13280	34333927	94157	10	\$7.70
4-1/2" x 7/8"	ZA60-B (plastic back)	13280	34333965	94158	10	\$7.70
4-1/2" x 7/8"	ZA80-B (plastic back)	13280	34334029	94159	10	\$7.70



Tyrolit PREMIUM Zirconia Flap Discs for Steel and Stainless Steel-Type 29



- Premium zirconium grain
- Suitable for grinding work, deburring, trimming, beveling, cleaning and surface conditioning
- Extremely long life compared to aluminum oxide discs
- Aggressive and fast cutting
- Suitable for grinding steel, stainless steel and cast materials
- Contaminate-free of iron, sulfur and chlorine, <0.1%



Type 29



15°

**Right Angle
Grinder**

SIZE	Specification	Max RPM	Material #	Cat #	Unit Pkg. Qty.	List Price
4-1/2" x 7/8"	ZA40-B	13280	34334120	68890	10	\$8.56
4-1/2" x 7/8"	ZA60-B	13280	34334676	46964	10	\$8.56
4-1/2" x 7/8"	ZA80-B	13280	34334145	59859	10	\$8.56
4-1/2" x 5/8"-11	ZA40-B	13280	34334141	94168	10	\$11.33
4-1/2" x 5/8"-11	ZA60-B	13280	34334677	94169	10	\$11.33
4-1/2" x 5/8"-11	ZA80-B	13280	34334149	94170	10	\$11.33
4-1/2" x 5/8"-11	ZA120-B	13280	34334679	74370	10	\$11.33
5" x 7/8"	ZA40-B	12220	34334680	94171	10	\$11.03
5" x 7/8"	ZA60-B	12220	34334126	47330	10	\$10.73
5" x 7/8"	ZA80-B	12220	34334128	47327	10	\$10.73
6" x 7/8"	ZA40-B	10200	34334684	94172	10	\$13.49
6" x 7/8"	ZA60-B	10200	34334686	94173	10	\$13.49



Tyrolit PREMIUM High Density JUMBO Zirconia Flap Discs for Steel and Stainless Steel-Type 29



- Premium zirconium grain
- Suitable for grinding work, deburring, trimming, beveling, cleaning and surface conditioning
- **Ultra long life** compared to aluminum oxide discs
- Aggressive and fast cutting
- Suitable for grinding steel, stainless steel and cast materials
- Contaminate-free of iron, sulfur and chlorine, <0.1%

SIZE	Specification	Max RPM	Material #	Cat #	Unit Pkg. Qty.	List Price
4-1/2" x 7/8"	ZA40-B	13280	34299592	64502	10	\$10.60
4-1/2" x 5/8"-11	ZA40	13280	34334098	19209	5	\$13.26



Spindle Mounted Wire Brushes for Steel



**Straight
Grinder**



- For use on portable tools and die grinders
- 1/4" diameter shank
- Designed for use in cleaning and finishing recessed areas and pipes for aggressive cutting and deburring

Knot Type Steel Wire								
Diameter	Wire Size	Trim Length	Overall Length	Max RPM	Material #	Cat #	Unit Pkg. Qty.	List Price
3/4"	.020	1.20	2.80	20000	52685	63573	25	\$20.47
1-1/8"	.020	1.20	2.80	20000	52680	63574	25	\$24.12
Crimped Steel Wire								
Diameter	Wire Size	Trim Length	Overall Length	Max RPM	Material #	Cat #	Unit Pkg. Qty.	List Price
3/4"	.020	.86	2.60	20000	52679	63575	25	\$6.15
1"	.020	1.0	2.70	20000	890722	63576	25	\$7.23
Circular Flared Steel Wire								
Diameter	Wire Size	Trim Length	Overall Length	Max RPM	Material #	Cat #	Unit Pkg. Qty.	List Price
2"	.012	.50	0.50	20000	890845	64424	25	\$8.28
3"	.012	.60	0.75	20000	890848	63577	25	\$10.93



Crimped Wire Cup Brushes for Steel



**Right
Angle
Grinders**



- For use on right angle grinders
- 5/8"-11 threaded arbor
- Designed for heavy cutting, deburring, weld prep and rust removal
- Fast, aggressive cutting action
- Crimped wire for greater flexibility and light cleaning and material removal, especially for irregular surfaces. Available in carbon or stainless steel wire

Crimped Wire Brushes for Steel							
Diameter	Wire Size	Arbor	Max RPM	Material #	Cat #	Unit Pkg. Qty.	List Price
2-3/4"	.012	5/8-11	12000	52666	60071	1	\$11.18
4"	.014	5/8-11	9000	896251	80418	1	\$34.97
5"	.020	5/8-11	6500	896253	77633	1	\$43.07
6"	.020	5/8-11	6000	896254	76578	1	\$46.83



Knot Wire Cup Brushes for Steel or Stainless Steel



**Right
Angle
Grinders**



- For use on right angle grinders
- 5/8"-11 threaded arbor
- Designed for heavy cutting, deburring, weld prep and rust removal
- Fast, aggressive cutting action
- Weld or large area cleaning

Knot Wire Cup Brushes for Steel							
Diameter	Wire Size	Arbor	Max RP	Material #	Cat #	Unit Pkg. Qty.	List Price
2-3/4"	.020	5/8-11	12000	52672	60072	1	\$16.93
4"	.020	5/8-11	9000	52673	61851	1	\$35.05
5"	.020	5/8-11	6500	52675	58778	1	\$55.69
6"	.020	5/8-11	6000	52678	79856	1	\$58.52
Knot Wire Cup Brushes for INOX/Stainless							
Diameter	Wire Size	Arbor	Max RPM	Material #	Cat #	Unit Pkg. Qty.	List Price
2-3/4"	.020	5/8-11	12000	52676	60463	1	\$27.86
4"	.020	5/8-11	9000	52677	64591	1	\$70.61
Wire Cup Adapters							
Adapter Size	Adapts To	Material #	Cat #	Unit Pkg. Qty.	List Price		
M10 x 1.50 to 5/8"-11	B&D, Hitachi, Skil	20011964	73998	1	\$9.72		
3/8-24 to 5/8"-11	Air Tools	20011965	68002	1	\$9.72		

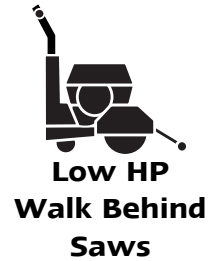
WIRE WHEELS & CUP WHEELS



Tyrolit PREMIUM Wire Brushes for Joint Crack Cleaning for Concrete-Type 1



- For use on small, low horsepower walk behind saws
- Designed for cleaning concrete expansion joints
- Maximum RPM-5,000



Diameter	Wire Size	Arbor	Max RPM	Material #	Cat #	Unit Pkg. Qty.	List Price
12" x .625 with drive pin	.035	1"	5000	896247	76619	2	\$127.23



Tyrolit PREMIUM Twist Knot Wire Wheels for Steel or Stainless Steel



- For use on small side grinders
- **Regular Twist Knot**-provides low flexibility and aggressive cutting and cleaning
- **Stringer Bead Twist Knot**-provides more aggressive cleaning and cutting for the most demanding applications
- Designed for welds, flux removal and applications where a narrow face is required



Regular Twist Knot Wire Wheels For Steel							
Diameter	Wire Size	Arbor	Max RPM	Material #	Cat #	Unit Pkg. Qty.	List Price
4"	.014	5/8"-11	12000	52693	62674	1	\$21.22
6"	.020	5/8"-11	9000	52697	59670	1	\$44.59
Stringer Bead Knot Wire Wheels For Steel							
4"	.020	5/8"-11	12000	52694	61506	1	\$28.11
6"	.020	5/8"-11	9000	52699	61099	1	\$48.85
Regular Twist Knot Wire Wheels For INOX/Stainless							
6"	.020	5/8"-11	9000	52702	68618	1	\$68.81
Stringer Bead Knot Wire Wheels For INOX/Stainless							
4"	.020	5/8"-11	12000	52700	62321	1	\$42.07



Flaring Cup Wheels for Steel & Masonry



- Aluminum oxide grain
- For use on right angle grinders
- Coarse 16 or 24 grit wheel for demanding grinding applications
- Heavy stock removal on all ferrous metals



**Right Angle
Grinders**

XPERT Flaring Cup Wheels for Metal-Type 11							
SIZE	Specification	Max RPM	Material #	Cat #	Unit Pkg. Qty.	List Price	
4" x 2" x 5/8"-11	A24PB (24 grit)	9050	2010525	65500	1	\$21.39	
5" x 2" x 5/8"-11	A24PB (24 grit)	7260	20006831	59295	1	\$26.81	
6" x 2" x 5/8"-11	A16PB (16 grit)	6050	20006824	59010	1	\$31.10	
6" x 2" x 5/8"-11	A24PB (24 grit)	6050	20006829	59296	1	\$31.10	
XPERT Flaring Cup Wheels for Masonry & Concrete-Type 11							
SIZE	Specification	Max RPM	Material #	Cat #	Unit Pkg. Qty.	List Price	
4" x 2" x 5/8"-11	C16PB (16 grit)	9050	2010526	65501	1	\$23.43	
5" x 2" x 5/8"-11	C16PB (16 grit)	7250	2010524	65499	1	\$30.75	
6" x 2" x 5/8"-11	C16PB (16 grit)	6050	20006823	59147	1	\$35.53	

BLOCKS, STONES & GRINDING WHEELS



Rubbing Blocks & Grinding Stones for Concrete/Masonry



- **Rubbing Blocks**-long life and good performance for removing mold and form marks, cleaning castings and smoothing concrete surfaces-comes with or without handle
- **Grinding Stones**-for removal and/or grinding concrete imperfections, uneven joints or smoothing exposed aggregate
- Available in : **Coarse** (fast removal), **Medium** (finish grinding) or **Fine** (smoothing surfaces)

Grinding Stones Can Be Used on the CC200 Floor Grinder



Hand Tool

Rubbing Blocks					
SIZE/DESCRIPTION	Material #	Cat #	Unit Pkg. Qty.	List Price	
6" x 3" x 1" with handle	ABRBH-HR252	35064	5	\$36.64	
8" x 3-1/2" x 1-1/2" with handle	ABRBH-HR250	35065	5	\$44.95	
8" x 2" x 2" fluted without handle	ABRBF-HR242	35062	6	\$24.34	
Grinding Stones					
SIZE	Grit	Material #	Cat #	Unit Pkg. Qty.	List Price
2" x 2" x 4"	Coarse	ABCH-10	35067	6	\$12.54
2" x 2" x 4"	Medium	ABCH-24	35063	6	\$12.54
2" x 2" x 4"	Fine	ABCH-80	35066	6	\$12.54



Zec and Semi-Flexible Grinding Discs for Concrete/Masonry



- **Zec® Disc**-16 grit silicon carbide, minimal loading, ideal for grinding concrete, masonry and stone along with adhesives from concrete
- No backup pad needed
- **Semi-Flex Disc**-16, 24, 36, 60, 80 & 120 grit silicon carbide-a lower cost alternative to plastic-backed Zec wheels
- Must be used with backup pads (See page 255)



Side Grinders

ZEC® Grinding Disc-No Backup Pad Required						
SIZE	Grit	Max RPM	Material #	Cat #	Unit Pkg. Qty.	List Price
4-1/2" x 7/8"	16-Grit Silicon	13280	SCGD4500	58155	5	\$14.80
7" x 7/8"	16-Grit Silicon	8600	SCGD7000	58154	5	\$17.22
General Purpose Grinding Disc-Must Be Used with Backup Pad-See page 255 for Backup Pads						
4-1/2" x 7/8"	16-Grit Silicon	13280	20016050	21271	25	\$10.02
4-1/2" x 7/8"	24-Grit Silicon	13280	20016051	21273	25	\$10.02
4-1/2" x 7/8"	36-Grit Silicon	13280	20016052	21274	25	\$10.02
4-1/2" x 7/8"	60-Grit Silicon	13280	20016056	36562	25	\$10.02
4-1/2" x 7/8"	80-Grit Silicon	13280	20016057	36563	25	\$10.02
4-1/2" x 7/8"	120-Grit Silicon	13280	20016058	36564	25	\$10.02
7" x 7/8"	16-Grit Silicon	8600	20016053	21282	25	\$13.73
7" x 7/8"	24-Grit Silicon	8600	20016054	21275	25	\$13.73
7" x 7/8"	36-Grit Silicon	8600	20016055	21276	25	\$13.73

Backing Pads				
SIZE	Material #	Cat #	Unit Pkg. Qty.	List Price
4-1/2"	44878	64970	1	\$11.79
5"	44879	68811	1	\$14.53
7"	44880	64548	1	\$20.07

Nut for Zec® Disc		
Part #	Cat #	List Price
SCGD-NUT	60210	\$17.79



CG-1 & CG-2 MINI GROOVER/GRINDERS

Easy-to-Use Compact Grooving and Grinding Machines



10" Wide Capacity

Gasoline

Diesel

Electric

FEATURES

- Compact and maneuverable machine that can be used for grooving and grinding applications
- Great for trenchwork and projects where large machines cannot access
- Self-propelled hydrostatic transmission
- Heavy duty construction to handle big jobs
- Power raise and lower system
- Up-cut grinding head rotation
- Accepts 12" blades

CG-2 with a powerful 30 HP (22.3 kW) Lincoln® electric motor

MINI-GROOVERS



Mini- Groover control panel with power raise and lower controls, drive control and gauge



Blades and spacers sold separately

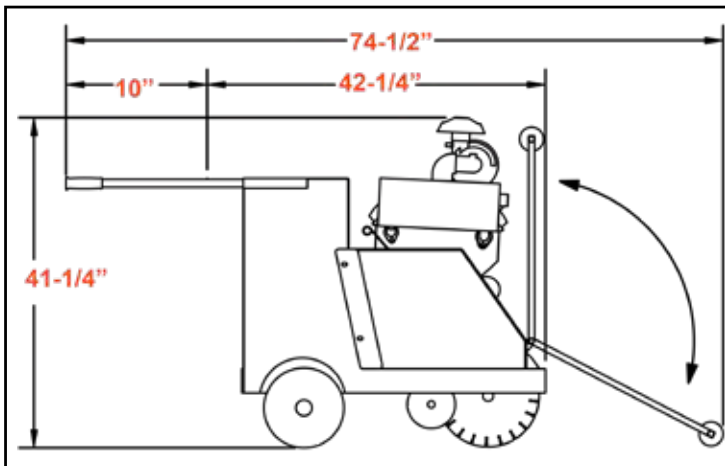




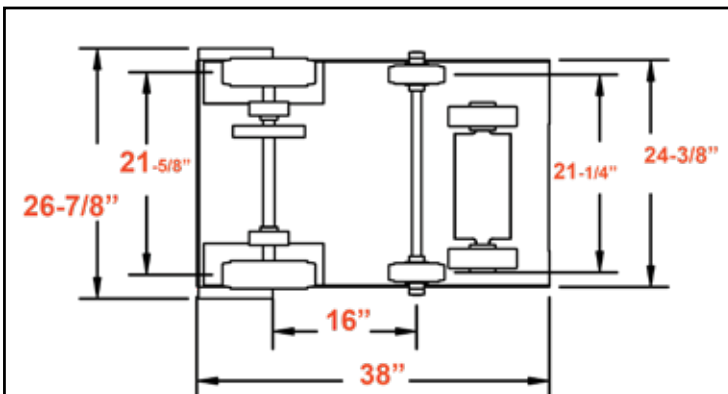
CG-1 & CG-2 MINI-GROOVERS

Model #	Engine/Capacity	Grinding Head Capacity (Width)	Part #	Cat #	Product Weight (lbs)	List Price
CG-1G24	20.5 HP (15.2 kW) Honda® GX760	10" (25.4cm)	5803003	08005	800	\$25,925
CG-1E15	15 HP (11.9 kW) Marathon® Electric	10" (25.4cm)	5803005	08009	780	30,488
CG-2E30	30 HP (22.31 kW) Lincoln® Electric	16" (40.64cm)	5803007	08985	1,800	41,870

Horsepower and torque as rated by the engine manufacturer.



Useful for creating textured anti-slip areas for improved traction



Uses 12" (30.48cm) diameter blades on a 10" (25.4cm) or 16" (40.64cm) grinding head with specifications that can be custom fit to your application

MINI-GROOVERS

TBG134C BRIDGE DECK GROOVER



MADE IN THE U.S.A.

An improved version of the TBG130B, the **TBG134C Bridge Deck Groover** delivers more productivity, reduced grooving costs and less downtime. Redesigned hydraulics for maximum efficiency and ease of maintenance.

Call 1-800-225-0142 for more information and pricing.

FEATURES

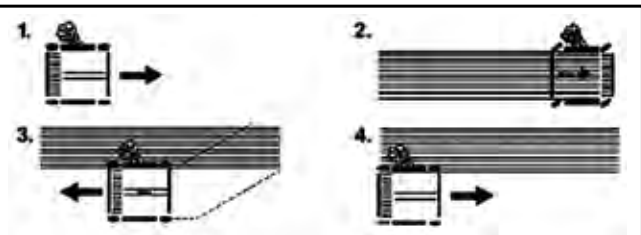
- Removable seat and flip up operators platform
- Rapid carriage retract
- Front & rear pointers
- Night operation light package
- Safety strobe lights
- Adjustable carriage travel limit switches
- Left & right adjustable depth control wheels
- Lift eyes
- 100 gallon fuel capacity allows for up to 10 hours of operation
- Power steering
- Rear crab steer allows for operation in small areas
- Grooves within 12" (34.48cm) of curb or barrier wall

TBG134C SPECIFICATIONS

Engine:	Caterpillar C4.4 174HP (129.7Kw) @ 2200rpm turbo-charged/intercooled electronically controlled diesel engine. Meets U.S. EPA Tier 4 Final and EU stage IV emission requirements. Fuel consumption is approximately 10gph (37.8 LPH)
Fuel Capacity:	100 gallon (370L)
Hydraulic Oil Tank Capacity:	70 gallon (259L)
Dimensions:	Length 7ft, 7in(231cm), Width 7ft, 7in(231cm), Height 10ft(304cm), Weight 12,000lbs(26,400kg)
Cutting Width:	38in(96.52cm)
Blade Diameter:	12in(30.48cm)

UNIQUE "CRAB" FEATURE

A switch is provided on the control panel which causes the rear drive wheels to pivot to 28 degrees. A quick turn of the steering wheel to full left lock positions the front wheels at the same 28 degrees. This allows the TBG130C to "crab" sideways while backing up and remain parallel to the previously cut grooves. The TBG130C can thus groove in a 12' wide lane and realign for the next pass in one backward movement. **NO MACHINE ON THE MARKET TODAY OFFERS THIS FEATURE .** (see diagrams to the right).



PC1504 PAVEMENT GRINDER & GROOVER



FEATURES

- Capable of grinding to within 10" (25.4cm) of a vertical wall.
- Fast, nimble and easy to use.
- Equipped with odometer that measures total footage (meters) ground and has a resettable daily production odometer and feet (meters) per minute indicator.
- 5" (12.7cm) diameter blade shaft for use with 12" (30.48cm) diameter blades. Blades for grinding or grooving can be stacked up to 38" (96.52cm) cutting width.
- Front bogey assembly is adjustable for an effective wheelbase of 9' (2.74m) to 11'(3.35m) -center of cutting head to center of front bogey.
- On board vacuum system with diaphragm slurry pump and silencer.
- Depth control wheels are side to side adjustable for accurate cut matching.
- Manually adjusted grooving depth control wheels attach to mainframe on blade-shaft center line for accurate depth control.
- Excellent for airport grooving

CE
Certified

PC1504 SPECIFICATIONS

Engines:	Caterpillar® 7.1Liter 260HP (193.8kw)@ 2100rpm, Turbo-charged/inter-cooled, electronically controlled diesel engine. Meets EPA Tier 4, EU Stage IV Emission Requirements. Fuel Consumption 10gph (37.85L/HR)
Dimensions:	Length 29ft (8.83M), Width: 7ft (2.13M), Height 10ft (3.04M), Weight: 21,000lbs (9147kg)
Fuel Capacity:	150 gallons (567L)
Blade shaft:	5in diameter (12.7cm) with 4 draw bolts
Blade Diameter:	12in (30.48cm) 14in (35.56cm)
Cutting width:	38in (96.52cm)
Blade shaft RPM:	1400 rpm low range, 1900 rpm high range
Blade shaft Drive:	Engine power is transmitted through a manually operated PTO clutch to a right angle drive gearbox which drives a single Poly Chain GT Carbon belt.
Ground Drive:	Electronic joystick controlled closed loop hydrostatic ground drive with 2 hydraulic wheel motor assemblies with integral brakes and two speed function.
Travel Speed:	0-300fpm (68.58mpm)
Machine Controls:	Forward/Reverse electronic joystick with neutral lock and integral raise/lower switch. Power steering, water on/off, 2-Speed, Brake on/off, adjustable operators seat and removable foot platform, water pressure gauge and alarm, Hydraulic system pressure gauge
Engine Instruments:	Electronic screen displays engine RPM, oil pressure, coolant temp, engine hours, volt meter. Screen also provides for engine diagnostics and fault codes.

**Call 1-800-225-0142 for more
information and pricing.**



MADE IN THE
U.S.A.



PC4504 PAVEMENT BUMP GRINDER



50" Cutting Width

Diesel



MADE IN THE U.S.A.

FEATURES

- High Production pavement grinding on either concrete or asphalt.
- Designed for small continuous grinding projects or bump grinding.
- Can be operated manually or with computer controlled cruise control system that automatically adjusts forward speed to cutting conditions.
- Equipped with odometer that measures total footage (meters) ground and has a resettable daily production odometer and feet (meters) per minute indicator.
- On board slurry vacuum and discharge system.
- Hydraulically controlled depth control wheels.
- Depth control wheels are side to side adjustable for accurate cut matching.
- Designed to grind within 9.5 inches (24.1cm) of curb face and raised medians.
- The PC4500 is excellent for Urban/City Street grinding projects.
- Stainless steel fresh water system

CE Certified

Call 1-800-225-0142 for more information and pricing.



Ability to grind close to barrier walls and curb

PC4504 SPECIFICATIONS

- Engine:** Caterpillar® C18, 575 HP @ 2100 RPM, Turbocharged and after-cooled electronically controlled diesel engine. Meets U.S. EPA Tier 4, EU Stage IV emission requirements. Fuel capacity: 220 Gallons (832 Liters), Fuel consumption: 28.3 GPH
- Dimensions:** Length: 30', Width: 7', Height: 9'6", Weight: 46,500 lbs (21,092Kg)
- Blade Capacity:** 18" diamond blades
- Blade shaft Drive:** Engine power is transmitted to blade shaft through a fluid clutch/hydraulic pump drive gearbox. A single Poly Chain GT Carbon belt drives blade shaft.
- Cut Width:** 50 inches (127cm)
- Blade shaft:** 8" (20.32cm) diameter with 2 keyways
- Blade shaft Speeds:** High range-1,900 RPM, Low range-1,315 RPM
- Propulsion:** 4 hydraulic wheel motor assemblies with integral brake and two speed function speed is 0-250 feet per minute forward/reverse
- Controls/Instrumentation:**
- Electronic joystick forward/reverse control
 - Engine voltage meter
 - Safety shutdowns and alarms on engine, hydraulic system and transmission
 - Coolant pressure gauge and alarm
 - Engine instrumentation includes, Tachometer, oil pressure
 - Water temp, Hour meter, and Amp meter
 - Hydraulic system pressure monitoring gauge
 - Lighted for night operation, Safety Beacons and backup alarm





PC6004EC HIGHWAY GRINDER



50" Cutting Width

Diesel

FEATURES

- Designed for high production grinding/profiling of concrete and asphalt pavements
- Centrally located operator station allows for either left or right side operation
- Can be operated manually or with computer controlled cruise control system that automatically adjusts forward speed to cutting conditions
- Equipped with odometer that measures total footage (meters) ground and has a resettable daily production odometer and feet (meters) per minute indicator
- On board slurry vacuum and discharge system
- Depth control wheel assemblies are side to side adjustable for accurate cut matching
- Hydraulically controlled depth control wheels
- Front wheel bogey assembly is adjustable to optimize cutting plane based on job conditions
- Can be transported with standard 3-axle semi tractor.
- On board 2200-gallon (8327 L) water tank with hydraulically driven water pump. On board water filtration is provided. Water system plumbing and spray bar are stainless steel to eliminate system rust.

CE
Certified

PC6004EC Grinder



The PC6004EC Highway Grinder brings proven and patented closed loop control to the field of highway diamond grinding. Custom designed and built at our Nampa, Idaho Facility. The revolutionary PC6000 is state-of-the-art in highway grinding efficiency.

A full industrial computer acts as an operator interface for the machine allowing the operator to monitor conditions and adjust set points as needed.

Call 1-800-225-0142 for more information and pricing.



PC6004EC SPECIFICATIONS

- Main Engine:** Caterpillar® C18 630HP (469.7Kw) Turbocharged and air to air after-cooled electronically controlled diesel engine. Meets U.S. EPA Tier 4 Final and EU Stage IV emission. Fuel consumption is approximately 30GPH (113 LPH) @ 1900RPM.
- Auxiliary Engine:** Caterpillar® C4.4 148HP (110.3Kw) Turbocharged and air-to-air after-cooled electronically controlled diesel engine. Meets U.S. EPA Tier 4 Final and EU Stage IV emission. Fuel consumption is approximately 9GPH (34 LPH) @ 2200 RPM.
- Dimensions:** Length: 49' (14.9 Meters) Width: 104"(264.1CM)
- Height:** 152"(386.08CM)
- Weight:** 56,000 lbs. (25,401 Kg) with blade shaft installed and full fuel tank, 75,000 lbs. (34,020 Kg) with full water tank. Note: The PC6000 is a legal load with water tank empty when attached for transport to a standard 3-axle semi-tractor. Axle loads are approximately, 25,000lbs(11,340 Kg) on machine tandems, 25,000lbs(11,340Kg) on semi-tractor tandems. U.S. standard air brake and light connections are provided.
- Blade shaft Drive:** Engine power is transmitted to blade shaft through an Electro/Hydraulic fluid clutch, heavy duty coupling, right angle drive and two Poly Chain GT Carbon belts
- Cutting Width:** 50" (127Cm)
- Blade shaft:** 8"(20.32Cm) diameter with 2 key ways
- Blade shaft Speed:** Low 1315 RPM, High 1900 RPM
- Blade Capacity:** 16"(40.64Cm) or 18"(45.72Cm) diameter blades may be used. Quantity is dependent on blade spacing requirements.
- Travel Speed:** Maximum travel speed 250 FPM (76.2mpm) forward/Reverse. Cutting/Grinding speed depends upon blade selection, amount of material being removed and hardness of the material.
- Fuel Capacity:** 450 Gallon (1703.25L) Note: Single tank supplies fuel to both engines
- Hydraulic Oil Capacity:** 100 Gallon (378.5L) Note: Hydraulic tank has in tank mounted return oil filtration. Air over oil coolers are mounted to main engine radiator to provide hydraulic oil, Fuel and fluid clutch cooling.
- Hydraulic Systems:**
- Ground drive:** Closed loop electronically controlled hydrostatic pump drives two piston motors that are mounted to two Torque hubs on traction frame.
- Vacuum System Drive:** Open loop electronically controlled with soft start valve..
- Auxiliary Drive:** Open loop. Auxiliary functions such as cutting head raise/lower, slurry pump on/off are electronically controlled. Some other functions are manually controlled such as landing legs and front bogey slide.
- Steering:** Power steering is standard.
- Instrumentation:** Full complement of engine and machine monitoring
Instrumentation and machine controls are located at operator's station.
Instrumentation and controls includes safety shutdowns and alarms on engine, hydraulic system and transmission
- Lighting:** Full complement of work lights, safety beacons and flashers for night operations.



CG3R Pavement Groover



Ride-On Pavement Groover with Integral Slurry Vacuum and Discharge System

CG3R SPECIFICATIONS

Engine	Deutz Turbo Diesel 2.9L, 74.9HP Tier 4 Final, EU Stage V Engine
Dimensions	Length 87-5/8" (222.57cm), Width 54-1/8" (137.48cm), Height 87-7/8" (223.2cm)
Weight	3200 lbs. (1451.5Kg) Estimated
Fuel Capacity	25.85 Gallons (97.85 liters)
Blade Shaft	5" (12.7cm) Diameter with 4-Draw Bolts
Blade Diameter	12" (30.48cm)
Cutting Width	30" (76.2cm)
Blade Shaft RPM	1300 Maximum
Blade Shaft Drive	Belt Driven
Hydraulics	Electric/Hydraulic Blade Raise/Lower
Ground Drive	Joystick-controlled Belt Driven Closed Looped hydrostatic pump
Vacuum System	Hydraulically-driven Fan and Hydraulically-driven Self Priming Centrifugal Slurry Pump
Electrical	12 Volt
Speed	Up to 250 Feet Per Minute Forward/Reverse
Machine Controls	Hydraulically-assisted Steering, Joystick Ground Drive Control with Integral Head Raise/Lower Switch
Instrumentation	Digital Engine Panel, Fuel Gauge and E-Stop

12" Blade Capacity (5" Bore)

Diesel

FEATURES

- Riding unit for grooving long areas of pavement
- Compact and highly maneuverable
- Robust construction and heavy duty design
- On-board slurry vacuum & discharge system
- 30" (77.2cm) grooving width
- Uses standard 5" (12.7cm) bore 12" (30.48cm) diameter blades
- Joystick speed control with integral raise/lower switch
- Full compliment of work lights for night jobs

CG3R PAVEMENT GROOVER

Description	Part #	Cat #	List Price
CG3R Pavement Groover - 74.9HP Deutz Diesel Tier 4 Final	CG3R	99357	\$139,642

WARRANTIES



DIAMOND TOOLS LIMITED WARRANTY

Diamond Products Limited warrants all of its diamond tools against defects in material and workmanship for a period of one (1) year from the date of shipment to Customer. All laser welded blades and bits are warranted against segment loss due to weld failure. Determination of the applicability of warranty will be made after the product is inspected by our Warranty Claims Department. The warranty does not cover any tool which Diamond Products determines to have been used in an improper application, subjected to negligent abuse, improperly mounted, altered, involved in a non-application accident or miscellaneous damaged. **The responsibility of Diamond Products under this Warranty is limited to repair or replacement at Diamond Products' option free of charge. In no event shall Diamond Products be liable for consequential or incidental damages.** This warranty includes all labor, parts and shipping costs via UPS ground. Proof of purchase in the form of an invoice showing the date of shipment to be within one (1) year must accompany all warranty claims. Diamond Products reserves the right to prorate any warranty claim based upon a percentage of tool life prior to the failure in question.

**THIS WARRANTY IS IN LIEU OF ALL OTHER WARRANTIES EXPRESSED OR IMPLIED,
AND ALL SUCH OTHER WARRANTIES ARE HEREBY DISCLAIMED.**

EQUIPMENT LIMITED WARRANTY

Diamond Products warrants all products manufactured by it against defects in material and workmanship under normal use and service for a period of one (1) year from the date of shipment to Customer. **The responsibility of Diamond Products under this Warranty is limited to replacement or repair of defective parts at Diamond Products' Elyria, Ohio factory, or at a point designated by it, of such parts as shall appear to us upon inspection at such point, to have been defective in material or workmanship, with expense for transportation and labor born by Customer. In no event shall Diamond Products be liable for consequential or incidental damages arising out of the failure of any product to operate properly. Integral units such as gasoline engines, electric motors, batteries, tires, transmissions, etc., are excluded from this Warranty and are subject to prime manufacturer's warranty.**

**THIS WARRANTY IS IN LIEU OF ALL OTHER WARRANTIES EXPRESSED OR IMPLIED,
AND ALL SUCH OTHER WARRANTIES ARE HEREBY DISCLAIMED.**

ABRASIVES LIMITED WARRANTY

Diamond Products Limited warrants all of its abrasive products against defects in material and workmanship for a period of one (1) year from the date of shipment to Customer.

The warranty does not cover any products which Diamond Products determines to have been used in an improper application, subjected to negligent abuse, improperly mounted, altered, involved in a non-application accident or miscellaneous damaged. **The responsibility of Diamond Products under this Warranty is limited to repair or replacement at Diamond Products' option free of charge. In no event shall Diamond Products be liable for consequential or incidental damages.** This warranty includes all labor, parts and shipping costs via UPS ground. Proof of purchase in the form of an invoice showing the date of shipment to be within one (1) year must accompany all warranty claims. Diamond Products reserves the right to prorate any warranty claim based upon a percentage of product life prior to the failure in question.

**THIS WARRANTY IS IN LIEU OF ALL OTHER WARRANTIES EXPRESSED OR IMPLIED,
AND ALL SUCH OTHER WARRANTIES ARE HEREBY DISCLAIMED.**



HIGHWAY GROOVING MACHINERY LIMITED WARRANTY

Diamond Products Limited makes the following limited warranty:

Diamond Products warrants each new and unused grooving or grinding machine and accessory equipment sold by it (except items not manufactured by Diamond Products such as engines, pumps, transmissions, and other trade accessories sold with, attached to, or operated with Diamond Products' products), to be free from defects in material and workmanship under normal use and service for one (1) year from the date of shipment from the Diamond Products factory, the obligation under this warranty being limited to the replacement or repair at the Diamond Products factory, or at a point designated by it, of such parts as shall appear to it upon inspection at such point to have been defective in material or workmanship at the time sold, provided that the parts or parts claimed defective are returned to inspection points, transportation charges prepaid.

If after inspection of the returned products, Diamond Products determines that the defect is a result of misuse, mishandling, installation, abnormal conditions of operation, unauthorized repair or modification, or due to the Buyer's failure to install, maintain or operate the product in compliance with the written instructions, all expenses incurred by Diamond Products in connection with the replacement or repair of the product shall be for the account of the Buyer. Any product returned to Diamond Products for replacement shall become the property of Diamond Products.

The Buyer shall be responsible for all costs of shipping, customs clearance and other related charges in connection with Diamond Products' replacement or repair of products located outside the continental United States pursuant to the limited warranty.

This warranty applies only to new and unused grooving or grinding machines and accessory equipment which after shipment from the Diamond Products factory have not been altered, changed or repaired in any manner. **Maintenance items, such as filters, V-belts, air cleaners, wheels or Blade shaft bearings, are not covered under this warranty.** The validity, performance and interpretation of the limited warranty shall be governed by the internal laws (and not the laws of conflicts) of the State of Ohio. All disputes arising in connection with the limited warranty shall be resolved, if not sooner settled, by a court of competent jurisdiction located in Canyon County, Idaho, U.S.A.

Exclusive Remedy:

Replacement or repair of the Diamond Products' products as provided under this warranty is the Buyer's exclusive remedy. This exclusive remedy will not be deemed to have failed of its essential purpose so long as Diamond Products is willing and able to replace or repair any defective product in the prescribed manner. In the event Diamond Products fails to replace or repair the product as aforesaid, Diamond Products' entire liability shall not exceed the amount paid by the Buyer to Diamond Products for its purchase of the defective product.

Limitations on Warranty:

In no event shall Diamond Products be liable for any indirect, special, incidental, consequential or other damages, including but not limited to damage to or loss of property or equipment, lost revenues or profits, or harm to goodwill or business reputation directly or indirectly arising from the sale, handling or use of the product, or from any other cause relating thereto and Diamond Products' liability hereunder. Diamond Products shall not be liable to the Buyer for any claims, demand, injuries, damages, actions or causes of action what so ever based on negligence or strict liability.

Exclusions of Warranties:

Diamond Products, Limited makes no warranty that the products sold hereunder shall be merchantable or that such products shall be fit for any particular purpose. Moreover, Diamond Products makes no express or implied warranties except for the Limited Warranty outlined above. In addition, no representation or warranty, express or implied, made by any distributor, sales representative, or field agent of Diamond Products which is not specifically set forth herein shall be binding on Diamond Products.

**THIS WARRANTY IS IN LIEU OF ALL OTHER WARRANTIES EXPRESSED OR IMPLIED,
AND ALL SUCH OTHER WARRANTIES ARE HEREBY DISCLAIMED.**

PLACING ORDERS

Call: 1-800-321-5336

FAX: 1-800-634-4035

Our Customer Service Representative Will Need:

- Company name and billing address
- Your Purchase Order No. and/or name
- Resale, Tax or other special situations
- Shipping address, if different
- Your Diamond Products Customer #
- Special Instructions
- Email address
- Date Needed
- Product(s) desired:

Example:

<u>Quantity</u>	<u>Catalog #</u>	<u>Description</u>
1	12462	4" X .250 Standard Gold Dry Tuck Point Blade
1	39317	M-1 with CB733 Complete Combo Rig

CUSTOMER SERVICE POLICIES

FAST PAY DISCOUNT:

A Fast Pay Cash Discount will be allowed when payment is received in Elyria, Ohio within the terms specified on your invoice.

SALES TAX:

Sales tax will be charged where applicable unless a tax exemption certificate is provided.

REPAIRS:

Items returned for repair should be carefully packaged and accompanied by a Packing Slip with the following information:

- (RGA) number obtained from the Returns Dept. or Customer Service Dept.
- Your company name, address, phone and email
- List of items for repair
- Returned Goods Authorization
- Explanation of repair(s) needed
- Original invoice (warranty only)

TRIAL POLICY:

Purchase orders are requested and full payment is expected on all trial materials. Trials will be invoiced on the basis of normal ordering quantity that the customer is expected to purchase if the trial is successful. Orders must specify the exact number normally purchased and be invoiced on that basis. Trials proving only partially satisfactory, but usable, will be credited on the basis of the value received. Trials proving completely unsatisfactory receive full credit. The efficiency of the trial performance is the decision of the customer.

REPLACEMENT/REFUND:

All catalog items returned to stock are subject to a 15% restocking fee. Non-catalog items, special order items and any item beyond two (2) years from original invoice date are subject to a mandatory 50% restocking fee. Discontinued items and/or items purchased beyond four (4) years from original invoice date cannot be returned. Items returned for replacement or refund should be in original cartons and must be accompanied by a packing slip with the following information:

- Returned Goods Authorization (RGA) number obtained from Returns Dept or Customer Service Dept.
- List of items returned
- Reason(s) for return(s)
- Copy of original invoice(s)

FREIGHT POLICY:

Freight is paid on orders that include the following:

- **Three or more pieces of complete equipment** (*shipped within the continental U.S. is freight paid including FastCut® saws, hydraulic hand saws, CB500 hand held motor, Weka® hand held drill motors and hydraulic/pneumatic hand held motors. Applies to hand held motors only - not mounted motors. Parts not included*)
- **Diamond blades, bits and abrasive orders totaling \$400.00 or more net.** (*freight paid via ground or truck -excluding carbide core bits and threaded caps and barrels. Premium shipping (i.e. 2nd day or overnight is always charged.)*)
- **Diamond blade, bits and abrasive orders totaling \$800.00 or more net that include equipment parts** (*freight paid via ground or truck. Parts on the same order will be freight paid but must have the \$800.00 in diamond tools included. Factory freight fee is waived under this guideline. This does not apply to: transmissions, motors or engines, hydraulic pumps or fuel cases. This also does not apply to equipment parts from our Nampa, ID facility.*)

Other Freight Policy Details:

Equipment being picked up or shipped from a warehouse is subject to additional freight charges. Equipment parts are charged freight. Shipments to Puerto Rico have a minimum of \$4,000 (abrasives), \$3,000 (diamond blades and bits).

Diamond Products Limited reserves the right to update pricing as needed during the catalog effective dates.

Call (800) 321-5336

To open your internet account for order status, shipping information, order confirmation or net pricing register online at: www.diamondproducts.com

Manufacturers of Diamond Blades, Core Bore and
Equipment for the Construction Industry

CORE CORE
CUT BORE
CORE CORE
PROP VAC

TYROLL



U.S.A. Pricing
Valid January 6, 2020
to January 6, 2021

Quality Is Choice

Diamond Products Limited
333 Prospect St., Elyria, Ohio 44035
Toll Free: 800-321-5336
Fax: 800-634-4035